



Interface Modules & Accessories

CE 

SIMPLY SOLUTIONS





Interface Modules & Accessories



SIMPLY SOLUTIONS



Interface Modules & Accessories

Our Interface Module range consists of standard 1,2,4,8 & 16 Channel relay modules, CNC module, Digital output module, Accessory module & Passive module. It includes DC as well as AC coil relay cards available with options like fuse and indicators. Interface Module range also includes the SSR modules and economy modules.

Relay module with ultra slim relay have been introduced to compact the size of module. Passive module range consists of modules with FRC connectors, D-Sub connectors, Rack & Panel connectors & RJ45 connectors.

We also provide customised solutions of controller boards and system cables to meet special requirements.



CONTENTS

1 Section

Relay Module - Electromechanical Type

4-25

- 1C/O - Coil Voltage 24V DC/12V DC/48V DC/110V DC..... 4-5
- 2C/O - Coil Voltage 24V DC/12V DC/48V DC/110V DC..... 6-7
- 4C/O - Coil Voltage 24V DC/12V DC/48V DC/110V DC/220V DC..... 8-9
- 1C/O - Coil Voltage 230V AC/110V AC/24V AC..... 10-11
- 2C/O - Coil Voltage 230V AC/110V AC/24V AC..... 12-13
- 1C/O with Fuse at Output - Coil Voltage 24V DC/12V DC/48V DC/110V DC..... 14-15
- 2C/O with Fuse at Output - Coil Voltage 24V DC/12V DC/48V DC/110V DC..... 16-17
- 1C/O with Fuse & Fuse Fail Indication at Output-
Coil Voltage 24V DC/12V DC/48V DC/110V DC..... 18-19
- 2C/O with Fuse and Fuse Fail Indication at Output-
Coil Voltage 24V DC/12V DC/48V DC/110V DC..... 20-21
- Compact Electromechanical Relay Module..... 22-23
- Customised Modules..... 24-25

2 Section

Relay Module - Solid State Type

28-41

- Input Voltage 24V DC, Output Voltage 24V DC with Green LED at Input..... 28-29
- Input Voltage 24V DC, Output Voltage 24V DC with Fuse & Fuse Fail Indication at Output..... 30-31
- Input Voltage 24V DC, Output Voltage 24V DC with Fuse & Fuse Fail Indication
at Output with SSR pluggable..... 32-33
- Input Voltage 24V DC, Output Voltage 240V AC with Green LED at Input..... 34-35
- Input Voltage 24V DC, Output Voltage 240V AC with Fuse & Fuse Fail Indication at Output..... 36-37
- Compact Solid State Relay Module with SSR pluggable..... 38-39
- Customised Modules..... 40-41

3 Section

Passive Module & Accessory Module

44-57

Passive Module

44-51

- Passive Module with FRC Connector..... 44-45
- Passive Module with D-Sub Connector..... 46-47
- Passive Module with ELCO Connector..... 48-49
- Passive Module with RJ45 Connector..... 50-51

Accessory Module

52-57

- Utility Module..... 52-53
- Potential Distribution Module..... 54-55
- Diode O-ring Module..... 56-57

4 Section

DO/DI Module & CNC Module

60-67

DO/DI Module

60-65

- 16 Channel Digital Output Module with FRC connector..... 60-61
- 16 Channel Digital Output Module with D-Sub connector..... 62-63
- 16 Channel Digital Input Module with D-Sub connector..... 64-65

CNC Module

66-67

- CNC Module with 24 Inputs and 16 Outputs..... 66-67

5 Section

Cable Assembly & Components for Interface Modules

70-78

Cable Assembly

70-71

- With FRC, D-Sub and EDAC Connectors..... 70-71

Components for Interface Modules

72-78

- DIN Rail Mounted PCB Support, Fuse Holders, Connectors,
Electromechanical Relays, Solid State Relays..... 72-78





1

Section

Relay Module - Electromechanical Type

4-25

- 1C/O - Coil Voltage 24V DC/12V DC/48V DC/110V DC..... 4-5
- 2C/O - Coil Voltage 24V DC/12V DC/48V DC/110V DC..... 6-7
- 4C/O - Coil Voltage 24V DC/12V DC/48V DC/110V DC/220V DC..... 8-9
- 1C/O - Coil Voltage 230V AC/110V AC/24V AC.....10-11
- 2C/O - Coil Voltage 230V AC/110V AC/24V AC.....12-13
- 1C/O with Fuse at Output - Coil Voltage 24V DC/12V DC/48V DC/110V DC.....14-15
- 2C/O with Fuse at Output - Coil Voltage 24V DC/12V DC/48V DC/110V DC.....16-17
- 1C/O with Fuse & Fuse Fail Indication at Output-
Coil Voltage 24V DC/12V DC/48V DC/110V DC..... 18-19
- 2C/O with Fuse and Fuse Fail Indication at Output-
Coil Voltage 24V DC/12V DC/48V DC/110V DC.....20-21
- Compact Electromechanical Relay Module.....22-23
- Customised Modules.....24-25

RELAY MODULE - ELECTROMECHANICAL TYPE

1C/O - COIL VOLTAGE 24V DC/12V DC/48V DC/110V DC

Main Features

- Relay module with 16/8/4/2/1 miniature relays.
- Coil voltage 24V DC/12V DC/48V DC/110V DC.
- 1 change over.
- Freewheeling diode across relay coil for protection.
- Jumpers are provided for selection between positive looping/negative looping.
- Mounting DIN 35 carrier rail.

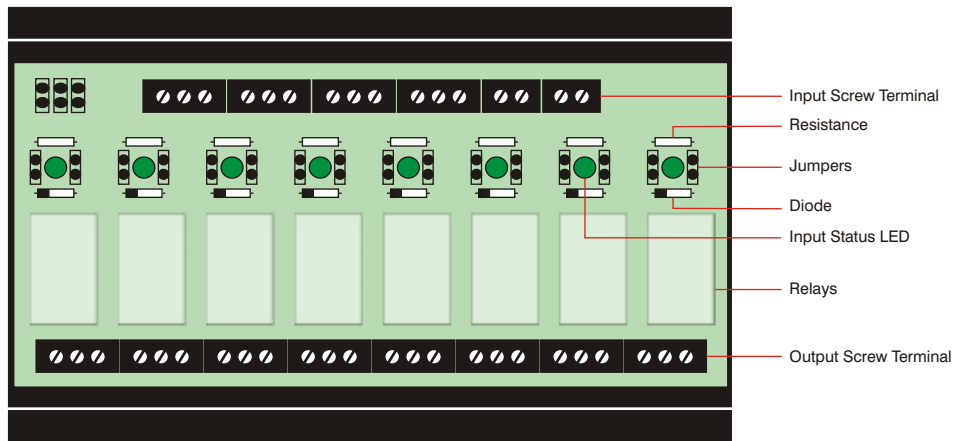


TECHNICAL SPECIFICATION	
COIL DATA	
Voltage	24V DC 12V DC 48V DC 110V DC
Input current	21.8 mA 43.6 mA 11.5 mA 5.3 mA
Coil resistance	1100 Ω 275 Ω 4170 Ω 18860 Ω
CONTACT DATA	
1CO	
No. of contact	1 PDT
Rated load (Resistive) (Inductive)	10A, 250V AC/30V DC 5A 30V DC/7.5A, 250V AC
Contact resistance	30 mΩ max
GENERAL DATA	
Relay	Omron, IDEC, Tyco or equivalent
Module height (H)	75 mm
Module depth (D)	90 mm
Color	Black
Operating temperature	0°C to 50°C
Storage temperature	-10°C to 60°C
Relative humidity	5 to 95% RH
Indication	Green LED for input status
Protection	Freewheeling diode across relay coil
Looping on coil side	Common, remove all jumpers to make relay independent
CONNECTION DATA	
Type of connection	Screw connection (PCB terminals block)
Make	Phoenix Contact
Nominal current carrying capacity	24A for single level & 22A for double level
Rated voltage capacity	250V
Conductor cross section solid	Min/Max 0.2/4.0 mm ²
Conductor cross section stranded	Min/Max 0.2/2.5 mm ²

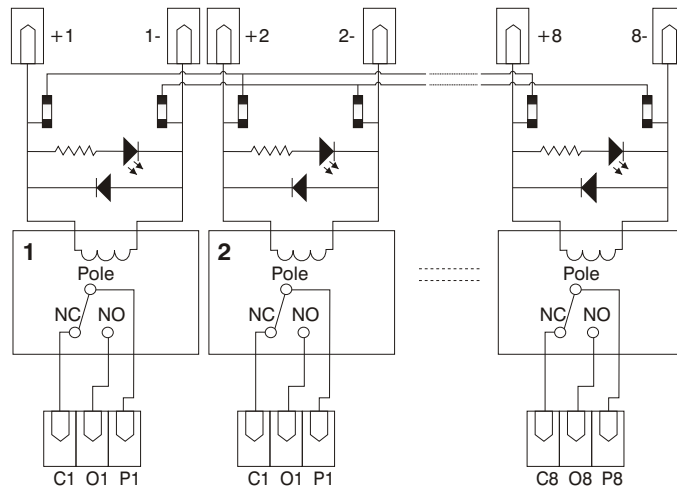
1C/O - COIL VOLTAGE 24V DC/12V DC/48V DC/110V DC

MODEL	Article No.	No. of relay	Module length	Pcs./Pkt.
TT-IMRB-16024D1S-C	01 17 02665	16	253 mm	01
TT-IMRB-08024D1S-C	01 17 02396	08	128 mm	01
TT-IMRB-08024D1S-C (Relays directly soldered)	01 17 02397	08	128 mm	01
TT-IMRB-08024D1S-C(sealed)	01 17 03009	08	128 mm	01
TT-IMRB-08024D1S-C(G2RL sealed)	01 17 03106	08	128 mm	01
TT-IMRB-08012D1S-C	01 17 03634	08	128 mm	01
TT-IMRB-04024D1S-C	01 17 02617	04	66 mm	01
TT-IMRB-04024D1S-C (Relays directly soldered)	01 17 02852	04	66 mm	01
TT-IMRB-04012D1S-C	01 17 03635	04	66 mm	01
TT-IMRB-02024D1S-C	01 17 02664	02	37 mm	02
TT-IMRB-01024D1S	01 17 02733	01	24 mm	04
TT-IMRB-01024D1 (Relays directly soldered)	01 17 02917	01	24 mm	04

Layout of TT-IMRB-08024D1S-C



Connection Diagram of TT-IMRB-08024D1S-C



RELAY MODULE - ELECTROMECHANICAL TYPE

2C/O - COIL VOLTAGE 24V DC/12V DC/48V DC/110V DC

Main Features

- Relay module with 16/8/4/2/1 miniature relays.
- With base (Relay-pluggable).
- Coil voltage 24V DC/12V DC/48V DC/110V DC.
- 2 change over.
- Freewheeling diode across relay coil for protection.
- Jumpers are provided for selection between positive looping/negative looping.
- Mounting DIN 35 carrier rail.

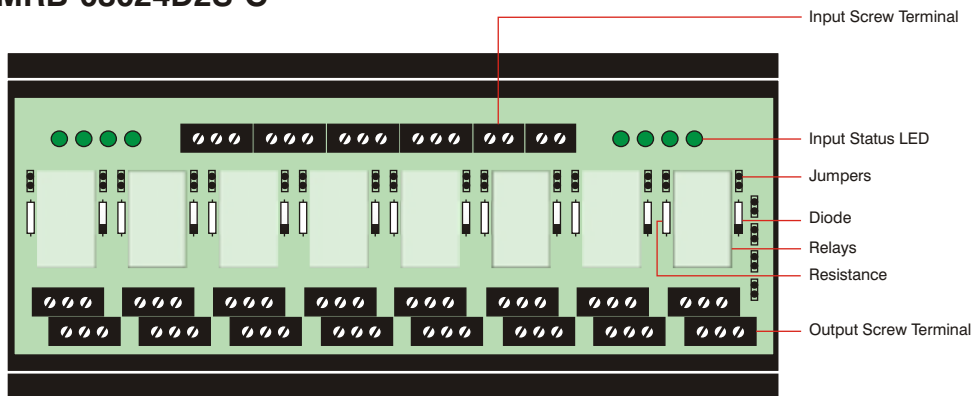


TECHNICAL SPECIFICATION	
COIL DATA	
Voltage	24V DC 12V DC 48V DC 110V DC
Input current	21.8 mA 43.6 mA 11.5 mA 5.3 mA
Coil resistance	1100 Ω 275 Ω 4170 Ω 18860 Ω
CONTACT DATA	
2CO	
No. of contact	2 PDT
Rated load (Resistive) (Inductive)	5A, 250V AC/30V DC 3A 30V DC/2A, 250V AC
Contact resistance	50 mΩ max
GENERAL DATA	
Relay	Omron, IDEC, Tyco or equivalent
Module height (H)	75 mm
Module depth (D)	90 mm
Color	Black
Operating temperature	0°C to 50°C
Storage temperature	-10°C to 60°C
Relative humidity	5 to 95% RH
Indication	Green LED for input status
Protection	Freewheeling diode across relay coil
Looping on coil side	Common, remove all jumpers to make relay independent
CONNECTION DATA	
Type of connection	Screw connection (PCB terminals block)
Make	Phoenix Contact
Nominal current carrying capacity	24A for single level & 22A for double level
Rated voltage capacity	250V
Conductor cross section solid	Min/Max 0.2/4.0 mm ²
Conductor cross section stranded	Min/Max 0.2/2.5 mm ²

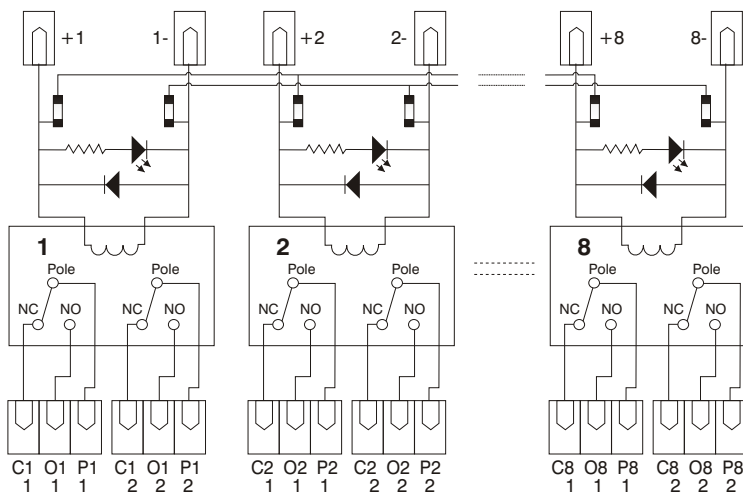
2C/O - COIL VOLTAGE 24V DC/12V DC/48V DC/110V DC

MODEL	Article No.	No. of relay	Module length	Pcs./Pkt.
TT-IMRB-16024D2S-C	01 17 02742	16	368 mm	01
TT-IMRB-08024D2S-C	01 17 02638	08	182 mm	01
TT-IMRB-08024D2-C	01 17 02851	08	182 mm	01
TT-IMRB-08024D2S-C(sealed)	01 17 03070	08	182 mm	01
TT-IMRB-08024D2S-C(G2RL sealed)	01 17 03098	08	182 mm	01
TT-IMRB-08024D2S-C(RT sealed)	01 17 03097	08	182 mm	01
TT-IMRB-08012D2S-C	01 17 03258	08	182 mm	01
TT-IMRB-04024D2S-C	01 17 02637	04	105 mm	01
TT-IMRB-04024D2-C	01 17 02853	04	105 mm	01
TT-IMRB-04012D2S-C	01 17 03636	04	105 mm	01
TT-IMRB-02024D2S-C	01 17 02666	02	54 mm	02
TT-IMRB-02012D2S-C	01 17 03429	02	54 mm	02
TT-IMRB-01024D2S	01 17 01046	01	27 mm	04
TT-IMRB-01024D2	01 17 04007	01	27 mm	04

Layout of TT-IMRB-08024D2S-C



Connection Diagram of TT-IMRB-08024D2S-C



RELAY MODULE - ELECTROMECHANICAL TYPE

4C/O - COIL VOLTAGE 24V DC/12V DC/48V DC/110V DC/220V DC

Main Features

- Relay module with 8/4/2 miniature relays.
- With base (Relay-pluggable).
- Coil voltage 24V DC/12V DC/48V DC/110V DC/220V DC.
- 4 change over.
- Freewheeling diode across relay coil for protection.
- Jumpers are provided for selection between positive looping/negative looping.
- Mounting DIN 35 carrier rail.

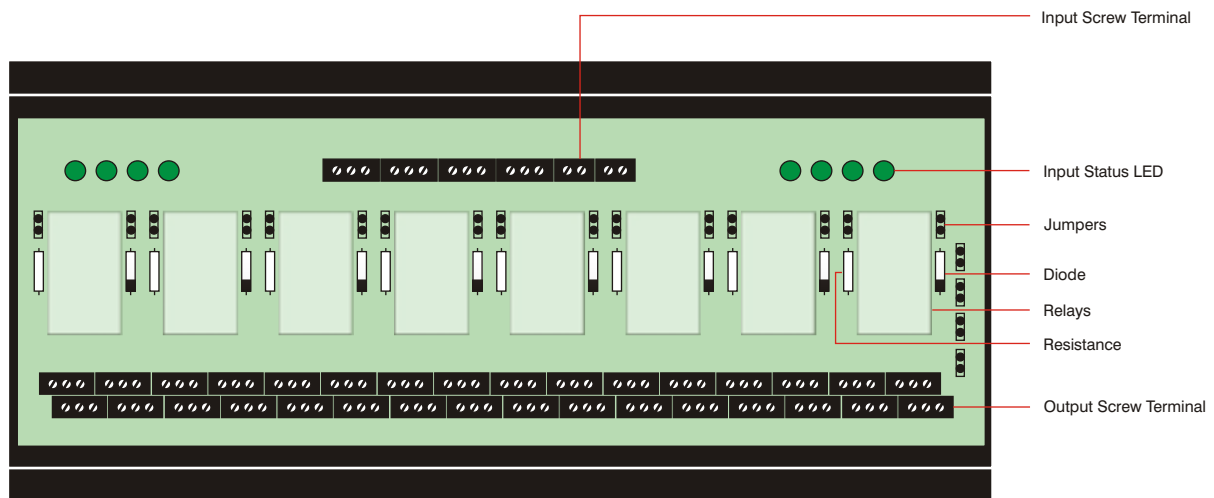


TECHNICAL SPECIFICATION	
COIL DATA	
Voltage	24V DC 12V DC 48V DC 110V DC 220V DC
Input current	37.7 mA 75 mA 18.8 mA 9.9 mA 3.6 mA
Coil resistance	636 Ω 160 Ω 2560 Ω 11100 Ω 60394 Ω
CONTACT DATA	
4CO	
No. of contact	4 PDT
Rated load (Resistive) (Inductive)	3A, 250V AC/30V DC 1.5A 30V DC/0.8A, 250V AC
Contact resistance	100 mΩ max
GENERAL DATA	
Relay	Omron, IDEC, Tyco or equivalent
Module height (H)	75 mm
Module depth (D)	90 mm
Color	Black
Operating temperature	0°C to 50°C
Storage temperature	-10°C to 60°C
Relative humidity	5 to 95% RH
Indication	Green LED for input status
Protection	Freewheeling diode across relay coil
Looping on coil side	Common, remove all jumpers to make relay independent
CONNECTION DATA	
Type of connection	Screw connection (PCB terminals block)
Make	Phoenix Contact
Nominal current carrying capacity	24A for single level & 22A for double level
Rated voltage capacity	250V
Conductor cross section solid	Min/Max 0.2/4.0 mm ²
Conductor cross section stranded	Min/Max 0.2/2.5 mm ²

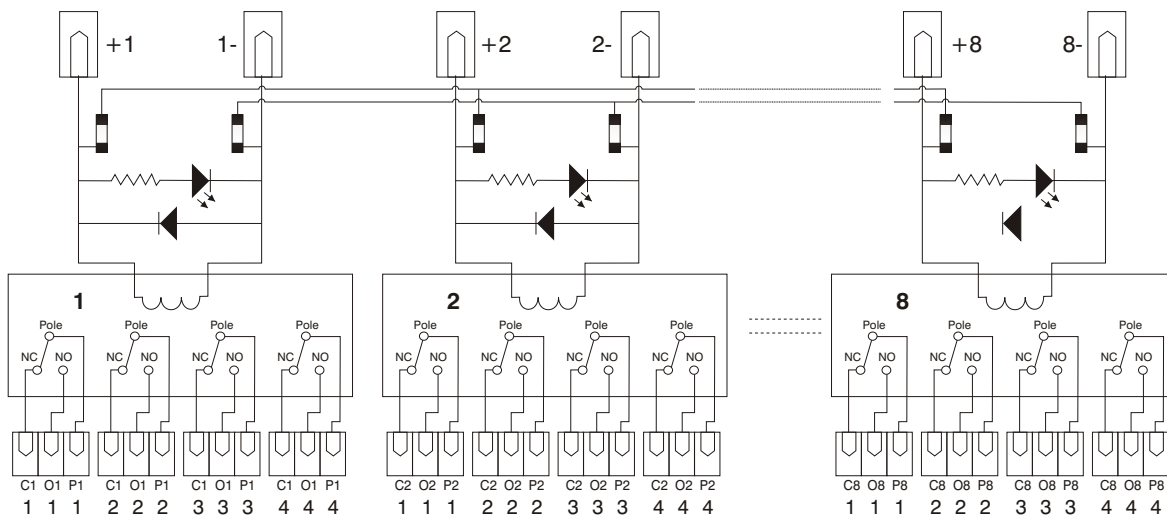
4C/O - COIL VOLTAGE 24V DC/12V DC/48V DC/110V DC/220V DC

MODEL	Article No.	No. of relay	Module length	Pcs./Pkt.
TT-IMRB-08024D4S-C	01 17 03089	08	259 mm	01
TT-IMRB-04024D4S-C	01 17 03090	04	131 mm	01
TT-IMRB-02024D4S-C	01 17 03091	02	68 mm	01

Layout of TT-IMRB-08024D4S-C



Connection Diagram of TT-IMRB-08024D4S-C



RELAY MODULE - ELECTROMECHANICAL TYPE

1C/O - COIL VOLTAGE 230V AC/110V AC/24V AC

Main Features

- Relay module with 16/8/4/2/1 electromechanical relays.
- With base (Relay-pluggable).
- 1 change over.
- Freewheeling diode across relay coil for protection.
- Mounting DIN 35 carrier rail.

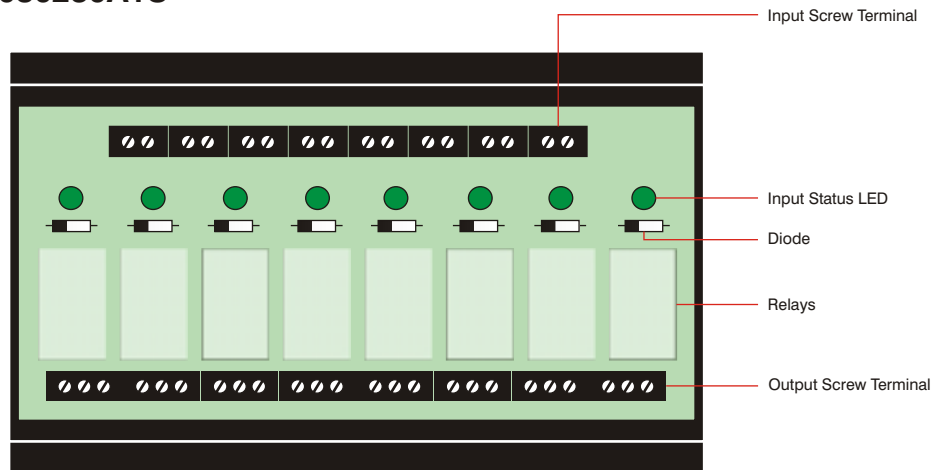


TECHNICAL SPECIFICATION			
COIL DATA			
Coil voltage	230V AC	110V AC	24V AC
Input current (50 Hz)	4.7 mA	11 mA	46.5 mA
Power consumption	0.9 VA-50Hz	0.9 VA-50Hz	0.9 VA-50Hz
Coil resistance	26,850 Ω	4600 Ω	260 Ω
CONTACT DATA			
1CO			
No. of contact	1 PDT		
Rated load (Resistive)	10A, 250V AC/30V DC		
(Inductive)	5A 30V DC/7.5A, 250V AC		
Contact resistance	30 mΩ max		
GENERAL DATA			
Relay	Omron, IDEC, Tyco or equivalent		
Module height (H)	75 mm		
Module depth (D)	90 mm		
Color	Black		
Operating temperature	0°C to 50°C		
Storage temperature	-10°C to 60°C		
Relative humidity	5 to 95% RH		
Indication	Green LED for input status		
Protection	Free wheeling diode across relay coil		
CONNECTION DATA			
Type of connection	Screw connection (PCB terminals block)		
Make	Phoenix Contact		
Nominal current carrying capacity	24A for single level & 22A for double level		
Rated voltage capacity	250V		
Conductor cross section solid	Min/Max 0.2/4.0 mm ²		
Conductor cross section stranded	Min/Max 0.2/2.5 mm ²		

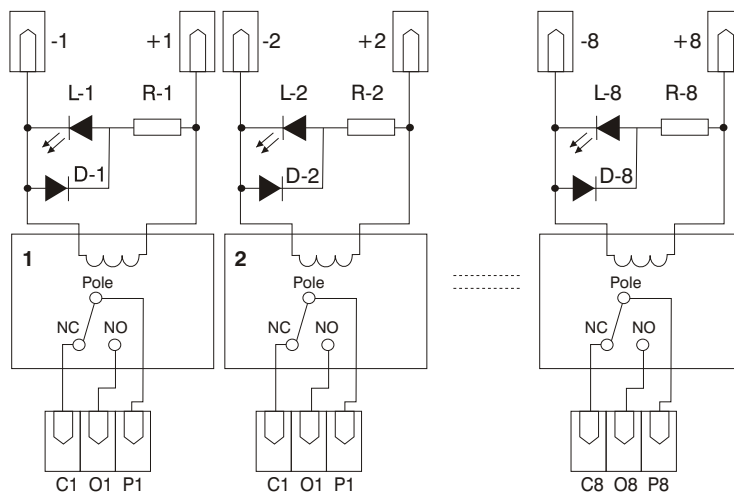
1C/O - COIL VOLTAGE 230V AC/110V AC/24V AC

MODEL	Article No.	No. of relay	Module length	Pcs./Pkt.
TT-IMRB-160230A1S	01 17 02848	16	250 mm	01
TT-IMRB-160110A1S	01 17 02849	16	250 mm	01
TT-IMRB-16024A1S	01 17 02850	16	250 mm	01
TT-IMRB-080230A1S	01 17 02625	08	128 mm	01
TT-IMRB-080110A1S	01 17 02662	08	128 mm	01
TT-IMRB-08024A1S	01 17 02753	08	128 mm	01
TT-IMRB-040230A1S	01 17 02641	04	67 mm	01
TT-IMRB-040110A1S	01 17 02660	04	67 mm	01
TT-IMRB-04024A1S	01 17 02752	04	67 mm	01
TT-IMRB-020230A1S	01 17 02995	02	35 mm	01
TT-IMRB-010230A1S	01 17 03068	01	26 mm	02

Layout of TT-IMRB-080230A1S



Connection Diagram of TT-IMRB-080230A1S



RELAY MODULE - ELECTROMECHANICAL TYPE

2C/O - COIL VOLTAGE 230V AC/110V AC/24V AC

Main Features

- Relay module with 16/8/4/2/1 electromechanical relays.
- With base (Relay-pluggable).
- 2 change over.
- Freewheeling diode across relay coil for protection.
- Mounting DIN 35 carrier rail.

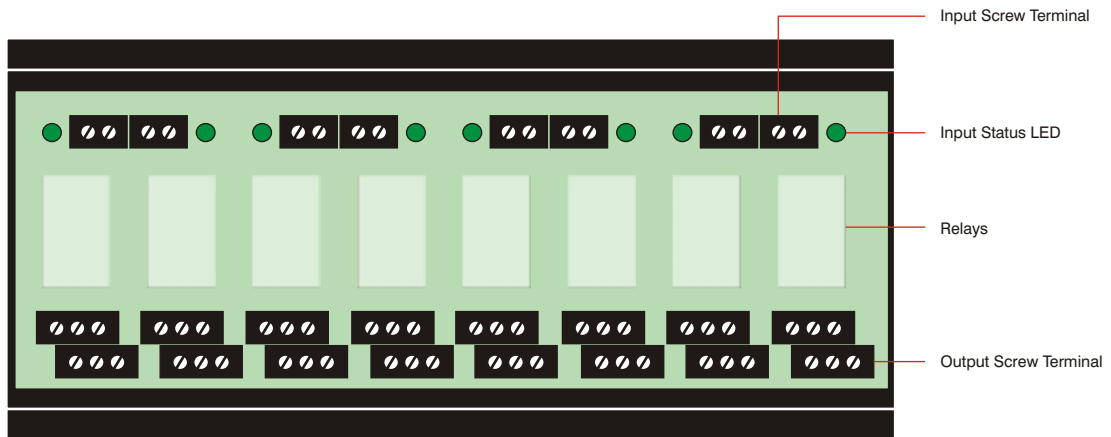


TECHNICAL SPECIFICATION	
COIL DATA	
Coil voltage	230V AC 110V AC 24V AC
Input current (50 Hz)	4.7 mA 11 mA 46.5 mA
Power consumption	0.9 VA-50Hz 0.9 VA-50Hz 0.9 VA-50Hz
Coil resistance	26,850 Ω 4600 Ω 260 Ω
CONTACT DATA	
2CO	
No. of contact	2 PDT
Rated load (Resistive)	5A, 250V AC/30V DC
(Inductive)	3A 30V DC/2A, 250V AC
Contact resistance	50 mΩ max
GENERAL DATA	
Relay	Omron, IDEC, Tyco or equivalent
Module height (H)	75 mm
Module depth (D)	90 mm
Color	Black
Operating temperature	0°C to 50°C
Storage temperature	-10°C to 60°C
Relative humidity	5 to 95% RH
Indication	Green LED for input status
Protection	Free wheeling diode across relay coil
CONNECTION DATA	
Type of connection	Screw connection (PCB terminals block)
Make	Phoenix Contact
Nominal current carrying capacity	24A for single level & 22A for double level
Rated voltage capacity	250V
Conductor cross section solid	Min/Max 0.2/4.0 mm ²
Conductor cross section stranded	Min/Max 0.2/2.5 mm ²

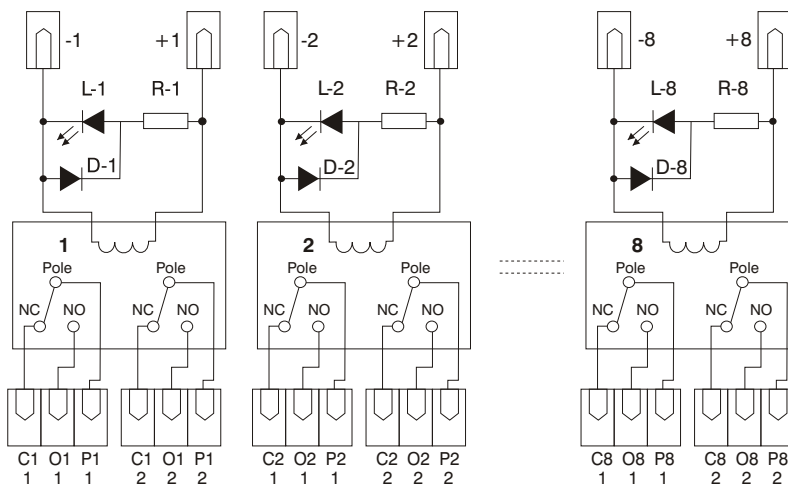
2C/O - COIL VOLTAGE 230V AC/110V AC/24V AC

MODEL	Article No.	No. of relay	Module length	Pcs./Pkt.
TT-IMRB-160230A2S	01 17 02747	16	321 mm	01
TT-IMRB-160110A2S	01 17 02749	16	321 mm	01
TT-IMRB-16024A2S	01 17 02748	16	321 mm	01
TT-IMRB-080230A2S	01 17 02615	08	161 mm	01
TT-IMRB-080110A2S	01 17 02663	08	161 mm	01
TT-IMRB-08024A2S	01 17 02751	08	161 mm	01
TT-IMRB-040230A2S	01 17 02632	04	82 mm	01
TT-IMRB-040110A2S	01 17 02661	04	82 mm	01
TT-IMRB-04024A2S	01 17 02750	04	82 mm	01
TT-IMRB-020230A2S	01 17 02966	02	51 mm	01
TT-IMRB-010230A2S	01 17 03069	01	25 mm	02

Layout of TT-IMRB-080230A2S



Schematic of TT-IMRB-080230A2S



RELAY MODULE - ELECTROMECHANICAL TYPE

1C/O WITH FUSE AT OUTPUT - COIL VOLTAGE 24V DC/12V DC/48V DC/110V DC

Main Features

- Relay module with 4/8/16 miniature relays.
- With base (Relay-pluggable).
- Coil voltage 24V DC/12V DC/48V DC/110V DC.
- 1 change over.
- Freewheeling diode across relay coil for protection.
- Fuse are provided in contact path.
- Jumpers are provided for selection between positive looping/negative looping.
- Mounting DIN 35 carrier rail.

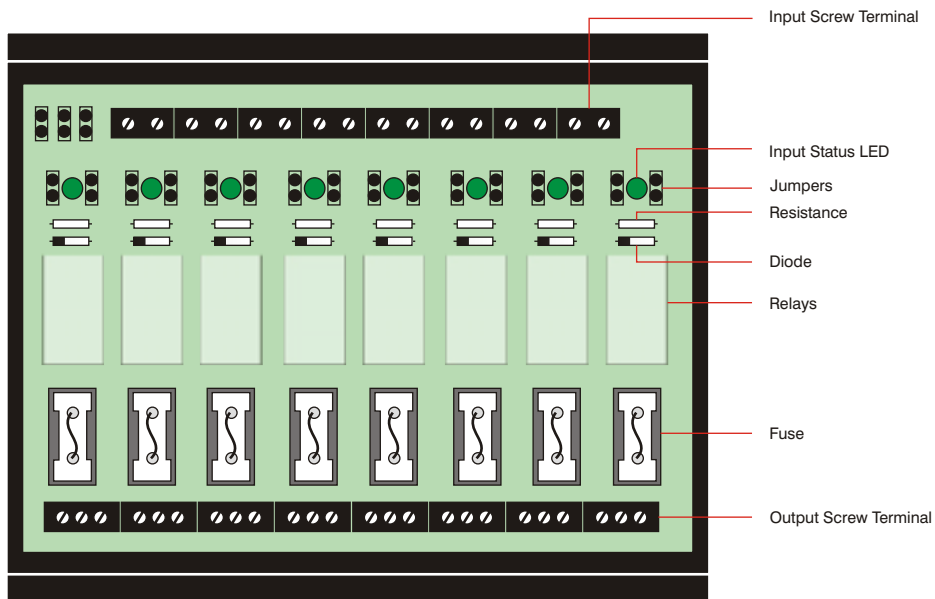


TECHNICAL SPECIFICATION	
COIL DATA	
Voltage	24V DC 12V DC 48V DC 110V DC
Input current	21.8 mA 43.6 mA 11.5 mA 5.3 mA
Coil resistance	1100 Ω 275 Ω 4170 Ω 18860 Ω
CONTACT DATA	
1CO	
No.of contact	1 PDT
Rated load (Resistive)	10A, 250V AC/30V DC
(Inductive)	5A 30V DC/7.5A, 250V AC
Contact resistance	30 mΩ max
GENERAL DATA	
Relay	Omron, IDEC, Tyco or equivalent
Module height (H)	75 mm
Module depth (D)	126 mm
Color	Black
Operating temperature	0°C to 50°C
Storage temperature	-10°C to 60°C
Relative humidity	5 to 95% RH
Indication	Green LED for input status
Fuses	In common path of contact of each relay
Rating	2A (default, to be replaced with suitable fuse as per need
Looping on coil side	Common, remove all jumpers to make relay independent
CONNECTION DATA	
Type of connection	Screw connection (PCB terminals block)
Make	Phoenix Contact
Nominal current carrying capacity	24A for single level & 22A for double level
Rated voltage capacity	250V
Conductor cross section solid	Min/Max 0.2/4.0 mm ²
Conductor cross section stranded	Min/Max 0.2/2.5 mm ²

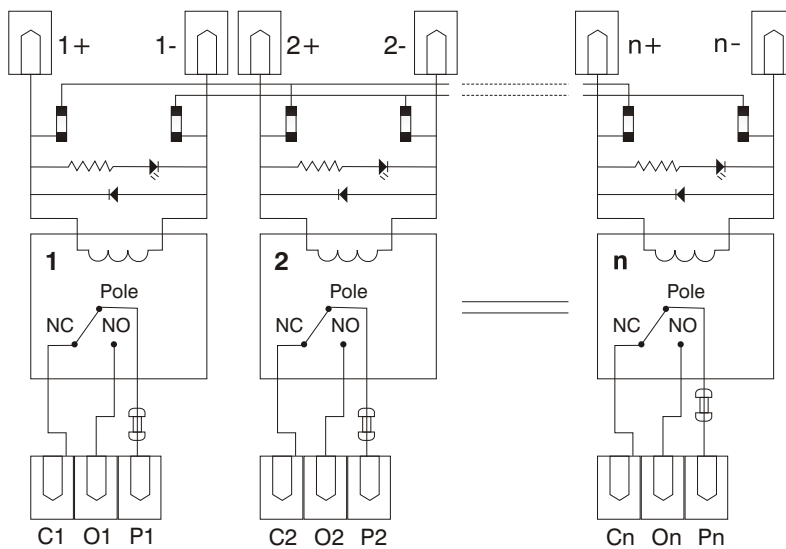
1C/O WITH FUSE AT OUTPUT - COIL VOLTAGE 24V DC/12V DC/48V DC/110V DC

MODEL	Article No.	No. of relay	Module length	Pcs./Pkt.
TT-IMRB-16024D1S-C(F)	01 17 02973	16	252 mm	01
TT-IMRB-08024D1S-C(F)	01 17 02746	08	128 mm	01
TT-IMRB-04024D1S-C(F)	01 17 02745	04	67 mm	01

Layout of TT-IMRB-08024D1S-C(F)



Connection Diagram of TT-IMRB-08024D1S-C(F)



RELAY MODULE - ELECTROMECHANICAL TYPE

2C/O WITH FUSE AT OUTPUT - COIL VOLTAGE 24V DC/12V DC/48V DC/110V DC

Main Features

- Relay module with 4/8/16 miniature relays.
- With base (Relay-pluggable).
- Coil voltage 24V DC/12V DC/48V DC/110V DC.
- 2 change over.
- Freewheeling diode across relay coil for protection.
- Fuse are provided in contact path.
- Jumpers are provided for selection between positive looping/negative looping.
- Mounting DIN 35 carrier rail.

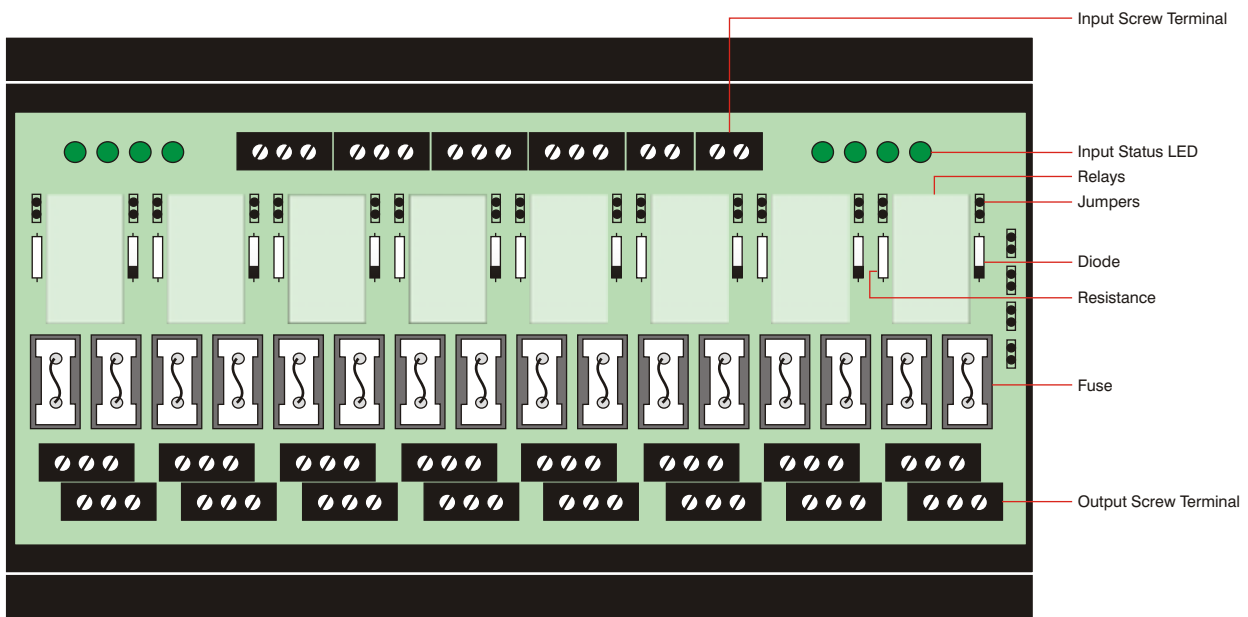


TECHNICAL SPECIFICATION	
COIL DATA	
Voltage	24V DC 12V DC 48V DC 110V DC
Input current	21.8 mA 43.6 mA 11.5 mA 5.3 mA
Coil resistance	1100 Ω 275 Ω 4170 Ω 18860 Ω
CONTACT DATA	
No.of contact	2CO
Rated load (Resistive) (Inductive)	2 PDT 5A, 250V AC/30V DC 3A 30V DC/2A, 250V AC
Contact resistance	50 mΩ max
GENERAL DATA	
Relay	Omron, IDEC, Tyco or equivalent
Module height (H)	75 mm
Module depth (D)	126 mm
Color	Black
Operating temperature	0°C to 50°C
Storage temperature	-10°C to 60°C
Relative humidity	5 to 95% RH
Indication	Green LED for input status
Fuses	In common path of each contact of each relay
Rating	2A (default, to be replaced with suitable fuse as per need)
Looping on coil side	Common, remove all jumpers to make relay independent
CONNECTION DATA	
Type of connection	Screw connection (PCB terminals block)
Make	Phoenix Contact
Nominal current carrying capacity	24A for single level & 22A for double level
Rated voltage capacity	250V
Conductor cross section solid	Min/Max 0.2/4.0 mm ²
Conductor cross section stranded	Min/Max 0.2/2.5 mm ²

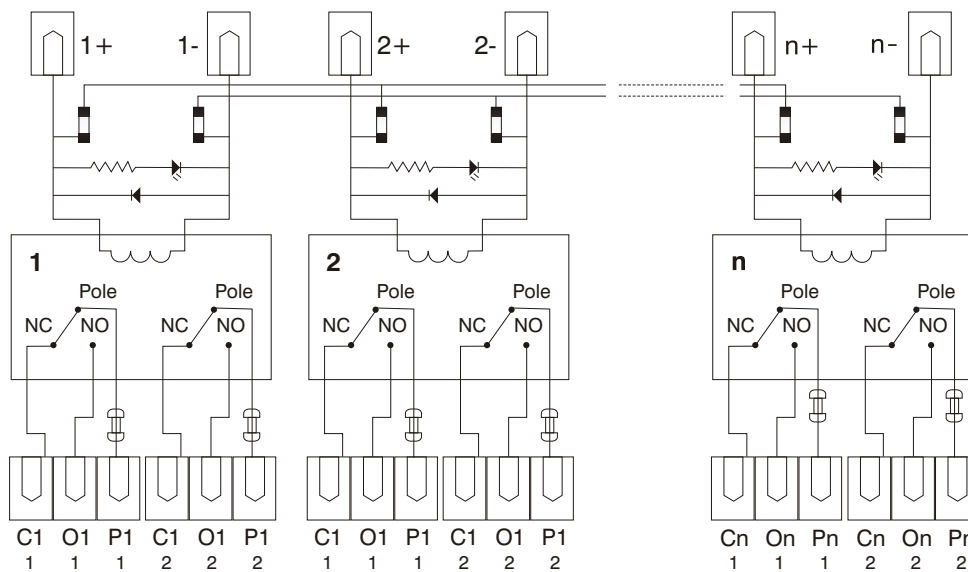
2C/O WITH FUSE AT OUTPUT - COIL VOLTAGE 24V DC/12V DC/48V DC/110V DC

MODEL	Article No.	No. of relay	Module length	Pcs./Pkt.
TT-IMRB-16024D2S-C(F)	01 17 02994	16	369 mm	01
TT-IMRB-08024D2S-C(F)	01 17 02922	08	187 mm	01
TT-IMRB-04024D2S-C(F)	01 17 02921	04	96 mm	01

Layout of TT-IMRB-08024D2S-C(F)



Connection Diagram of TT-IMRB-08024D2S-C(F)



RELAY MODULE - ELECTROMECHANICAL TYPE

1C/O WITH FUSE & FUSE FAIL INDICATION AT OUTPUT - COIL VOLTAGE 24V DC/12V DC/48V DC/110V DC

Main Features

- Relay module with 4/8/16 miniature relays.
- With base (Relay-pluggable).
- Coil voltage 24V DC/12V DC/48V DC/110V DC.
- 1 change over.
- Freewheeling diode across relay coil for protection.
- Fuse with fuse blown indication in contact path.
- Jumpers are provided for selection between positive looping/negative looping.
- Mounting DIN 35 carrier rail.

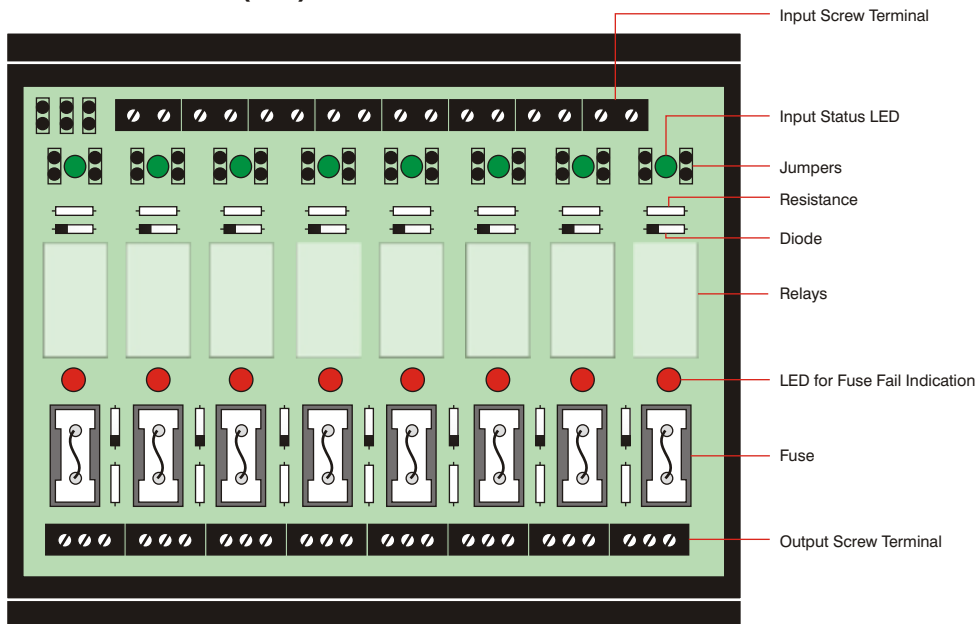


TECHNICAL SPECIFICATION	
COIL DATA	
Voltage	24V DC 12V DC 48V DC 110V DC
Input current	21.8 mA 43.6 mA 11.5 mA 5.3 mA
Coil resistance	1100 Ω 275 Ω 4170 Ω 18860 Ω
CONTACT DATA	
1CO	
No. of contact	1 PDT
Rated load (Resistive) (Inductive)	10A, 250V AC/30V DC 5A 30V DC/7.5A, 250V AC
Contact resistance	30 mΩ max
GENERAL DATA	
Relay	Omron, IDEC, Tyco or equivalent
Module height (H)	75 mm
Module depth (D)	126 mm
Color	Black
Operating temperature	0°C to 50°C
Storage temperature	-10°C to 60°C
Relative humidity	5 to 95% RH
Indication	Green LED for input status, Red LED for fuse fail indication
Fuses	In common path of contact of each relay
Rating	2A (default, to be replaced with suitable fuse as per need)
Looping on coil side	Common, remove all jumpers to make relay independent
CONNECTION DATA	
Type of connection	Screw connection (PCB terminals block)
Make	Phoenix Contact
Nominal current carrying capacity	24A for single level & 22A for double level
Rated voltage capacity	250V
Conductor cross section solid	Min/Max 0.2/4.0 mm ²
Conductor cross section stranded	Min/Max 0.2/2.5 mm ²

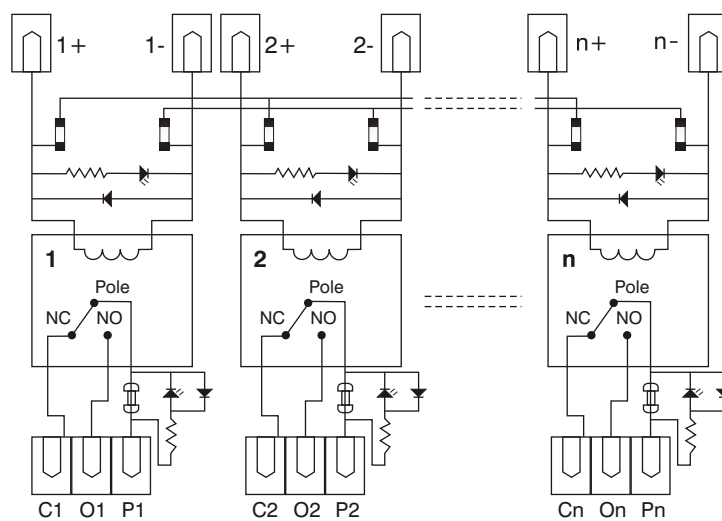
1C/O WITH FUSE & FUSE FAIL INDICATION AT OUTPUT - COIL VOLTAGE 24V DC/12V DC/48V DC/110V DC

MODEL	Article No.	No. of relay	Module length	Pcs./Pkt.
TT-IMRB-16024D1S-C(FFI)	01 17 02926	16	269 mm	01
TT-IMRB-16024D1S-C230(FFI)	-	16	-	01
TT-IMRB-08024D1S-C(FFI)	01 17 02856	08	138 mm	01
TT-IMRB-08024D1S-C230(FFI)	-	08	-	01
TT-IMRB-04024D1S-C(FFI)	01 17 02857	04	73 mm	01
TT-IMRB-04024D1S-C230(FFI)	-	04	-	01

Layout of TT-IMRB-08024D1S-C(FFI)



Connection Diagram of TT-IMRB-08024D1S-C(FFI)



RELAY MODULE - ELECTROMECHANICAL TYPE

2C/O WITH FUSE AND FUSE FAIL INDICATION AT OUTPUT - COIL VOLTAGE 24V DC/12V DC/48V DC/110V DC

Main Features

- Relay module with 4/8/16 miniature relays.
- With base (Relay-pluggable).
- Coil voltage 24V DC/12V DC/48V DC/110V DC.
- 2 change over.
- Freewheeling diode across relay coil for protection.
- Fuse with fuse blown indication in contact path.
- Jumpers are provided for selection between positive looping/negative looping.
- Mounting DIN 35 carrier rail.

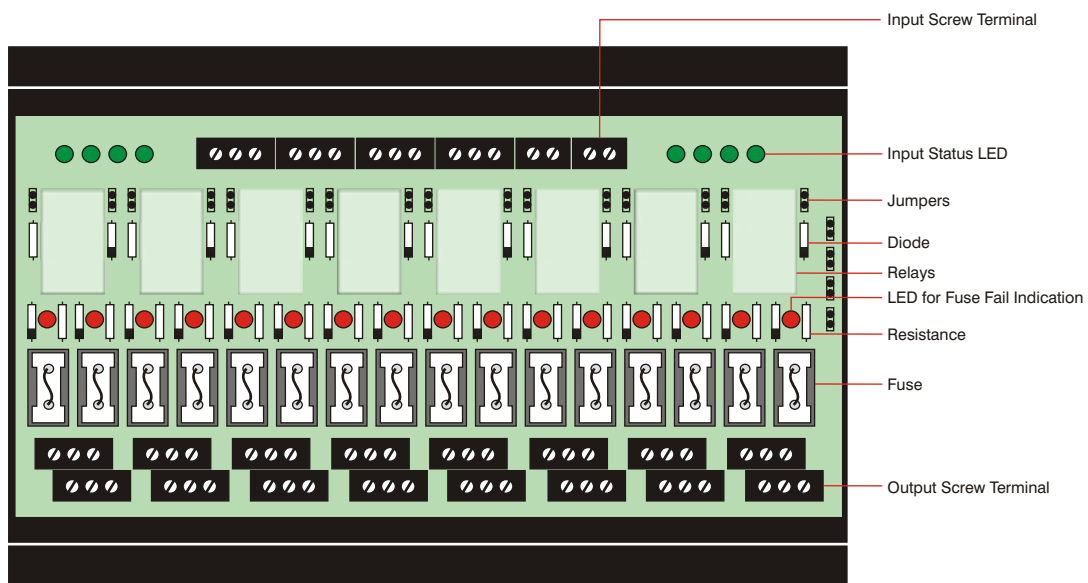


TECHNICAL SPECIFICATION	
COIL DATA	
Voltage	24V DC 12V DC 48V DC 110V DC
Input current	21.8 mA 43.6 mA 11.5 mA 5.3 mA
Coil resistance	1100 Ω 275 Ω 4170 Ω 18860 Ω
CONTACT DATA	
2CO	
No.of contact	2 PDT
Rated load (Resistive) (Inductive)	5A, 250V AC/30V DC 3A 30V DC/2A, 250V AC
Contact resistance	50 mΩ max
GENERAL DATA	
Relay	Omron, IDEC, Tyco or equivalent
Module height (H)	75 mm
Module depth (D)	126 mm
Color	Black
Operating temperature	0°C to 50°C
Storage temperature	-10°C to 60°C
Relative humidity	5 to 95% RH
Indication	Green LED for input status, Red LED for fuse fail indication
Fuses	In common path of each contact of each relay
Rating	2A (default, to be replaced with suitable fuse as per need
Looping on coil side	Common, remove all jumpers to make relay independent
CONNECTION DATA	
Type of connection	Screw connection (PCB terminals block)
Make	Phoenix Contact
Nominal current carrying capacity	24A for single level & 22A for double level
Rated voltage capacity	250V
Conductor cross section solid	Min/Max 0.2/4.0 mm ²
Conductor cross section stranded	Min/Max 0.2/2.5 mm ²

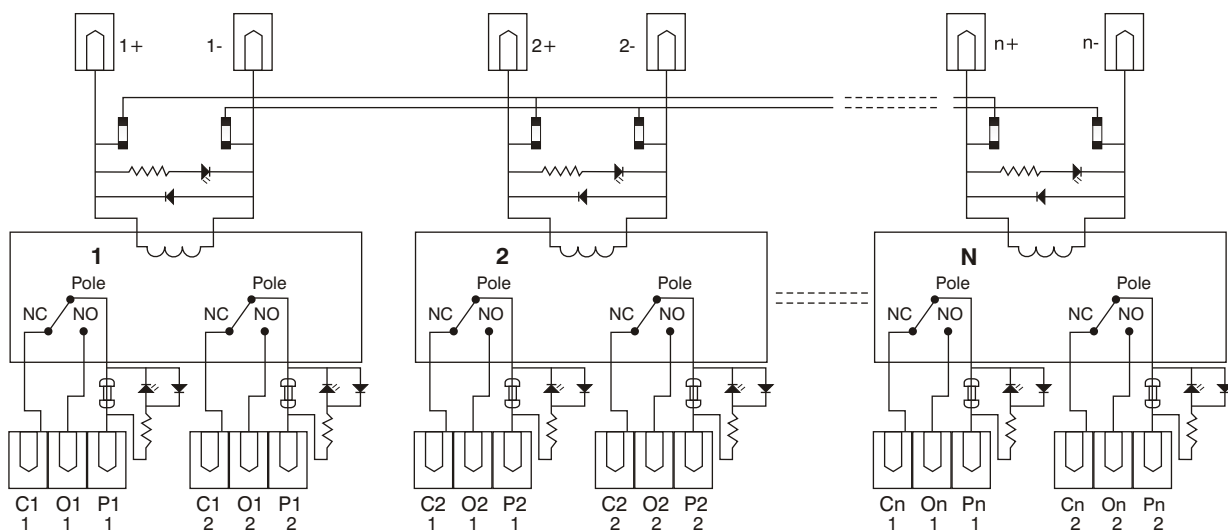
2C/O WITH FUSE AND FUSE FAIL INDICATION AT OUTPUT - COIL VOLTAGE 24V DC/12V DC/48V DC/110V DC

MODEL	Article No.	No. of relay	Module length	Pcs./Pkt.
TT-IMRB-16024D2S-C(FFI)	01 17 02925	16	456 mm	01
TT-IMRB-16024D2S-C230(FFI)	-	16	-	01
TT-IMRB-08024D2S-C(FFI)	01 17 02924	08	232 mm	01
TT-IMRB-08024D2S-C230(FFI)	-	08	-	01
TT-IMRB-04024D2S-C(FFI)	01 17 02923	04	122 mm	01
TT-IMRB-04024D2S-C230(FFI)	-	04	-	01

Layout of TT-IMRB-08024D2S-C(FFI)



Connection Diagram of TT-IMRB-08024D2S-C(FFI)



RELAY MODULE - ELECTROMECHANICAL TYPE

COMPACT ELECTROMECHANICAL RELAY MODULE

Main Features

- Compact relay module with slim electromechanical relays.
- With base (Relay-pluggable).
- 16/8/4 channels.
- Input voltage 24V DC/5V DC/12V DC/48V DC/60V DC.
- Output voltage 24V DC.
- Maximum load current 6A.
- Jumpers are provided for selection between positive looping/negative looping.
- Mounting DIN 35 carrier rail.

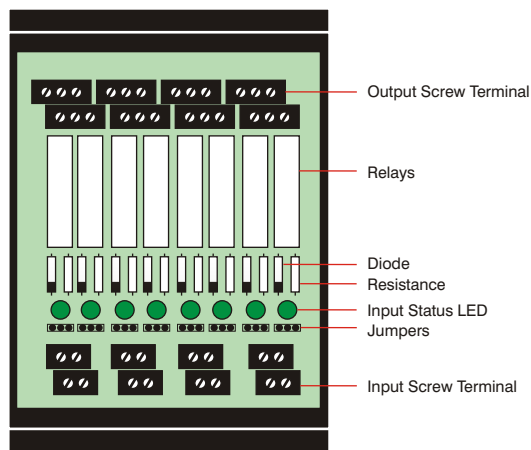


TECHNICAL SPECIFICATION	
COIL DATA	
Control voltage	24V DC 5V DC 12V DC 48V DC 60V DC
Coil resistance	3390 Ω 147 Ω 848 Ω 10600 Ω 20500 Ω
Rated coil power	170 mW 170 mW 170 mW 217 mW 176 mW
OUTPUT DATA	
1CO	
Rated voltage	250V AC
Maximum switching voltage	400V AC
Maximum load current	6A
Maximum operate time	12 ms
Maximum release time	5 ms
RELAY DATA	
Relay	V23092-A1024-A301
Relay type	Slim Electromechanical Relay
Make	Tyco-Schrack
GENERAL DATA	
Housing color	Black
Module height (H)	65 mm
Module depth (D)	126 mm
Operating temperature	0°C to 60°C
Storage temperature	-10°C to 80°C
Indication	Green LED for input status
Looping on coil side	Common, remove all jumpers to make relay independent
CONNECTION DATA	
Type of connection	Screw connection (PCB terminals block)
Make	Phoenix Contact
Nominal current carrying capacity	24A for single level & 22A for double level
Rated voltage capacity	250V
Conductor cross section solid	Min/Max 0.2/4.0 mm ²
Conductor cross section stranded	Min/Max 0.2/2.5 mm ²

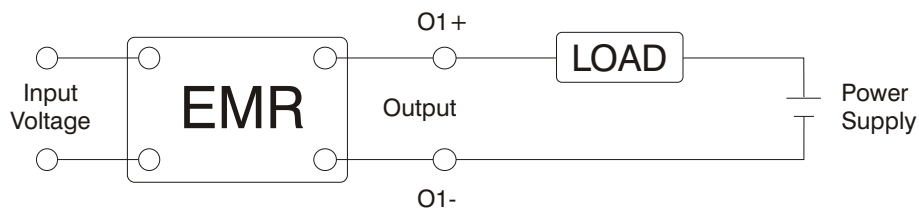
COMPACT ELECTROMECHANICAL RELAY MODULE

MODEL	Article No.	No. of relay	Module length	Pcs./Pkt.
TT-IMRB-08024D1S-C(S-108)	01 17 02964	08	81 mm	01
TT-IMRB-08012D1S-C(S-108)	01 17 03664	08	81 mm	01
TT-IMRB-04024D1S-C(S-108)	01 17 02965	04	43 mm	01
TT-IMRB-04012D1S-C(S-108)	01 17 03663	04	43 mm	01

Layout of TT-IMRB-08024D1S-C(S-108)



Compact EMR Module



RELAY MODULE - ELECTROMECHANICAL TYPE

CUSTOMISED MODULES



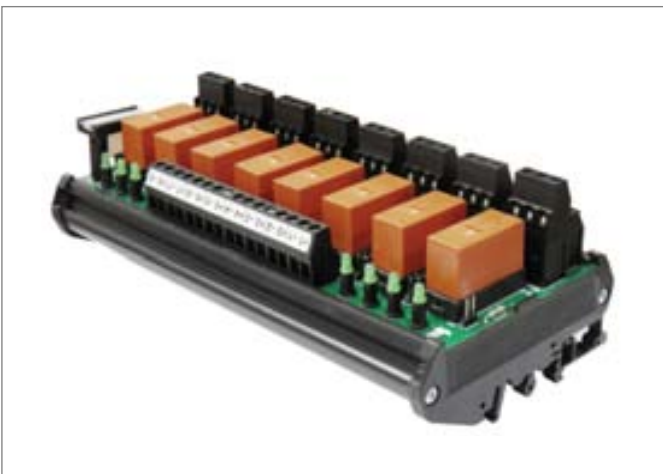
TT-IMRB-08024D1S-C(Sealed)

- 8 channel electromechanical relay module.
- With 1 change over G2R-14 sealed relays.
- Input voltage 24V DC.
- Max. switching current 10A.
- Relay pluggable on socket.



TT-IMRB-080230A1S-IDEC

- 8 channel electromechanical relay module.
- With 1 change over IDEC make RJ1V relays.
- Input voltage 230V AC.
- Max. switching current 12A.
- Relay pluggable on socket.



TT-IMRB-08024D2S-C(RT)

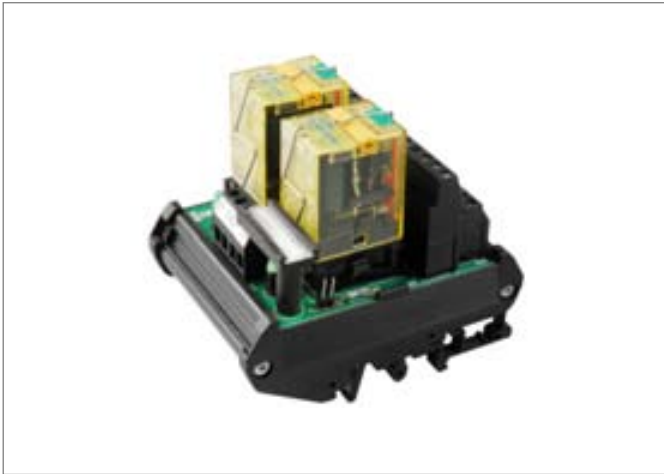
- 8 channel electromechanical relay module.
- With 2 change over Tyco make sealed relays.
- Input voltage 24V DC.
- Max. switching current 8A.
- Relay pluggable on socket.



TT-IMRB-08024D1-C(1NO-OJ)

- 8 channel electromechanical relay module.
- With 1 NO contact, Tyco make OJ-SH relays.
- Input voltage 24V DC.
- Max. switching current 8A.
- Relays directly soldered.

CUSTOMISED MODULES



TT-IMRB-02024D4S-C(RU)

- 2 channel electromechanical relay module.
- With 4 change over IDEC make RU4S relays.
- Input voltage 24V DC.
- Max. switching current 6A.
- Relay pluggable on socket.



TT-IMRB-080230A1S-C(I/P-F)

- 8 channel electromechanical relay module.
- With 1 change over having fuse protection at input side.
- Input voltage 230V AC.
- Max. switching current 10A.
- Relay pluggable on socket.



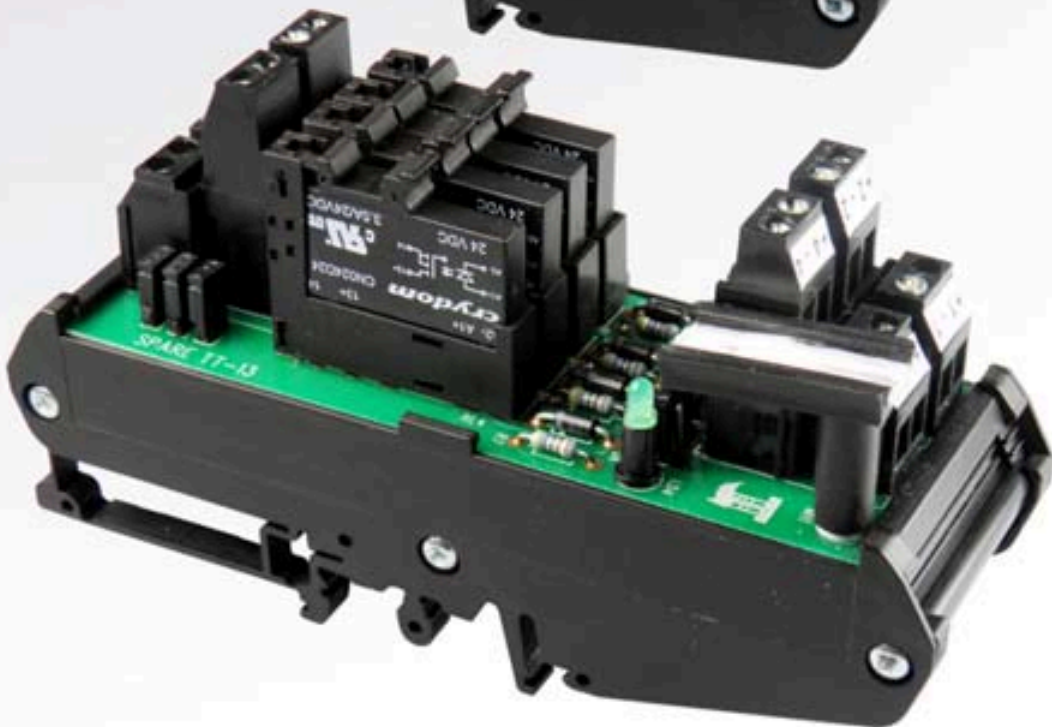
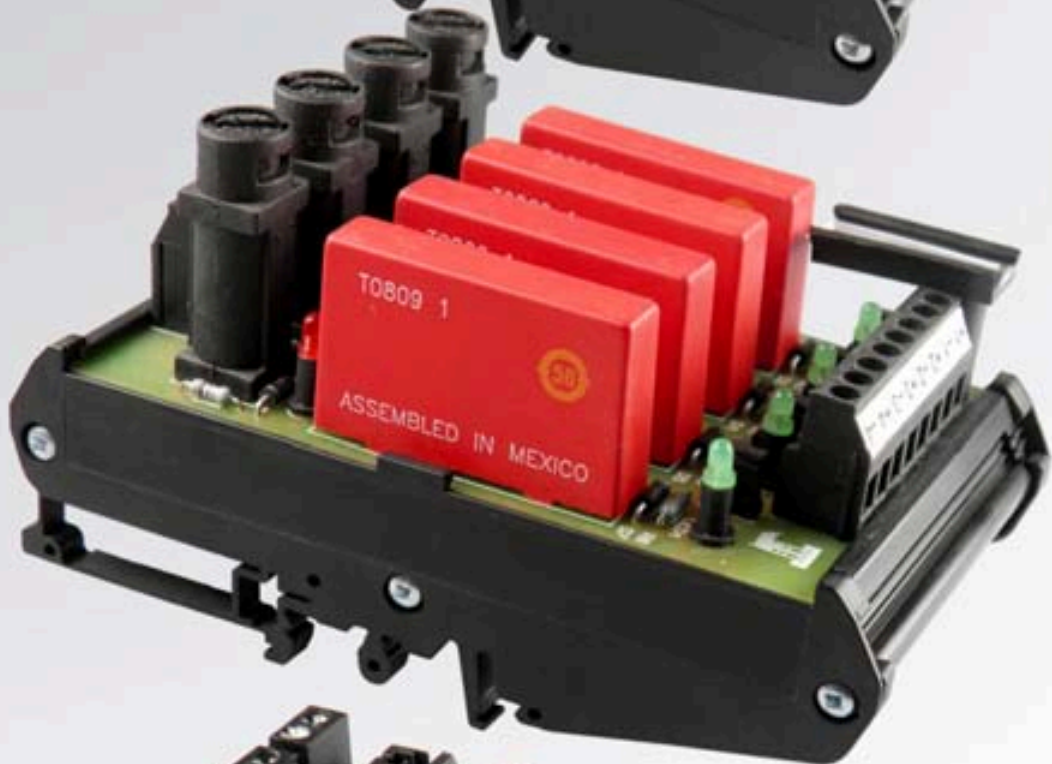
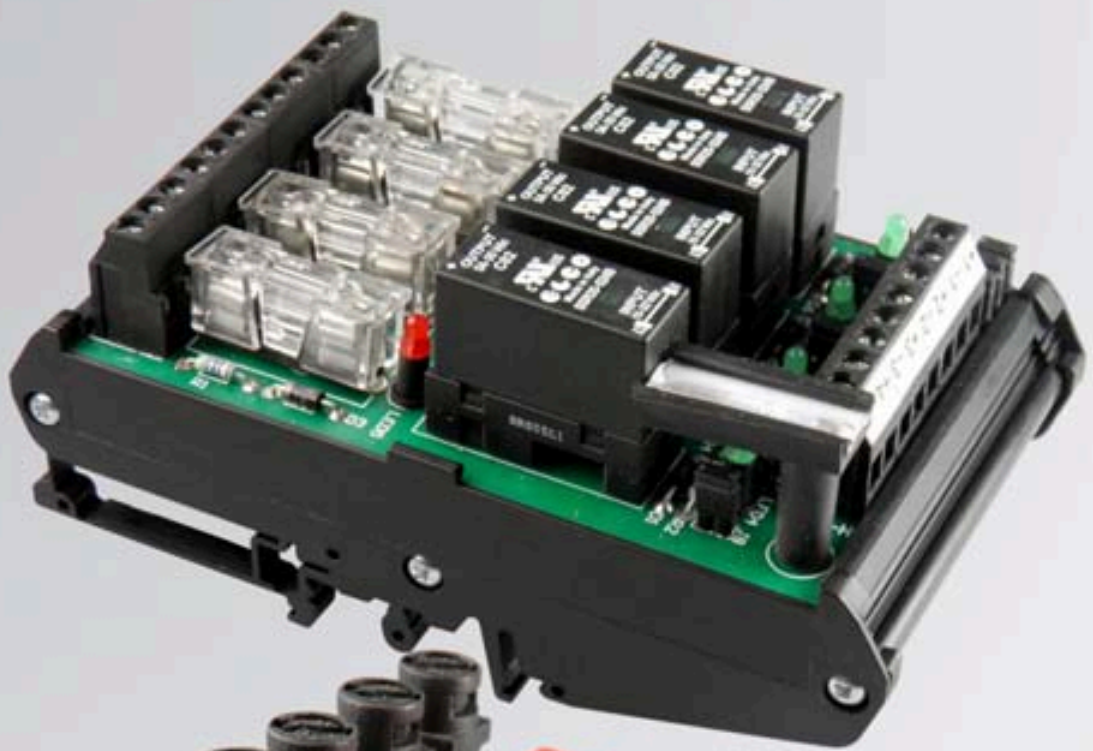
TT-IMRB-16024D1S-C(I/P-FFI)

- 16 channel electromechanical relay module.
- With 1 change over having fuse & fuse fail indication at input (coil) side.
- Input voltage 24V DC.
- Max. switching current 10A.
- Relay pluggable on socket.



TT-IMRB-160230A1S-C(I/P-FFI)

- 16 channel electromechanical relay module.
- With 1 change over having fuse & fuse fail indication at input (coil) side.
- Input voltage 230V AC.
- Max. switching current 10A.
- Relay pluggable on socket.





2

Section

Relay Module - Solid State Type

28-41

- Input Voltage 24V DC, Output Voltage 24V DC with Green LED at Input..... 28-29
- Input Voltage 24V DC, Output Voltage 24V DC with Fuse & Fuse Fail Indication at Output..... 30-31
- Input Voltage 24V DC, Output Voltage 24V DC with Fuse & Fuse Fail Indication at Output with SSR pluggable..... 32-33
- Input Voltage 24V DC, Output Voltage 240V AC with Green LED at Input..... 34-35
- Input Voltage 24V DC, Output Voltage 240V AC with Fuse & Fuse Fail Indication at Output..... 36-37
- Compact Solid State Relay Module with SSR pluggable..... 38-39
- Customised Modules..... 40-41

RELAY MODULE - SOLID STATE TYPE

INPUT VOLTAGE 24V DC, OUTPUT VOLTAGE 24V DC WITH GREEN LED AT INPUT

Main Features

- SSR relay module with solid state relays.
- Relays directly soldered.
- 8/4 channels.
- Input voltage 24V DC.
- Output voltage 24V DC.
- Green LED for input status.
- Jumpers are provided for selection between positive/negative looping.
- Free wheeling diodes are provided for polarity protection.
- Rated load current 3A.
- Mounting DIN 35 carrier rail.

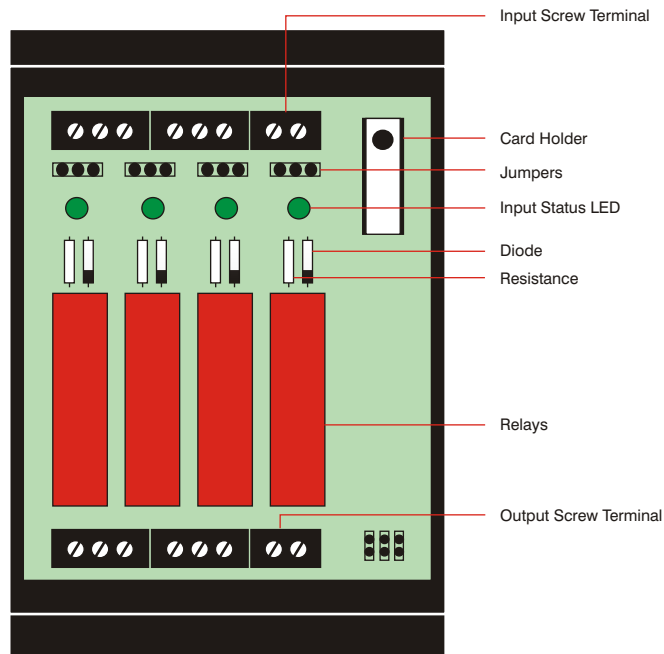


TECHNICAL SPECIFICATION	
INPUT DATA	
Nominal input voltage	24V DC
Maximum input current	15 mAdc
Maximum turn-on time	50 μ s
Nominal turn-on time	10 μ s
Maximum turn-off time	100 μ s
Nominal input resistance	2.2 K Ω
OUTPUT DATA	
Nominal operating voltage	24V DC
Operating voltage range	3-60V DC
Maximum load current	3A
RELAY DATA	
Relay	M-ODC24
Relay type	SSR DC Relay
Make	Crydom
Isolation	4000 Vrms
Capacitance, input / output	8pF
GENERAL DATA	
Housing color	Black
Module height (H)	65 mm
Module depth (D)	126 mm
Operating temperature	0°C to 80°C
Storage temperature	-10°C to 100°C
Indication	Green LED for input status
Bussing	Jumpers are provided for selection between positive/negative looping
CONNECTION DATA	
Type of connection	Screw connection (PCB terminal block)
Make	Phoenix Contact
Nominal current carrying capacity	24A for single level & 22A for double level
Rated voltage capacity	250V
Conductor cross section solid	Min/Max 0.2/4.0 mm ²
Conductor cross section stranded	Min/Max 0.2/2.5 mm ²

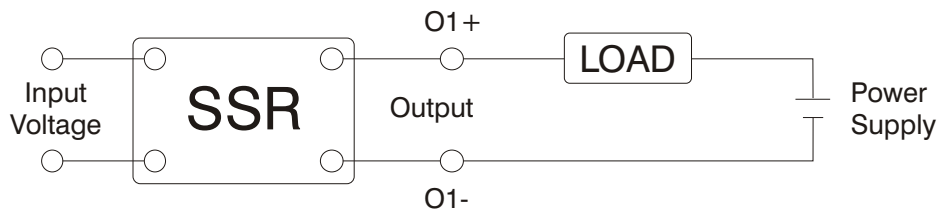
INPUT VOLTAGE 24V DC, OUTPUT VOLTAGE 24V DC WITH GREEN LED AT INPUT

MODEL	Article no.	No. of relay	Module length	Pcs./Pkt.
TT-IMRB-08024D1-SSR(II)	01 17 02904	08	105 mm	01
TT-IMRB-04024D1-SSR(II)	01 17 02903	04	55 mm	01

Layout of TT-IMRB-04024D1-SSR(II)



Connection Diagram of TT-IMRB-04024D1-SSR(II)



RELAY MODULE - SOLID STATE TYPE

INPUT VOLTAGE 24V DC, OUTPUT VOLTAGE 24V DC WITH FUSE & FUSE FAIL INDICATION AT OUTPUT

Main Features

- SSR relay module with solid state relays.
- Relays directly soldered.
- 8/4 channels.
- Input voltage 24V DC.
- Output Voltage 24V DC.
- Rated load current 3A.
- Fuse protection at output.
- Green LED for input status and Red LED for fuse fail indication.
- Jumpers are provided for selection between positive/negative looping.
- Free wheeling diodes are provided for polarity protection.
- Mounting DIN 35 carrier rail.



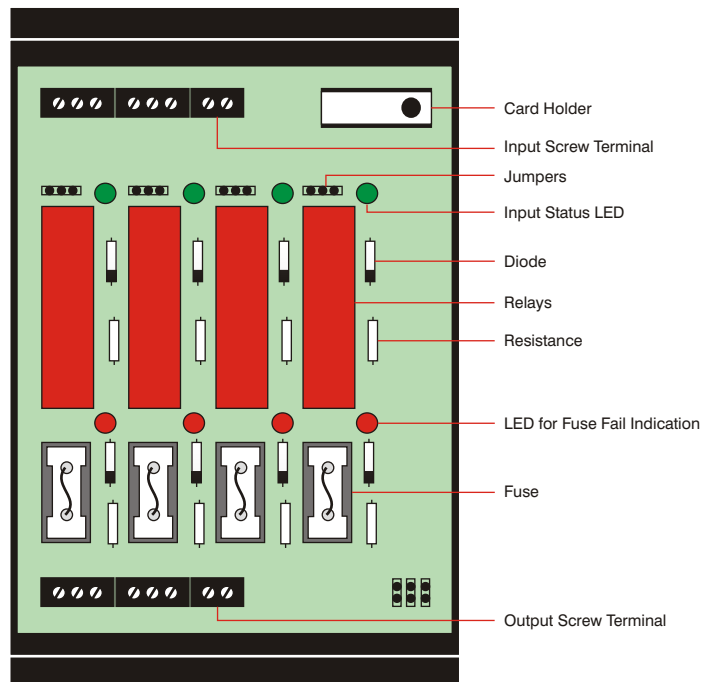
TECHNICAL SPECIFICATION	
INPUT DATA	
Nominal input voltage	24V DC
Maximum input current	15 mAdc
Maximum turn-on time	50 μ s
Nominal turn-on time	10 μ s
Maximum turn-off time	100 μ s
Nominal input resistance	2.2 K Ω
OUTPUT DATA	
Nominal operating voltage	24V DC
Operating voltage range	3-60V DC
Maximum load current	3A
RELAY DATA	
Relay	M-ODC24
Relay type	SSR DC Relay
Make	Crydom
Isolation	4000 Vrms
Capacitance, input / output	8pF
GENERAL DATA	
Housing color	Black
Module height (H)	65 mm
Module depth (D)	126 mm
Operating temperature	0°C to 80°C
Storage temperature	-10°C to 100°C
Protection at output	Fuse of 2A
Bussing	Jumpers are provided for selection between positive/negative looping
Indication	Green LED for Input Status and Red LED for Fuse Fail Indication
CONNECTION DATA	
Type of connection	Screw connection (PCB terminal block)
Make	Phoenix Contact
Nominal current carrying capacity	24A for single level & 22A for double level
Rated voltage capacity	250V
Conductor cross section solid	Min/Max 0.2/4.0 mm ²
Conductor cross section stranded	Min/Max 0.2/2.5 mm ²

RELAY MODULE - SOLID STATE TYPE

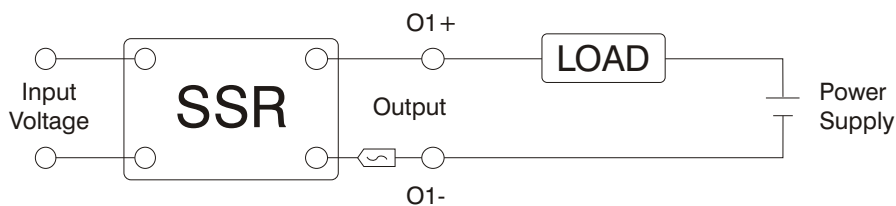
INPUT VOLTAGE 24V DC, OUTPUT VOLTAGE 24V DC WITH FUSE & FUSE FAIL INDICATION AT OUTPUT

MODEL	Article no.	No. of relay	Module length	Pcs./Pkt.
TT-IMRB-08024D1-SSR(FFI)	01 17 02906	08	154 mm	01
TT-IMRB-08024D1-SSR(FFI-VF)	01 17 02967	08	142 mm	01
TT-IMRB-04024D1-SSR(FFI)	01 17 02905	04	72 mm	01
TT-IMRB-04024D1-SSR(FFI-VF)	01 17 02968	04	72 mm	01

Layout of TT-IMRB-04024D1-SSR(FFI)



Connection Diagram of TT-IMRB-04024D1-SSR(FFI)



RELAY MODULE - SOLID STATE TYPE

FUSE AND FUSE BLOWN INDICATION AT OUTPUT WITH RELAYS PLUGGABLE

Main Features

- Relays mounted on sockets (Relay-pluggable).
- Foot prints same as single changeover electromechanical type PCB relays.
- SSR have standard pitch spacing of 3.5 mm.
- No. of channels: 8 & 4.
- Input voltage: 24V DC.
- Output voltage: options available for both 24V DC & 230V AC.
- Fuse protection is provided at output.
- Green LED for input status and red LED for fuse fail indication.
- Freewheeling diodes are provided at input of each channel for polarity protection.
- Jumpers are provided for selection of positive looping/negative looping.
- Mounting DIN 35 carrier rail.

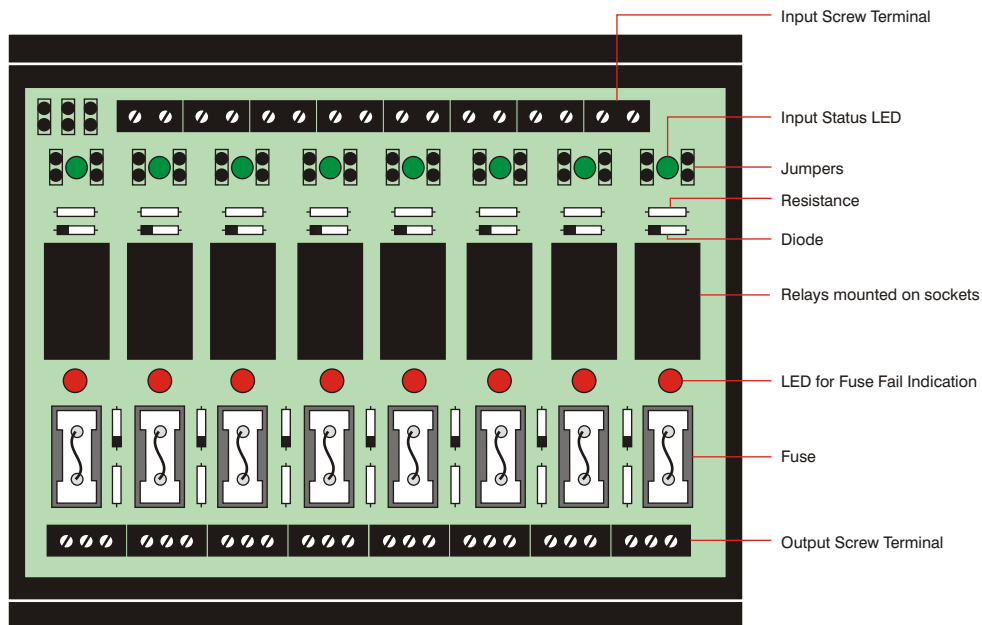


TECHNICAL SPECIFICATION		
INPUT DATA	SSR 20	SSR 21
Nominal input voltage	24V DC	24V DC
Maximum input current	13mA	13mA
Maximum turn-on time	50 μ s	Maximum closing delay for zero crossing commutation-1/2 Cycle
Maximum turn-off time	250 μ s	Maximum opening delay for zero crossing commutation-1/2 Cycle
Isolation Voltage	2500V	2500V
OUTPUT DATA		
Nominal operating voltage	24V DC	240V AC
Maximum output current	5A	3A
Contact Resistance	30 m Ω max	50 m Ω max
Output type	MOSFET	TRIAC
GENERAL DATA		
Relay	SSR20/SSR21, Italy make	
Module height (H)	60 mm	
Module depth (D)	126 mm	
Color	Black	
Operating temperature	0°C to 50°C	
Storage temperature	-10°C to 60°C	
Relative humidity	5 to 95% RH	
Indication	Green LED for input status, Red LED for fuse fail indication	
Fuses	In common path of each contact of each relay	
Rating	2A (default, to be replaced with suitable fuse as per need)	
Looping on coil side	Common, remove all jumpers to make relays independent	
CONNECTION DATA		
Type of connection	Screw connection (PCB terminal block)	
Make	Phoenix Contact	
Nominal current	24A for single level & 22A for double level	
Rated voltage	250V	
Conductor cross section solid	Min/Max 0.2/4.0 mm ²	
Conductor cross section stranded	Min/Max 0.2/2.5 mm ²	

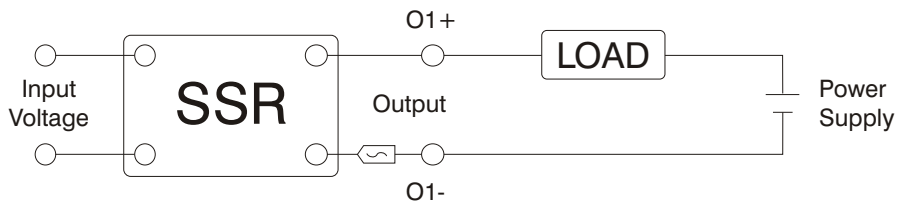
FUSE AND FUSE BLOWN INDICATION AT OUTPUT WITH RELAYS PLUGGABLE

MODEL	Article no.	No. of relay	Module length	Pcs./Pkt.
TT-IMRB-08024D1S-CSSRFFI(EL-5A)	01 17 03969	08	138 mm	01
TT-IMRB-08024D1S-C240ASSRFFI(EL-3A)	01 17 03980	08	138 mm	01
TT-IMRB-04024D1S-CSSRFFI(EL-5A)	01 17 03898	04	73 mm	01
TT-IMRB-04024D1S-C240ASSRFFI(EL-3A)	01 17 03979	04	73 mm	01

Layout of TT-IMRB-08024D1S-CSSRFFI(EL-5A)



Connection Diagram of TT-IMRB-08024D1S-CSSRFFI(EL-5A)



RELAY MODULE - SOLID STATE TYPE

INPUT VOLTAGE 24V DC, OUTPUT VOLTAGE 240V AC WITH GREEN LED AT INPUT

Main Features

- SSR relay module with solid state relays.
- Relays directly soldered.
- 8/4 channels.
- Input voltage 24V DC and output voltage 240V AC.
- Jumpers are provided for selection between positive/negative looping.
- Green LED for input status.
- Free wheeling diodes are provided for polarity protection.
- Rated load current 3A.
- Mounting DIN 35 carrier rail.



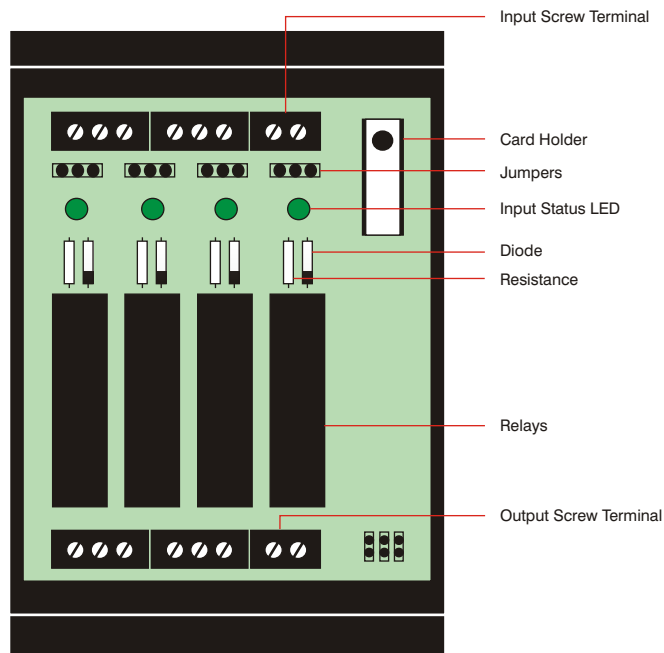
TECHNICAL SPECIFICATION	
INPUT DATA	
Nominal input voltage	24V DC
Maximum input current	13 mAdc
Maximum turn-on time	8.33 ms
Maximum turn-off time	8.33 ms
Nominal input resistance	2000 Ω
OUTPUT DATA	
Nominal operating voltage	240V AC
Operating voltage range	24-280V AC
Maximum load current	3A
RELAY DATA	
Relay	M-OAC24A
Relay type	SSR AC Relay
Make	Crydom
Isolation	4000 Vrms
Capacitance, input / output	8pF
GENERAL DATA	
Housing color	Black
Module height (H)	65 mm
Module depth (D)	126 mm
Operating temperature	0°C to 80°C
Storage temperature	-10°C to 100°C
Bussing	Jumpers are provided for selection between positive/negative looping
Indication	Green LED for Input Status
CONNECTION DATA	
Type of connection	Screw connection (PCB terminal block)
Make	Phoenix Contact
Nominal current carrying capacity	24A for single level & 22A for double level
Rated voltage capacity	250V
Conductor cross section solid	Min/Max 0.2/4.0 mm ²
Conductor cross section stranded	Min/Max 0.2/2.5 mm ²

RELAY MODULE - SOLID STATE TYPE

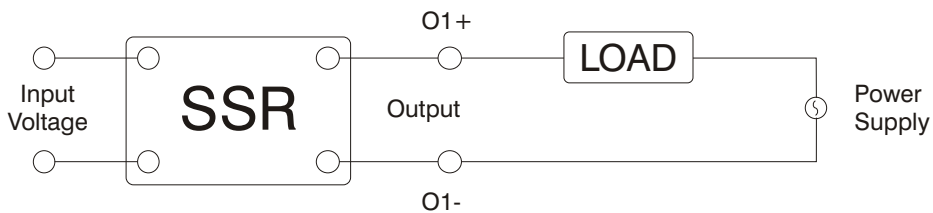
INPUT VOLTAGE 24V DC, OUTPUT VOLTAGE 240V AC WITH GREEN LED AT INPUT

MODEL	Article no.	No. of relay	Module length	Pcs./Pkt.
TT-IMRB-08024D1-240A(SSR-II)	01 17 02983	08	105 mm	01
TT-IMRB-04024D1-240A(SSR-II)	01 17 02982	04	55 mm	01

Layout of TT-IMRB-04024D1-240A(SSR-II)



Connection Diagram of TT-IMRB-04024D1-240A(SSR-II)



RELAY MODULE - SOLID STATE TYPE

INPUT VOLTAGE 24V DC, OUTPUT VOLTAGE 240V AC WITH FUSE & FUSE FAIL INDICATION AT OUTPUT

Main Features

- SSR relay module with solid state relays.
- Relays directly soldered.
- 8/4 channels.
- Input voltage 24V DC and output voltage 240V AC.
- Jumpers are provided for selection between positive/negative looping.
- Fuses are provided at output.
- Green LED for input status and red LED at output for fuse fail indication.
- Free wheeling diodes are provided for polarity protection.
- Rated load current 3A.
- Mounting DIN 35 carrier rail.



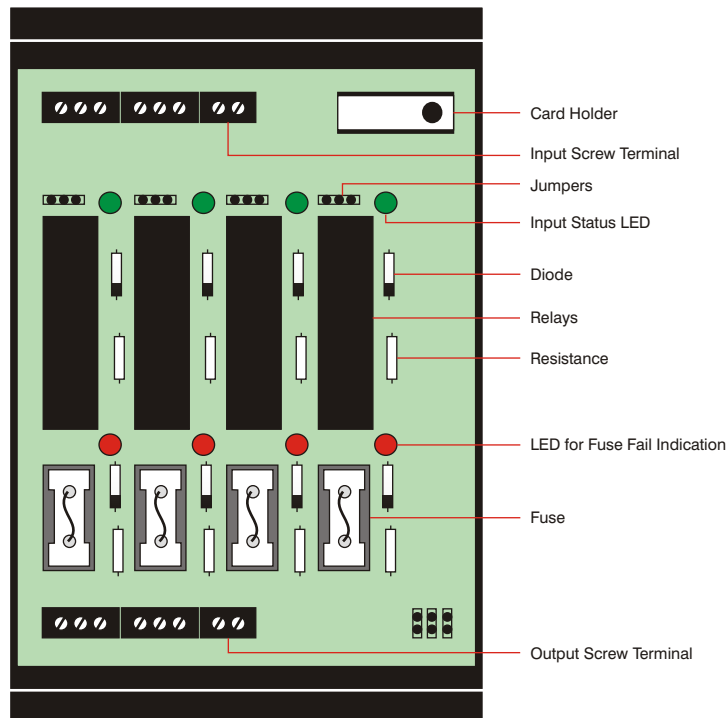
TECHNICAL SPECIFICATION	
INPUT DATA	
Nominal input voltage	24V DC
Maximum input current	13 mAdc
Maximum turn-on time	8.33 ms
Maximum turn-off time	8.33 ms
Nominal input resistance	2000 Ω
OUTPUT DATA	
Nominal operating voltage	240V AC
Operating voltage range	24-280V AC
Maximum load current	3A
RELAY DATA	
Relay	M-OAC24A
Relay type	SSR AC Relay
Make	Crydom
Isolation	4000 Vrms
Capacitance, input / output	8pF
GENERAL DATA	
Housing color	Black
Module height (H)	65 mm
Module depth (D)	126 mm
Operating temperature	0°C to 80°C
Storage temperature	-10°C to 100°C
Bussing	Jumpers are provided for selection between positive/negative looping
Protection	Fuse of 2A
Indication	Green LED for input status & red LED for fuse fail indication
CONNECTION DATA	
Type of connection	Screw connection (PCB terminal block)
Make	Phoenix Contact
Nominal current carrying capacity	24A for single level & 22A for double level
Rated voltage capacity	250V
Conductor cross section solid	Min/Max 0.2/4.0 mm ²
Conductor cross section stranded	Min/Max 0.2/2.5 mm ²

RELAY MODULE - SOLID STATE TYPE

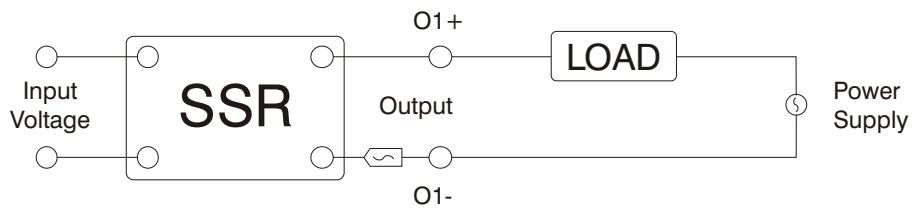
INPUT VOLTAGE 24V DC, OUTPUT VOLTAGE 240V AC WITH FUSE & FUSE FAIL INDICATION AT OUTPUT

MODEL	Article no.	No. of relay	Module length	Pcs./Pkt.
TT-IMRB-08024D1-240A(SSR-FFI)	-	08	-	01
TT-IMRB-04024D1-240A(SSR-FFI)	01 17 03978	04	72 mm	01

Layout of TT-IMRB-04024D1-240A(SSR-FFI)



Connection Diagram of TT-IMRB-04024D1-240A(SSR-FFI)



RELAY MODULE - SOLID STATE TYPE

COMPACT SOLID STATE RELAY MODULE WITH RELAYS PLUGGABLE

Main Features

- SSR compact relay module with slim solid state relays.
- With base (Relay-pluggable).
- 8/4 channels.
- Input voltage 24V DC.
- Output voltage 24V DC.
- Rated load current 3.5A.
- Jumpers are provided for selection between positive looping/negative looping.
- Mounting DIN 35 carrier rail.

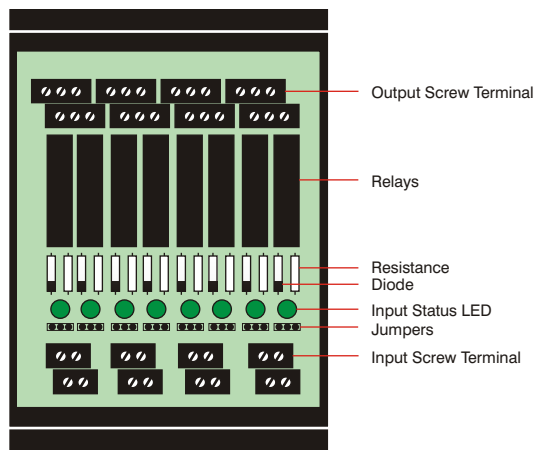


TECHNICAL SPECIFICATION	
INPUT DATA	
Control voltage range	15-30V DC
Typical turn-on time	350 μ s
Typical turn-off time	80 μ s
Nominal input impedance	2.76K Ω
OUTPUT DATA	
Operating voltage	0-24V DC
Maximum load current	3.5A
RELAY DATA	
Relay	CN024D24
Relay type	Slim SSR
Make	Crydom
Dielectric strength, input / output	2.5 KV
Maximum capacitance, input / output	1.5 pF
GENERAL DATA	
Housing color	Black
Module height (H)	65 mm
Module depth (D)	126 mm
Operating temperature	0°C to 60°C
Storage temperature	-10°C to 80°C
Indication	Green LED for input status
Bussing	Common, remove all jumpers to make relay independent
CONNECTION DATA	
Type of connection	Screw connection (PCB terminal block)
Make	Phoenix Contact
Nominal current carrying capacity	24A for single level & 22A for double level
Rated voltage capacity	250V
Conductor cross section solid	Min/Max 0.2/4.0 mm ²
Conductor cross section stranded	Min/Max 0.2/2.5 mm ²

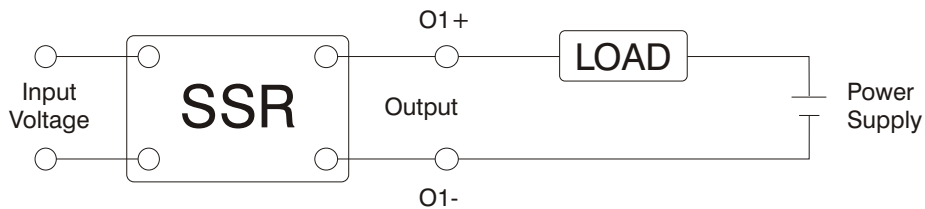
COMPACT SOLID STATE RELAY MODULE WITH RELAYS PLUGGABLE

MODEL	Article no.	No. of relay	Module length	Pcs./Pkt.
TT-IMRB-08024D1S-C(S-SSR)	01 17 02959	08	82 mm	01
TT-IMRB-04024D1S-C(S-SSR)	01 17 02953	04	43 mm	01

Layout of TT-IMRB-08024D1S-C(S-SSR)



Connection Diagram of TT-IMRB-08024D1S-C(S-SSR)



CUSTOMISED MODULES



TT-IMRB-04024D1-SSR(VF-FFI)

- 4 channel SSR module.
- Input voltage 24V DC.
- Output voltage 24V DC.
- Max. load current 3A.
- With vertical fuse & fuse fail indication at output.
- Relay directly soldered.



TT-IMRB-04024D1S-CSSRFFI(EL-5A)

- 4 channel SSR module.
- Input voltage 24V DC.
- Output voltage 24V DC.
- Max. load current 5A.
- With vertical fuse & fuse fail indication at output.
- Relays pluggable on same socket of G2R relays.



TT-IMRB-08024D1-SSR(FFI)

- 8 channel SSR module.
- Input voltage 24V DC.
- Output voltage 24V DC.
- Max. load current 3A.
- With fuse & fuse fail indication at output.
- Relays directly soldered.



TT-IMRB-04024D1S-C240ASSRFFI(CX-5A)

- 8 channel SSR module.
- Input voltage 24V DC.
- Output voltage 240V AC.
- Max. load current 5A.
- With fuse & fuse fail indication at output.
- Relays pluggable on socket.





3

Section

Passive Module & Accessory Module

44-57

Passive Module	44-51
• Passive Module with FRC Connector.....	44-45
• Passive Module with D-Sub Connector.....	46-47
• Passive Module with ELCO Connector.....	48-49
• Passive Module with RJ45 Connector.....	50-51
Accessory Module	52-57
• Utility Module.....	52-53
• Potential Distribution Module.....	54-55
• Diode O-ring Module.....	56-57

PASSIVE MODULE

PASSIVE MODULE WITH FRC CONNECTOR

Main Features

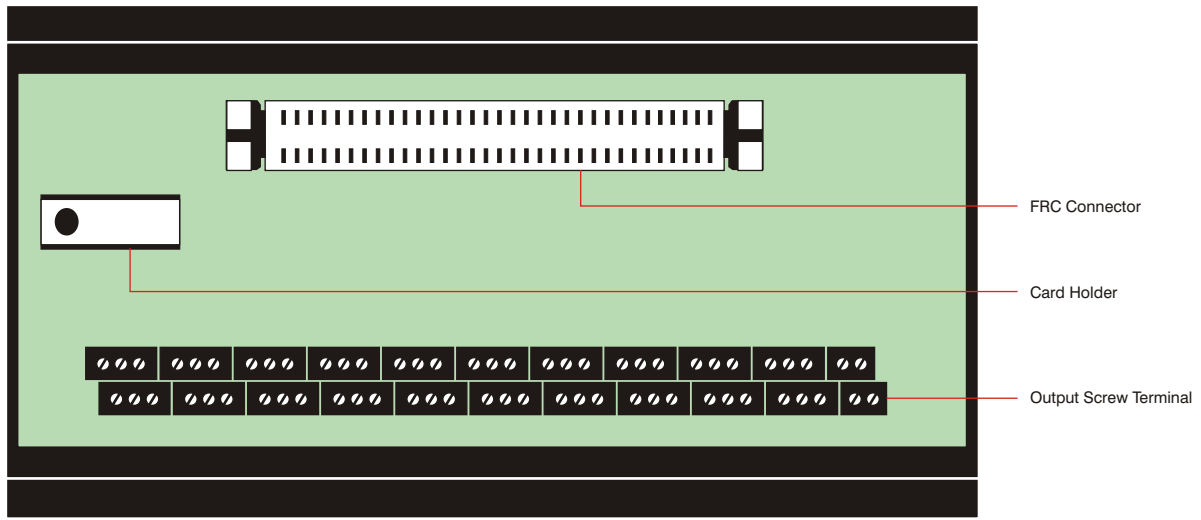
- Passive module having screw terminal connectors at one end and flat ribbon connector at other end.
- Input & output are electrically connected with each other in 1:1 connection.
- Mounting DIN 35 carrier rail.



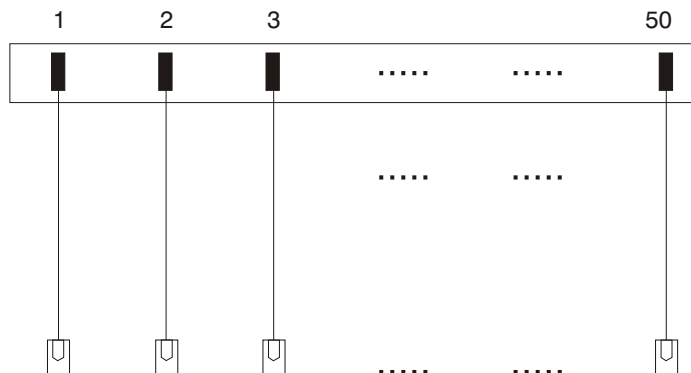
TECHNICAL SPECIFICATION																																													
INPUT DATA																																													
Input voltage	60V AC/DC																																												
Max. current carrying capacity	1A (Per pole)																																												
GENERAL DATA																																													
Module height (H)	66 mm																																												
Module depth (D)	90 mm																																												
Color	Black																																												
Operating temperature	0°C to 50°C																																												
Storage temperature	-10°C to 60°C																																												
Relative humidity	5 to 95% RH																																												
CONNECTION DATA																																													
Connection 1	PCB terminal block																																												
Type of connection	Screw connection																																												
Make	Phoenix Contact																																												
Specification, current & voltage	24A and 250V																																												
Conductor cross section solid	Min/Max 0.2/4.0 mm ²																																												
Conductor cross section stranded	Min/Max 0.2/2.5 mm ²																																												
Connection 2	Flat ribbon connection																																												
Make	FCI, Omron, Essen Deinki or equivalent																																												
MODEL	<table border="1"> <thead> <tr> <th>Article No.</th> <th>No. of poles</th> <th>Module length</th> <th>Pcs./Pkt.</th> </tr> </thead> <tbody> <tr> <td>-</td> <td>10</td> <td>-</td> <td>01</td> </tr> <tr> <td>01 17 03008</td> <td>14</td> <td>43 mm</td> <td>01</td> </tr> <tr> <td>-</td> <td>16</td> <td>-</td> <td>01</td> </tr> <tr> <td>01 17 02960</td> <td>20</td> <td>59 mm</td> <td>01</td> </tr> <tr> <td>01 17 03556</td> <td>26</td> <td>76 mm</td> <td>01</td> </tr> <tr> <td>01 17 00948</td> <td>34</td> <td>112 mm</td> <td>01</td> </tr> <tr> <td>01 17 00947</td> <td>40</td> <td>110 mm</td> <td>01</td> </tr> <tr> <td>01 17 00946</td> <td>50</td> <td>136 mm</td> <td>01</td> </tr> <tr> <td>-</td> <td>60</td> <td>-</td> <td>01</td> </tr> <tr> <td>-</td> <td>64</td> <td>-</td> <td>01</td> </tr> </tbody> </table>	Article No.	No. of poles	Module length	Pcs./Pkt.	-	10	-	01	01 17 03008	14	43 mm	01	-	16	-	01	01 17 02960	20	59 mm	01	01 17 03556	26	76 mm	01	01 17 00948	34	112 mm	01	01 17 00947	40	110 mm	01	01 17 00946	50	136 mm	01	-	60	-	01	-	64	-	01
Article No.	No. of poles	Module length	Pcs./Pkt.																																										
-	10	-	01																																										
01 17 03008	14	43 mm	01																																										
-	16	-	01																																										
01 17 02960	20	59 mm	01																																										
01 17 03556	26	76 mm	01																																										
01 17 00948	34	112 mm	01																																										
01 17 00947	40	110 mm	01																																										
01 17 00946	50	136 mm	01																																										
-	60	-	01																																										
-	64	-	01																																										
TT-IMPB-F10	-	-	01																																										
TT-IMPB-F14	01 17 03008	43 mm	01																																										
TT-IMPB-F16	-	-	01																																										
TT-IMPB-F20	01 17 02960	59 mm	01																																										
TT-IMPB-F26	01 17 03556	76 mm	01																																										
TT-IMPB-F34	01 17 00948	112 mm	01																																										
TT-IMPB-F40	01 17 00947	110 mm	01																																										
TT-IMPB-F50	01 17 00946	136 mm	01																																										
TT-IMPB-F60	-	-	01																																										
TT-IMPB-F64	-	-	01																																										

PASSIVE MODULE WITH FRC CONNECTOR

Layout of TT-IMPB-F50



Connection Diagram of TT-IMPB-F50



PASSIVE MODULE

PASSIVE MODULE WITH D-SUB CONNECTOR

Main Features

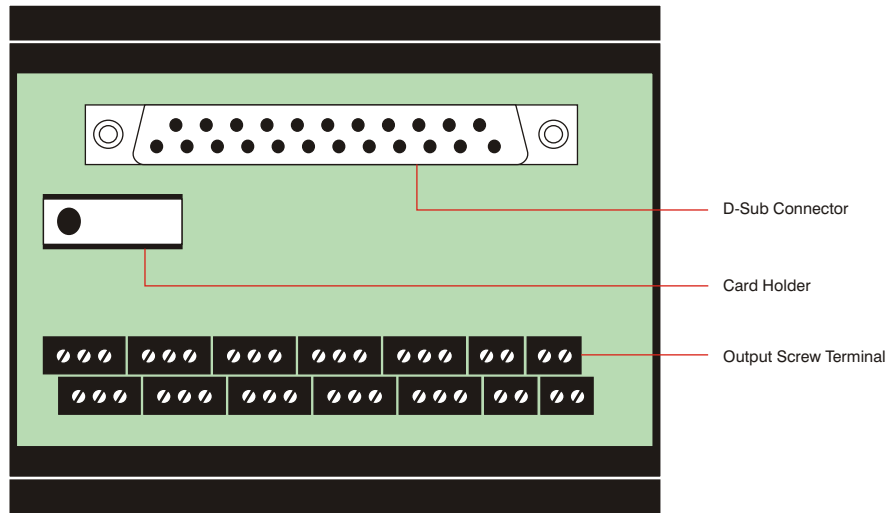
- Passive module having screw terminals connectors at one end and D-Sub male/female connector at other end.
- Input & output are electrically connected with each other in 1:1 connection.
- Mounting DIN 35 carrier rail.



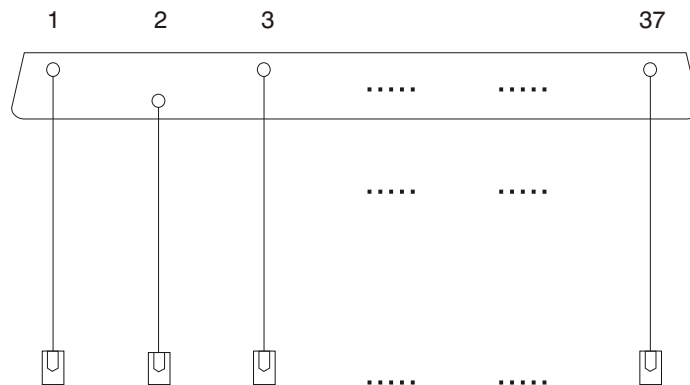
TECHNICAL SPECIFICATION																																													
INPUT DATA																																													
Input voltage	125V AC/DC																																												
Max. current carrying capacity	1A (Per pole)																																												
GENERAL DATA																																													
Module height (H)	66 mm																																												
Module depth (D)	90 mm																																												
Color	Black																																												
Operating temperature	0°C to 50°C																																												
Storage temperature	-10°C to 60°C																																												
Relative humidity	5 to 95% RH																																												
CONNECTION DATA																																													
Connection 1	PCB terminal block																																												
Type of connection	Screw connection																																												
Make	Phoenix Contact																																												
Specification, current & voltage	24A and 250V																																												
Conductor cross section solid	Min/Max. 0.2/4.0 mm ²																																												
Conductor cross section stranded	Min/Max. 0.2/2.5 mm ²																																												
Connection 2	D-Sub connector																																												
Make	FCI, Omron, Essen Deinki or equivalent																																												
MODEL	<table border="1"> <thead> <tr> <th>Article No.</th> <th>No. of poles</th> <th>Module length</th> <th>Pcs./Pkt.</th> </tr> </thead> <tbody> <tr> <td>01 17 03094</td> <td>09</td> <td>36 mm</td> <td>01</td> </tr> <tr> <td>01 17 03093</td> <td>09</td> <td>36 mm</td> <td>01</td> </tr> <tr> <td>01 17 03095</td> <td>15</td> <td>48 mm</td> <td>01</td> </tr> <tr> <td>01 17 03013</td> <td>15</td> <td>48 mm</td> <td>01</td> </tr> <tr> <td>01 17 00950</td> <td>25</td> <td>73 mm</td> <td>01</td> </tr> <tr> <td>01 17 00949</td> <td>25</td> <td>73 mm</td> <td>01</td> </tr> <tr> <td>01 17 00952</td> <td>37</td> <td>105 mm</td> <td>01</td> </tr> <tr> <td>01 17 00951</td> <td>37</td> <td>105 mm</td> <td>01</td> </tr> <tr> <td>01 17 03012</td> <td>50</td> <td>136 mm</td> <td>01</td> </tr> <tr> <td>01 17 03096</td> <td>50</td> <td>136 mm</td> <td>01</td> </tr> </tbody> </table>	Article No.	No. of poles	Module length	Pcs./Pkt.	01 17 03094	09	36 mm	01	01 17 03093	09	36 mm	01	01 17 03095	15	48 mm	01	01 17 03013	15	48 mm	01	01 17 00950	25	73 mm	01	01 17 00949	25	73 mm	01	01 17 00952	37	105 mm	01	01 17 00951	37	105 mm	01	01 17 03012	50	136 mm	01	01 17 03096	50	136 mm	01
Article No.	No. of poles	Module length	Pcs./Pkt.																																										
01 17 03094	09	36 mm	01																																										
01 17 03093	09	36 mm	01																																										
01 17 03095	15	48 mm	01																																										
01 17 03013	15	48 mm	01																																										
01 17 00950	25	73 mm	01																																										
01 17 00949	25	73 mm	01																																										
01 17 00952	37	105 mm	01																																										
01 17 00951	37	105 mm	01																																										
01 17 03012	50	136 mm	01																																										
01 17 03096	50	136 mm	01																																										
TT-IMPB-D9F																																													
TT-IMPB-D9M																																													
TT-IMPB-D15F																																													
TT-IMPB-D15M																																													
TT-IMPB-D25F																																													
TT-IMPB-D25M																																													
TT-IMPB-D37F																																													
TT-IMPB-D37M																																													
TT-IMPB-D50F																																													
TT-IMPB-D50M																																													

PASSIVE MODULE WITH D-SUB CONNECTOR

Layout of TT-IMPB-D37F



Connection Diagram of TT-IMPB-D37F



PASSIVE MODULE

PASSIVE MODULE WITH ELCO CONNECTOR

Main Features

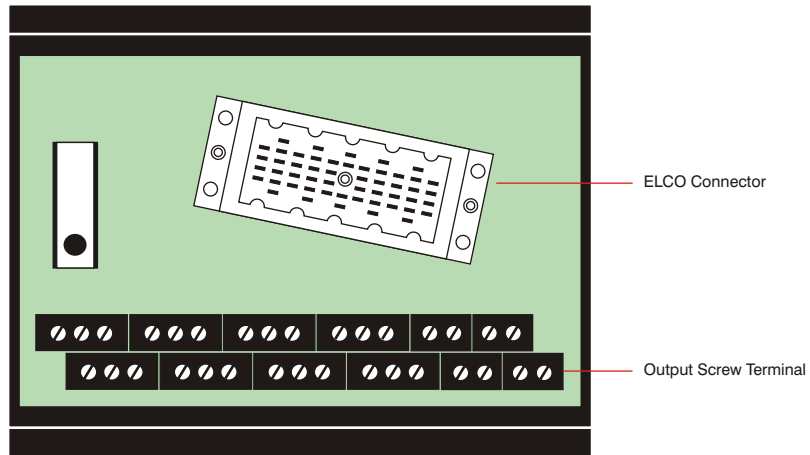
- Passive module having screw terminal connectors at one end and 38/58 pin male connector at other end.
- Input & output are electrically connected with each other in 1:1 connection.
- Mounting DIN 35 carrier rail.



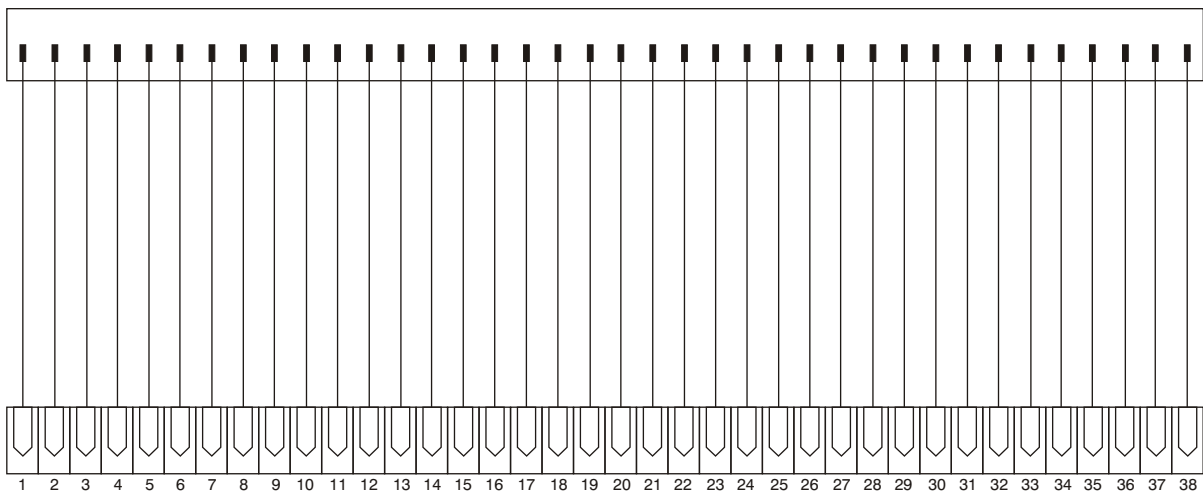
TECHNICAL SPECIFICATION																													
INPUT DATA																													
Input Voltage	125V AC/DC																												
Max. current carrying capacity	2A (Per pole)																												
GENERAL DATA																													
Module height (H)	66 mm																												
Module depth (D)	90 mm																												
Color	Black																												
Operating temperature	0°C to 50°C																												
Storage temperature	-10°C to 60°C																												
Relative humidity	5 to 95% RH																												
CONNECTION DATA																													
Connection 1	PCB terminal block																												
Type of connection	Screw connection																												
Make	Phoenix Contact																												
Specification, current & voltage	24A and 250V																												
Conductor cross section solid	Min/Max. 0.2/4.0 mm ²																												
Conductor cross section stranded	Min/Max. 0.2/2.5 mm ²																												
Connection 2	High density connector, 20/38/56 pin male type																												
Make	EDAC or equivalent																												
MODEL	<table border="1"> <thead> <tr> <th>Article No.</th> <th>No. of poles</th> <th>Module length</th> <th>Pcs./Pkt.</th> </tr> </thead> <tbody> <tr> <td>-</td> <td>20</td> <td>-</td> <td>01</td> </tr> <tr> <td>01 17 03087</td> <td>20</td> <td>64 mm</td> <td>01</td> </tr> <tr> <td>-</td> <td>38</td> <td>-</td> <td>01</td> </tr> <tr> <td>01 17 02975</td> <td>38</td> <td>105 mm</td> <td>01</td> </tr> <tr> <td>-</td> <td>56</td> <td>-</td> <td>01</td> </tr> <tr> <td>01 17 03092</td> <td>56</td> <td>151 mm</td> <td>01</td> </tr> </tbody> </table>	Article No.	No. of poles	Module length	Pcs./Pkt.	-	20	-	01	01 17 03087	20	64 mm	01	-	38	-	01	01 17 02975	38	105 mm	01	-	56	-	01	01 17 03092	56	151 mm	01
Article No.	No. of poles	Module length	Pcs./Pkt.																										
-	20	-	01																										
01 17 03087	20	64 mm	01																										
-	38	-	01																										
01 17 02975	38	105 mm	01																										
-	56	-	01																										
01 17 03092	56	151 mm	01																										
TT-IMPB-ELCO20(L)																													
TT-IMPB-ELCO20(R)																													
TT-IMPB-ELCO38(L)																													
TT-IMPB-ELCO38(R)																													
TT-IMPB-ELCO56(L)																													
TT-IMPB-ELCO56(R)																													

PASSIVE MODULE WITH ELCO CONNECTOR

Layout of TT-IMPB-ELCO38(R)



Connection Diagram of TT-IMPB-ELCO38(R)



PASSIVE MODULE

PASSIVE MODULE WITH RJ45 CONNECTOR

Main Features

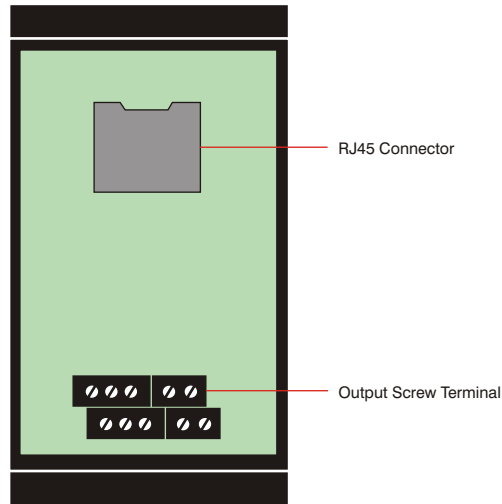
- Passive module having screw terminal connectors at one end and RJ45 connector at other end.
- Input & output are electrically connected with each other in 1:1 connection.
- Mounting DIN 35 carrier rail.



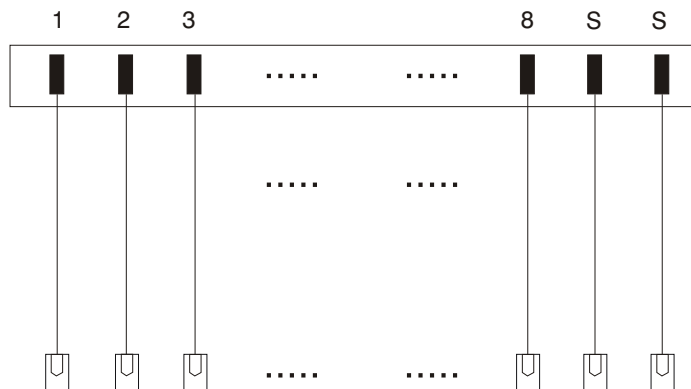
TECHNICAL SPECIFICATION													
INPUT DATA													
Input Voltage	125V AC RMS												
Max. Current carrying capacity	1.5A (Per pole)												
GENERAL DATA													
Module height (H)	66 mm												
Module depth (D)	90 mm												
Color	Black												
Operating temperature	0°C to 50°C												
Storage temperature	-10°C to 60°C												
Relative humidity	5 to 95% RH												
CONNECTION DATA													
Connection 1	PCB terminal block												
Type of connection	Screw connection												
Make	Phoenix Contact												
Specification, current & voltage	24A and 250V												
Conductor cross section solid	Min/Max. 0.2/4.0 mm ²												
Conductor cross section stranded	Min/Max. 0.2/2.5 mm ²												
Connection 2	RJ45 connector												
Make	EDAC or equivalent												
MODEL	<table border="1"> <thead> <tr> <th>Article No.</th> <th>No. of poles</th> <th>Module length</th> <th>Pcs./Pkt.</th> </tr> </thead> <tbody> <tr> <td>-</td> <td>08</td> <td>-</td> <td>01</td> </tr> <tr> <td>01 17 02976</td> <td>08</td> <td>35 mm</td> <td>01</td> </tr> </tbody> </table>	Article No.	No. of poles	Module length	Pcs./Pkt.	-	08	-	01	01 17 02976	08	35 mm	01
Article No.	No. of poles	Module length	Pcs./Pkt.										
-	08	-	01										
01 17 02976	08	35 mm	01										
TT-IMPB-RJ45(V)													
TT-IMPB-RJ45(H)													

PASSIVE MODULE WITH RJ45 CONNECTOR

Layout of TT-IMPB-RJ45(H)



Connection Diagram of TT-IMPB-RJ45(H)



ACCESSORY MODULE

UTILITY MODULE

Main Features

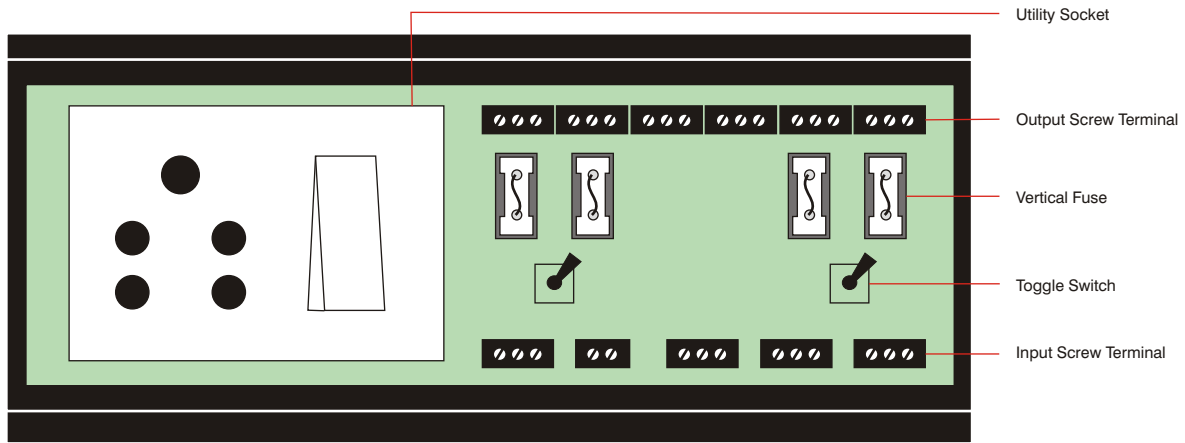
- Utility module is used as a junction box for panel lighting and fan load in control panels.
- It has on board 5-Amp utility socket with switch, which can be used for tapping 230V AC by simply plugging any 5 Amp power plug.
- By default some points are for 230V AC and others are for 110V AC but with the help of external wire jumpers, complete module can be used at single potential.



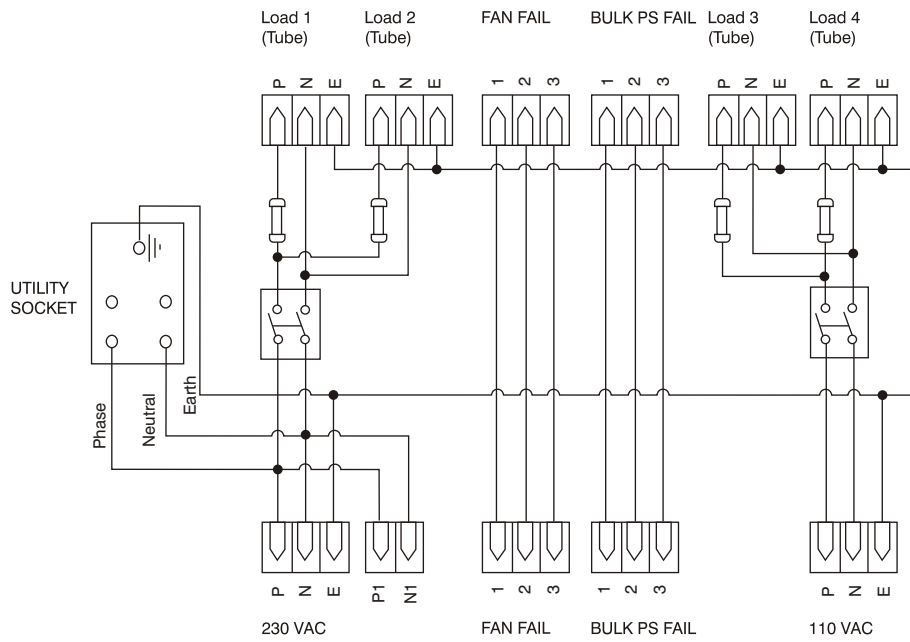
TECHNICAL SPECIFICATION							
INPUT DATA							
Power Input - 1	230V AC, with external wire jumpers between 230V AC and 110V AC						
Power Input - 2	110V AC, if wire jumpers are not being used.						
CONTACT DATA							
Output - 1	230V AC/110V AC for two fans, two lights						
Output - 2	230V AC on utility socket						
GENERAL DATA							
Operating temperature	0°C to 50°C						
Storage temperature	-10°C to 60°C						
Relative humidity	5 to 95% RH						
Protection	Fuse at output for each load						
Fuse type	1Amp, fast blow, glass, 5x20 mm						
Output control	With the help of ON/OFF toggle switch						
CONNECTION DATA							
Input side	Screw connection (PCB terminal block)						
Output - 1	Screw connection (PCB terminal block)						
Make	Phoenix Contact						
Nominal current	24A						
Rated voltage	250V						
Conductor cross section solid	Min/Max. 0.2/4.0 mm ²						
Conductor cross section stranded	Min/Max. 0.2/2.5 mm ²						
Output - 2	Utility socket, current rating 5 Amp						
MODEL							
TT-IMPB-UTILITY	<table border="1"> <thead> <tr> <th>Article No.</th> <th>Module length</th> <th>Pcs./Pkt.</th> </tr> </thead> <tbody> <tr> <td>01 17 02974</td> <td>187 mm</td> <td>01</td> </tr> </tbody> </table>	Article No.	Module length	Pcs./Pkt.	01 17 02974	187 mm	01
Article No.	Module length	Pcs./Pkt.					
01 17 02974	187 mm	01					

UTILITY MODULE

Layout of TT-IMPB-UTILITY



Connection Diagram of TT-IMPB-UTILITY



ACCESSORY MODULE

POWER DISTRIBUTION MODULE

Main Features

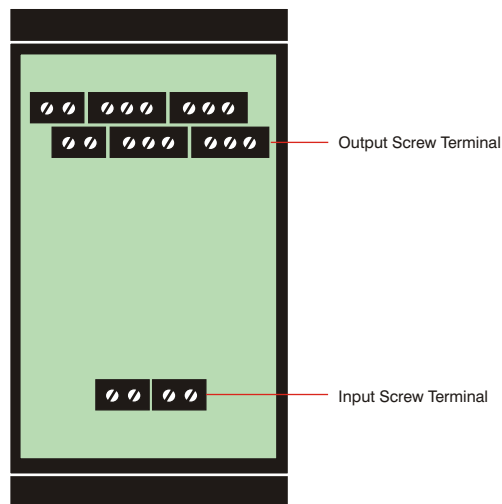
- Power distribution modules are used for distributing power to multiple field devices.
- Installation time is significantly reduced because we have eliminated the need for external bridges or daisy-chain wiring.
- Simple & inexpensive to implement.
- Two separate rows of terminal blocks are internally bridged for powering multiple field devices by one power supply.
- Mounting DIN 35 carrier rail.



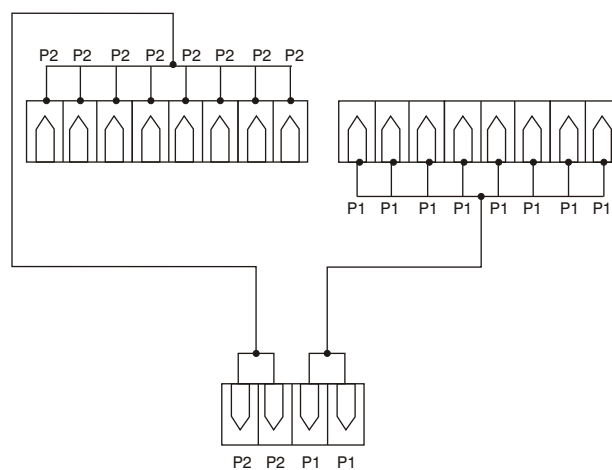
TECHNICAL SPECIFICATION	
INPUT DATA	
Input voltage	250V AC/DC
Input current	20A
Connection	One power supply has to be connected between P1 & P2
OUTPUT DATA	
Current rating per branch	5A
Output voltage	Divided equally into two rows
GENERAL DATA	
No. of channels	01
Module height (H)	65 mm
Module depth (D)	90 mm
Color	Black
Operating temperature	0°C to 50°C
Storage temperature	-10°C to 60°C
Relative humidity	5 to 95% RH
CONNECTION DATA	
Type of connection	Screw connection (PCB terminal block)
Make	Phoenix Contact
Color	Black
Nominal current	24A for 1 single level & 22A for 2 double level
Rated voltage	250V
Conductor cross section solid	Min/Max. 0.2/4.0 mm ²
Conductor cross section stranded	Min/Max. 0.2/2.5 mm ²
MODEL	Article No. Module length Pcs./Pkt.
TT-IMPB-PDM	01 17 03852 52 mm 01

POWER DISTRIBUTION MODULE

Layout of TT-IMPB-PDM



Connection Diagram of TT-IMPB-PDM



ACCESSORY MODULE

DIODE O-RING MODULE

Main Features

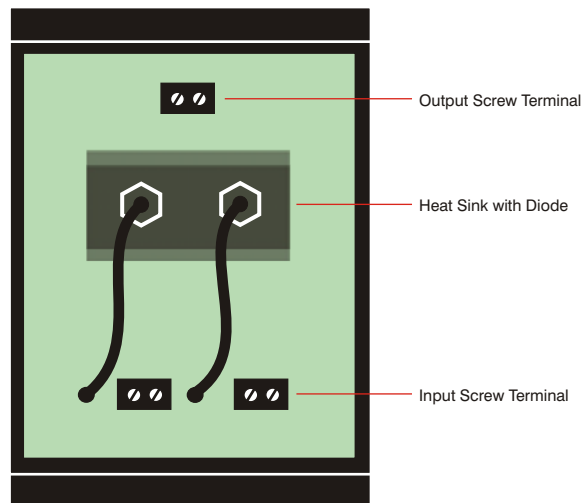
- 10A/20A diode o-ring modules are used when two SMPS are connected in parallel (Redundancy).
- 10A module is used to connect two power supplies of 5A each.
- 20A module is used to connect two power supplies of 10A each.
- Increases overall system efficiency.
- Improves system reliability.
- Simple & inexpensive to implement.
- Mounting DIN 35 carrier rail.



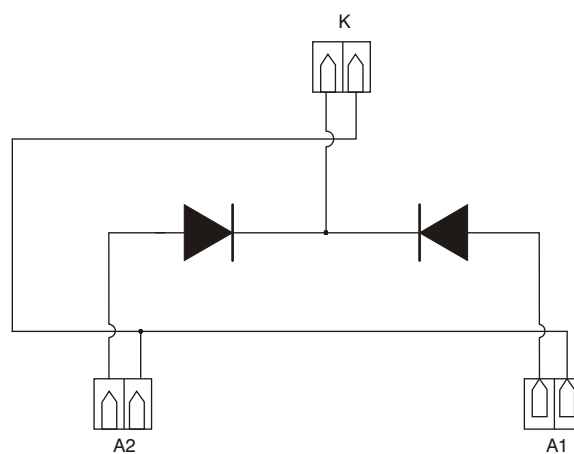
TECHNICAL SPECIFICATION																			
DIODE DATA																			
Part No.																			
Make																			
IFAV																			
IFSM for 10 sec																			
I _t																			
VRRM																			
R.M.S. working voltage																			
Max. avg. reverse leakage current																			
Diode type																			
	<table border="1"> <thead> <tr> <th>Diode 12FM 160</th> <th>Diode 25FM 160</th> </tr> </thead> <tbody> <tr> <td>Ruttonsha</td> <td>Ruttonsha</td> </tr> <tr> <td>12A</td> <td>25A</td> </tr> <tr> <td>250A</td> <td>356A</td> </tr> <tr> <td>312A²sec</td> <td>636 A²sec</td> </tr> <tr> <td>1600V</td> <td>1600V</td> </tr> <tr> <td>640V</td> <td>640V</td> </tr> <tr> <td>1mA</td> <td>4mA</td> </tr> <tr> <td colspan="2">Stud type with metric threading</td> </tr> </tbody> </table>	Diode 12FM 160	Diode 25FM 160	Ruttonsha	Ruttonsha	12A	25A	250A	356A	312A ² sec	636 A ² sec	1600V	1600V	640V	640V	1mA	4mA	Stud type with metric threading	
Diode 12FM 160	Diode 25FM 160																		
Ruttonsha	Ruttonsha																		
12A	25A																		
250A	356A																		
312A ² sec	636 A ² sec																		
1600V	1600V																		
640V	640V																		
1mA	4mA																		
Stud type with metric threading																			
GENERAL DATA																			
No. of channels	01																		
Signal mode	Redundant																		
Module height (H)	100 mm																		
Module depth (D)	90 mm																		
Color	Black																		
Operating temperature	0°C to 50°C																		
Storage temperature	-10°C to 60°C																		
Relative humidity	5 to 95% RH																		
CONNECTION DATA																			
Type of connection	Screw connection (PCB terminal block)																		
Make	Phoenix Contact																		
Color	Black																		
Nominal current	24A for 1 change over & 22A for 2 change over																		
Rated voltage	250 V																		
Conductor cross section solid	Min/Max. 0.2/4.0 mm ²																		
Conductor cross section stranded	Min/Max. 0.2/2.5 mm ²																		
MODEL																			
TT-IMPB-Diode Module (10A)	<table border="1"> <thead> <tr> <th>Article No.</th> <th>Module length</th> <th>Pcs./Pkt.</th> </tr> </thead> <tbody> <tr> <td>01 17 03862</td> <td>68 mm</td> <td>01</td> </tr> <tr> <td>-</td> <td>-</td> <td>01</td> </tr> </tbody> </table>	Article No.	Module length	Pcs./Pkt.	01 17 03862	68 mm	01	-	-	01									
Article No.	Module length	Pcs./Pkt.																	
01 17 03862	68 mm	01																	
-	-	01																	
TT-IMPB-Diode Module (20A)																			

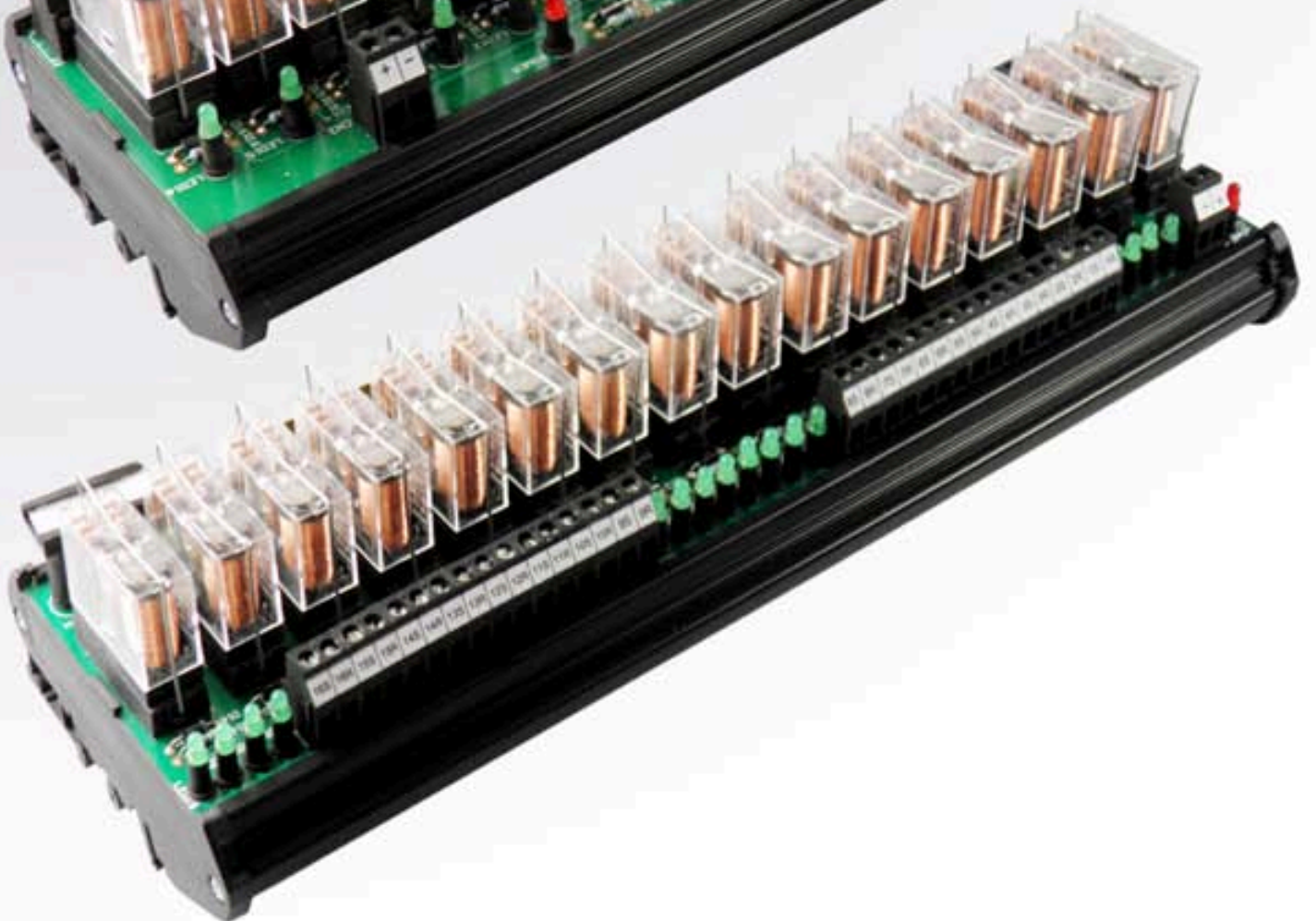
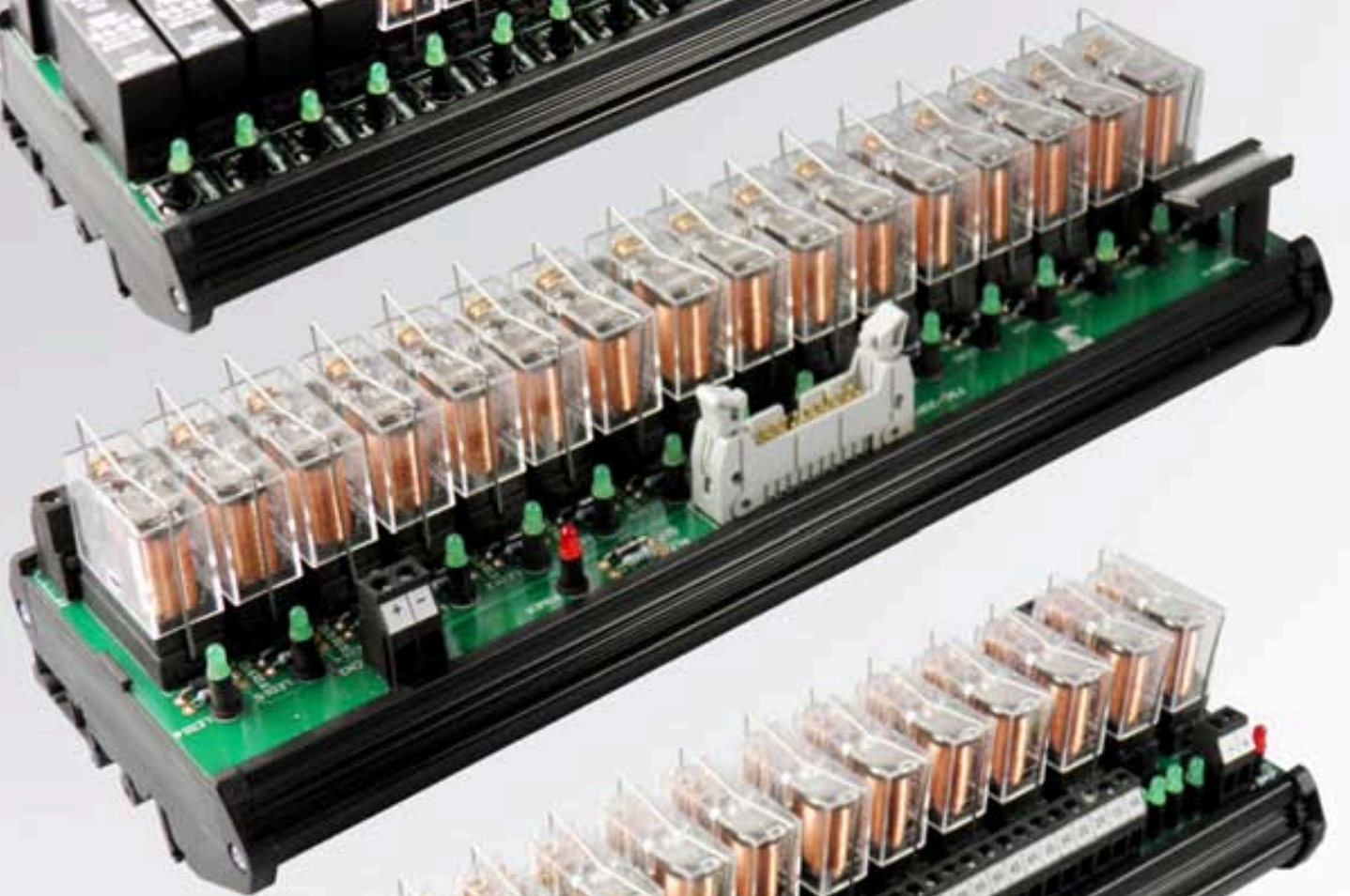
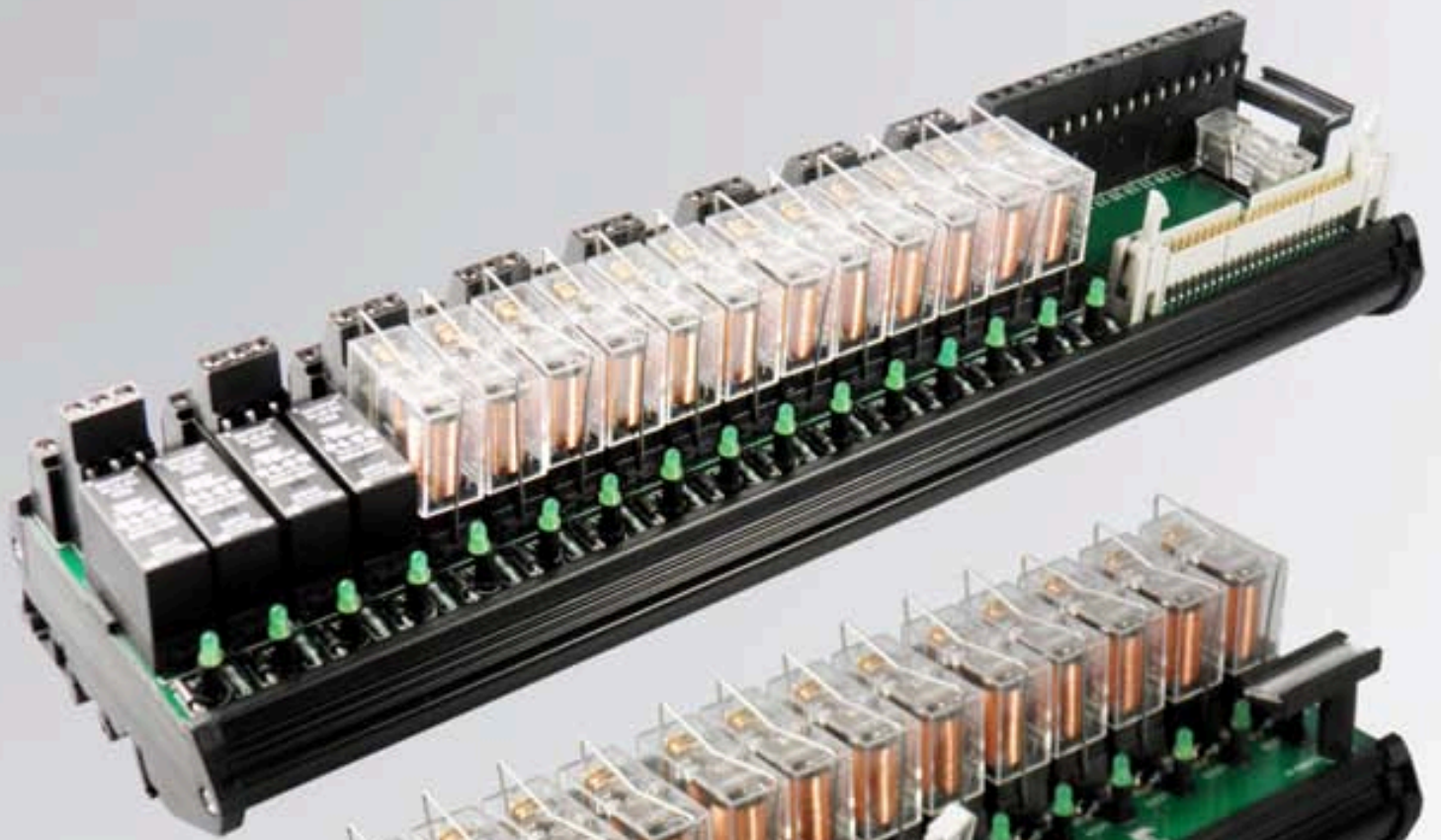
DIODE ORING MODULE

Layout of TT-IMPB-Diode Module (10A)



Connection Diagram of TT-IMPB-Diode Module (10A)







4

Section

DO/DI Module & CNC Module

60-67

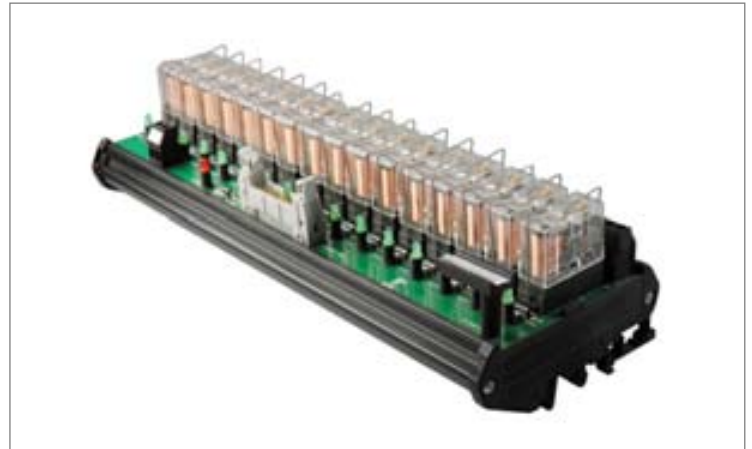
DO/DI Module	60-65
• 16 Channel Digital Output Module with FRC connector.....	60-61
• 16 Channel Digital Output Module with D-Sub connector.....	62-63
• 16 Channel Digital Input Module with D-Sub connector.....	64-65
 CNC Module	 66-67
• CNC Module with 24 Inputs and 16 Outputs.....	66-67

DI/DO MODULE

16 CHANNEL DIGITAL OUTPUT MODULE WITH FRC CONNECTOR

Main Features

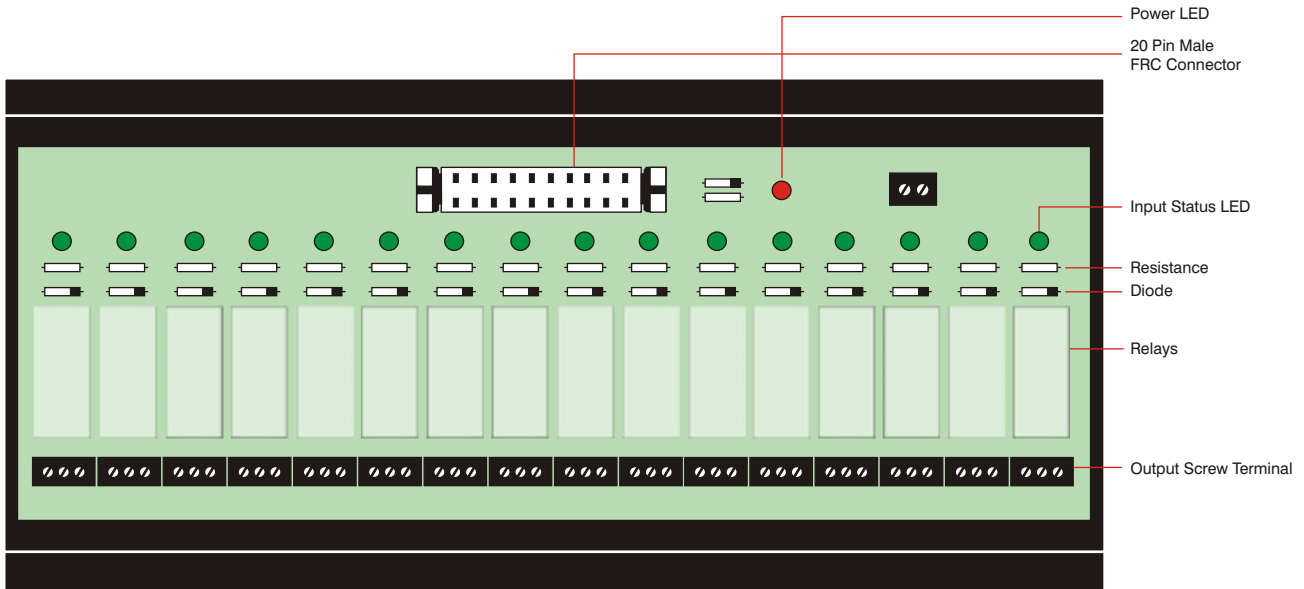
- Module with 16 interposing relays.
- With base (Relay-pluggable).
- Coil voltage 24V DC.
- 1 change over.
- Green LED for input status.
- Freewheeling diode across relay coil for protection.
- FRC 20 connector is provided on input side.
- Mounting DIN 35 carrier rail.



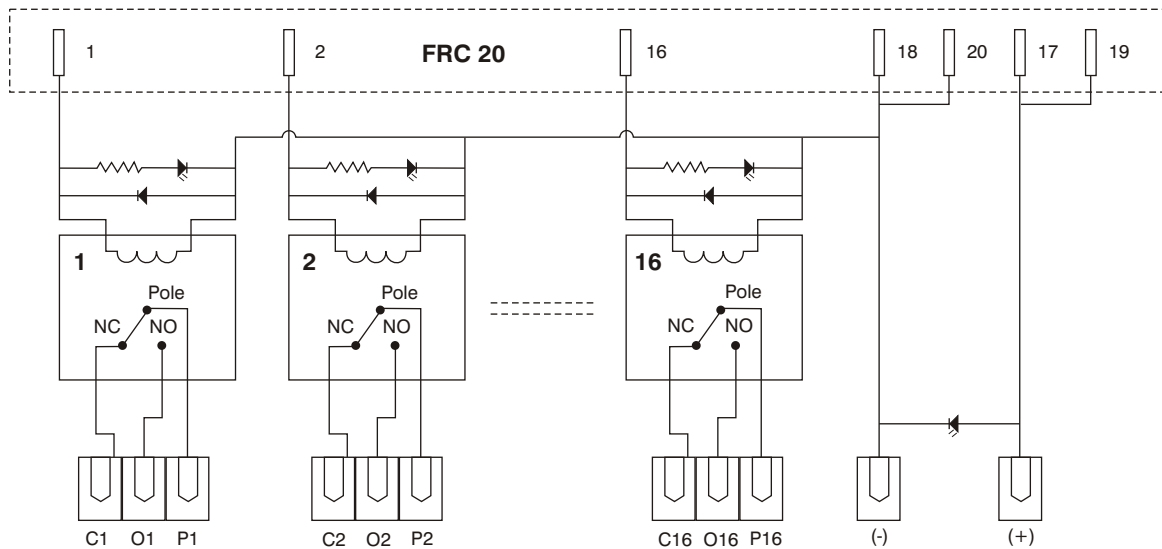
TECHNICAL SPECIFICATION	
INPUT DATA	
Input voltage	24V DC
Input current	21.8 mA
Coil resistance	1100 Ω
CONTACT DATA	
1CO	
No.of contact	1 PDT
Rated load (Resistive)	10A, 250V AC/30V DC
(Inductive)	5A, 30V DC/7.5A, 250V AC
Contact resistance	30 mΩ max
GENERAL DATA	
Relay	Omron, IDEC, Tyco or equivalent
Module height (H)	75 mm
Module depth (D)	90 mm
Color	Black
Operating temperature	0°C to 50°C
Storage temperature	-10°C to 60°C
Relative humidity	5 to 95% RH
Indication	Green LED for input status, Red LED for fuse fail indication
Protection	Freewheeling diode across relay coil
CONNECTION DATA	
Input connection type	FRC connector having 20 pins male
Make	FCI, Omron, Essen Deinki or equivalent
Output Connection Type	Screw connection (PCB terminal block)
Make	Phoenix Contact
Specification	24A, 250V
Conductor Cross Section Solid	Min/Max. 0.2/4.0 mm ²
Conductor Cross Section Stranded	Min/Max. 0.2/2.5 mm ²
MODEL	Article No. No. of relays Module length Pcs./Pkt.
TT-IMRB-16024D1S-DO(F20)	01 17 04036 16 252 mm 01

16 CHANNEL DIGITAL OUTPUT MODULE WITH FRC CONNECTOR

Layout of TT-IMRB-16024D1S-DO(F20)



Connection Diagram of TT-IMRB-16024D1S-DO(F20)

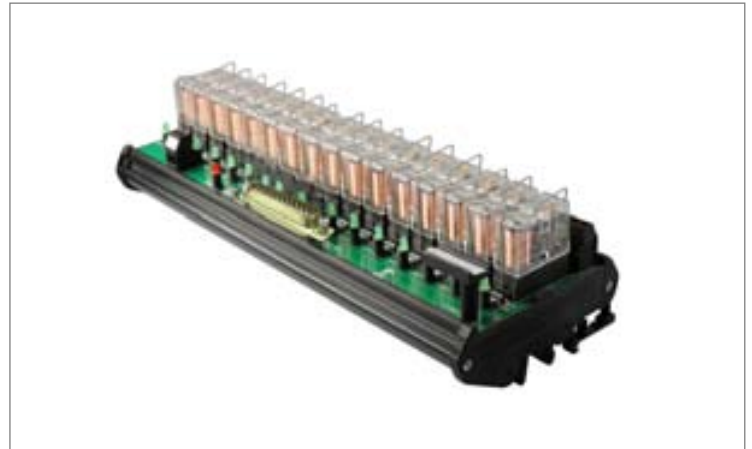


DI/DO MODULE

16 CHANNEL DIGITAL OUTPUT MODULE WITH D-SUB CONNECTOR

Main Features

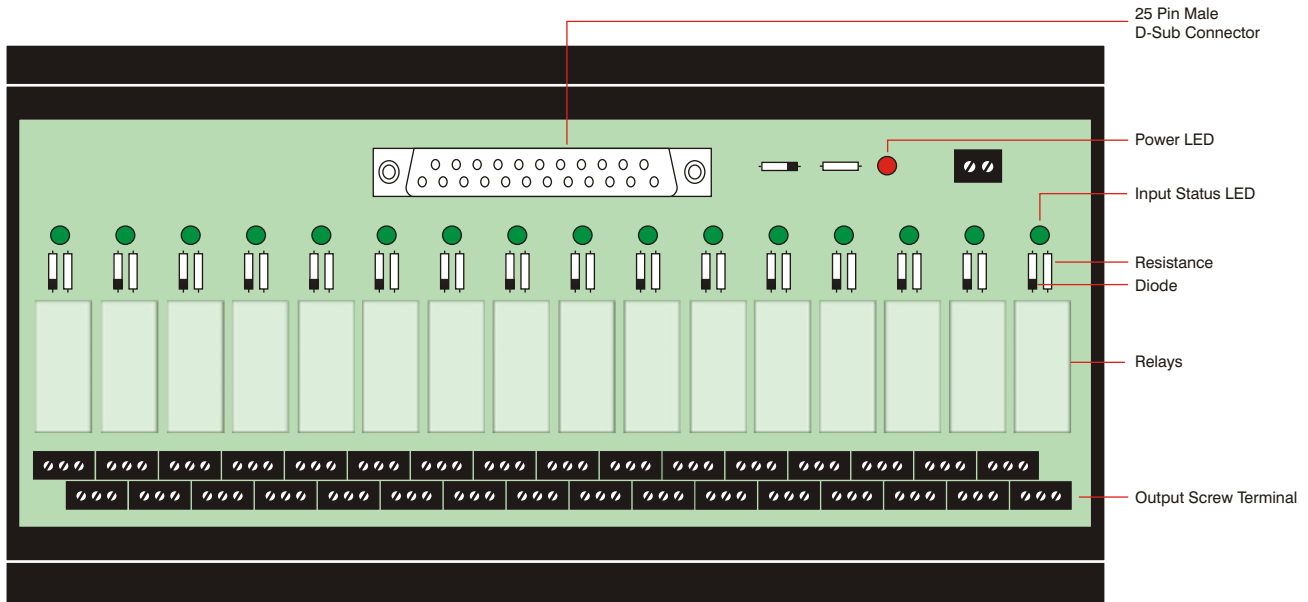
- DO module with 16 miniature relays.
- With base (Relay-pluggable).
- Coil voltage 24V DC.
- 2 change over.
- Used for interfacing PLC digital output to field devices.
- Freewheeling diode across relay coil for protection.
- Elimination of single core wiring, connection through a pre-fab plug in cable.
- Reduces the installation & commissioning time.
- Provides ease trouble-shooting & maintenance.
- Mounting DIN 35 carrier rail.



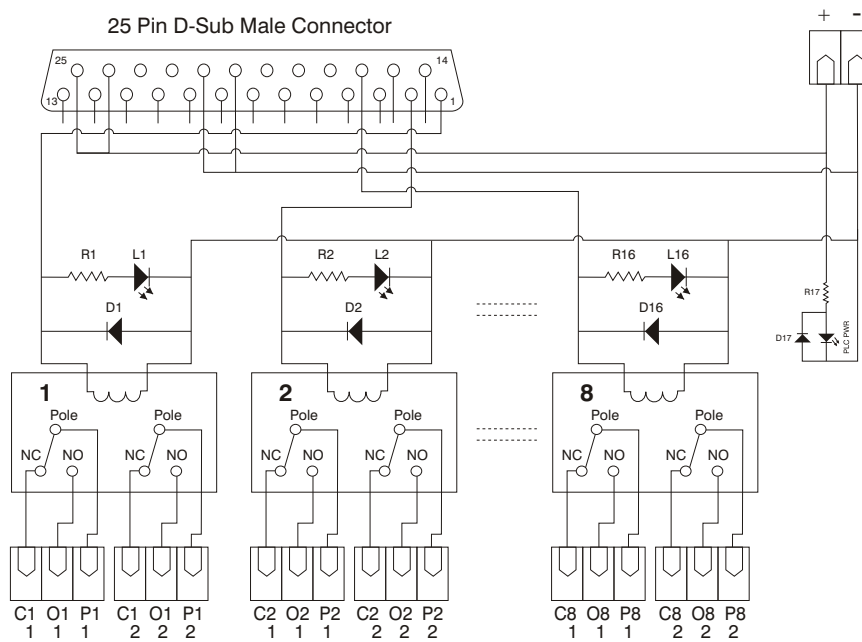
TECHNICAL SPECIFICATION									
INPUT DATA									
Input voltage	24V DC								
Input current	21.8 mA								
Coil resistance	1100 Ω								
CONTACT DATA									
2CO									
No. of contact	2 PDT								
Rated load (Resistive)	5A, 250V AC/30V DC								
(Inductive)	2A, 30V DC/3A, 250V AC								
Contact resistance	50 mΩ max								
GENERAL DATA									
Relay	Omron, IDEC, Tyco or equivalent								
Module height (H)	75 mm								
Module depth (D)	126 mm								
Color	Black								
Operating temperature	0°C to 50°C								
Storage temperature	-10°C to 60°C								
Relative humidity	5 to 95% RH								
Indication	Green LED for input status								
Protection	Freewheeling diode across relay coil								
Isolation	Galvanic								
CONNECTION DATA									
Input connection type	D-Sub 25 pin male connector								
Make	Essen, FCI, any imported								
Output Connection Type	Screw connection (PCB terminal block)								
Make	Phoenix Contact								
Nominal current carrying capacity	22A								
Rated voltage capacity	250V								
Conductor cross section solid	Min/Max. 0.2/4.0 mm ²								
Conductor cross section stranded	Min/Max. 0.2/2.5 mm ²								
MODEL									
TT-IMRB-16024D2S-DO(D25M)	<table border="1"> <thead> <tr> <th>Article No.</th> <th>No. of relays</th> <th>Module length</th> <th>Pcs./Pkt.</th> </tr> </thead> <tbody> <tr> <td>01 17 04037</td> <td>16</td> <td>292 mm</td> <td>01</td> </tr> </tbody> </table>	Article No.	No. of relays	Module length	Pcs./Pkt.	01 17 04037	16	292 mm	01
Article No.	No. of relays	Module length	Pcs./Pkt.						
01 17 04037	16	292 mm	01						

16 CHANNEL DIGITAL OUTPUT MODULE WITH D-SUB CONNECTOR

Layout of TT-IMRB-16024D2S-DO(D25M)



Schematic of TT-IMRB-16024D2S-DO(D25M)



DI/DO MODULE

16 CHANNEL DIGITAL INPUT MODULE WITH D-SUB CONNECTOR

Main Features

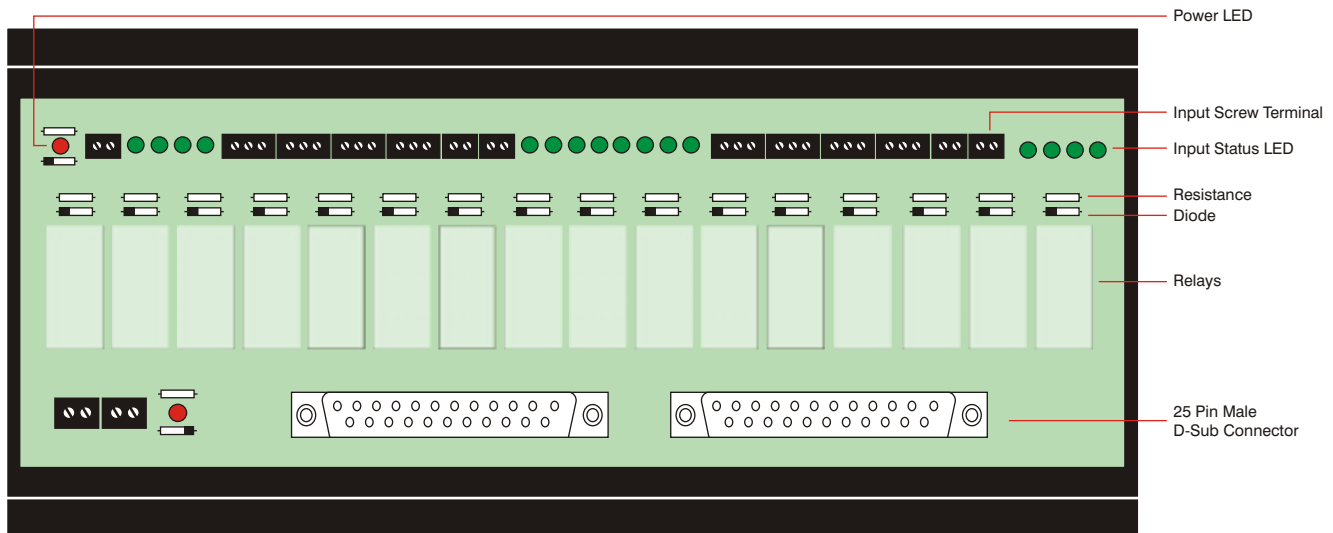
- DI module with 16 miniature relays.
- With base (Relay-pluggable).
- Coil voltage 24V DC.
- 2 change over.
- Used for interfacing PLC digital inputs to field devices.
- Freewheeling diode across relay coil for protection.
- Elimination of single core wiring, connection through a pre-fab plug in cable.
- Reduces the installation & commissioning time.
- Provides ease trouble-shooting & maintenance.
- Mounting DIN 35 carrier rail.



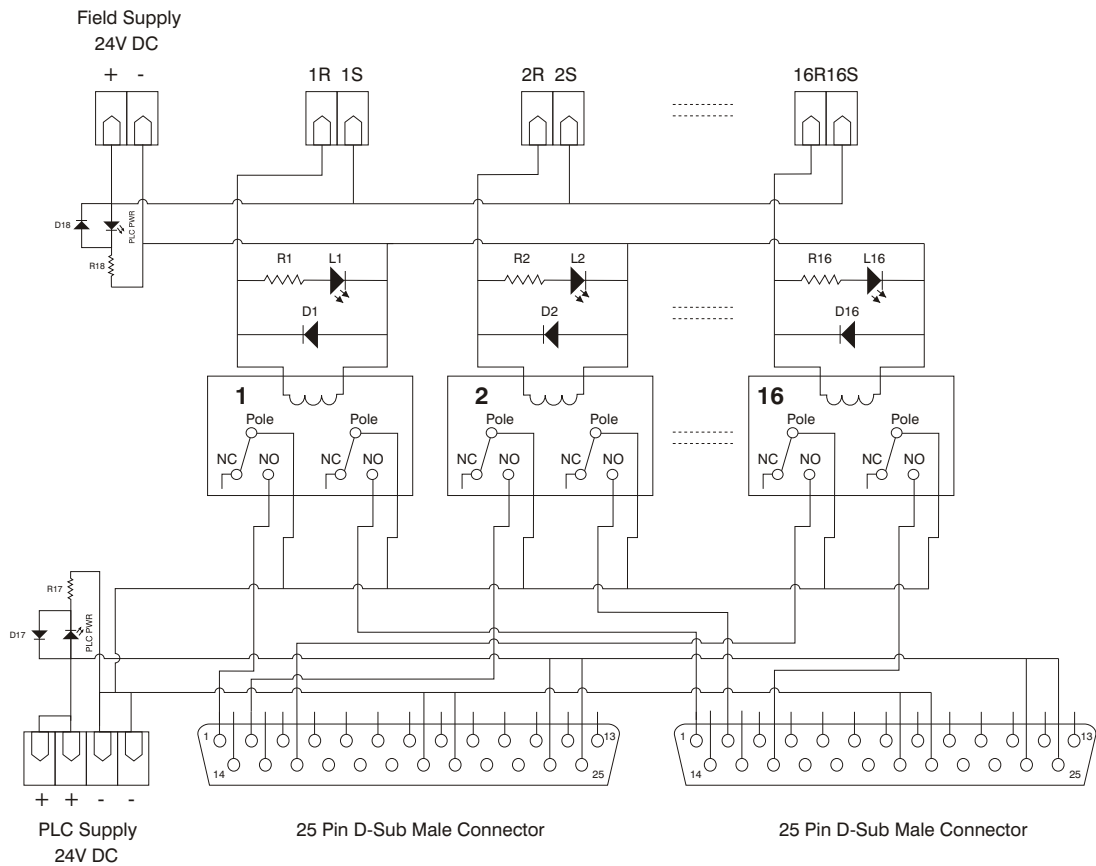
TECHNICAL SPECIFICATION									
INPUT DATA									
Input voltage	24V DC								
Input current	21.8 mA								
Coil resistance	1100 Ω								
CONTACT DATA									
No. of contact	2PDT								
Rated load (Resistive)	5A, 250V AC/30V DC								
(Inductive)	2A, 30V DC/3A, 250V AC								
Contact resistance	50 mΩ max								
GENERAL DATA									
Relay	Omron, IDEC, Tyco or equivalent								
Module height (H)	75 mm								
Module depth (D)	126 mm								
Color	Black								
Operating temperature	0°C to 50°C								
Storage temperature	-10°C to 60°C								
Relative humidity	5 to 95% RH								
Indication	Green LED for input status								
Protection	Freewheeling diode across relay coil								
Isolation	Galvanic								
CONNECTION DATA									
Output connection type	D-Sub 25 pin male connector for each individual change over								
Make	Essen, FCI, any imported								
Input Connection Type	Screw connection (PCB terminal block)								
Make	Phoenix Contact								
Nominal current carrying capacity	24A								
Rated voltage capacity	250V								
Conductor cross section solid	Min/Max. 0.2/4.0 mm ²								
Conductor cross section stranded	Min/Max. 0.2/2.5 mm ²								
MODEL									
TT-IMRB-16024D2S-DI2X25M	<table border="1"> <thead> <tr> <th>Article No.</th> <th>No. of relays</th> <th>Module length</th> <th>Pcs./Pkt.</th> </tr> </thead> <tbody> <tr> <td>01 17 04032</td> <td>16</td> <td>290 mm</td> <td>01</td> </tr> </tbody> </table>	Article No.	No. of relays	Module length	Pcs./Pkt.	01 17 04032	16	290 mm	01
Article No.	No. of relays	Module length	Pcs./Pkt.						
01 17 04032	16	290 mm	01						

16 CHANNEL DIGITAL INPUT MODULE WITH D-SUB CONNECTOR

Layout of TT-IMRB-16024D2S-DI2X25M



Connection Diagram of TT-IMRB-16024D2S-DI2X25M

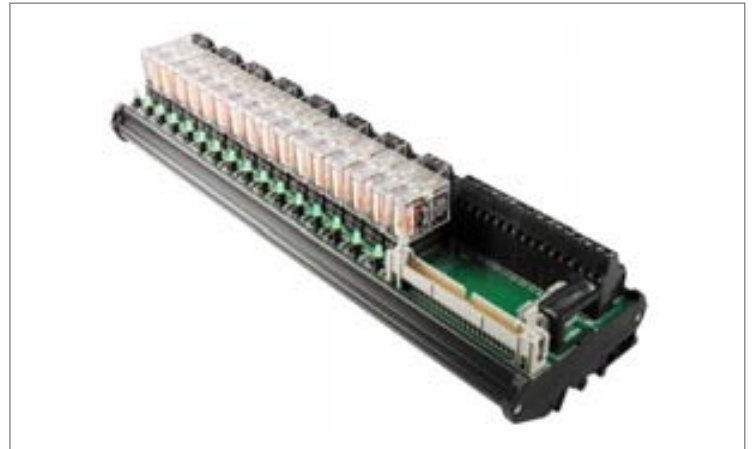


CNC MODULE

CNC INTERFACE MODULE WITH 24 INPUTS & 16 OUTPUTS

Main Features

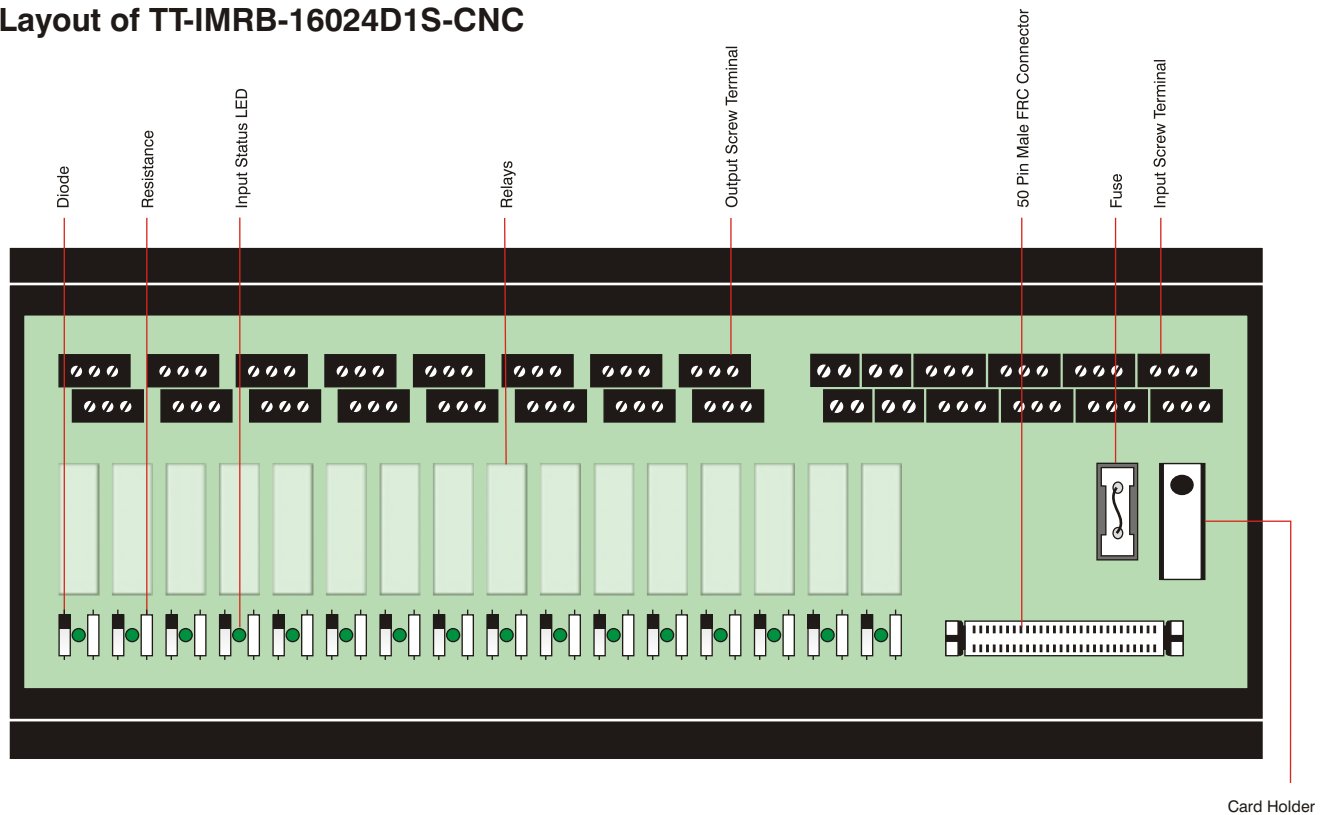
- CNC module having 24 inputs and 16 outputs.
- Serve the purpose of one passive module (for CNC inputs) and one 16 channel relay module (for CNC outputs) on single module.
- Module with 16 interposing relays.
- With base (Relay-pluggable).
- Coil voltage 24V DC.
- 1 changeover.
- Freewheeling diode across relay coil for protection.
- FRC 50 connector is provided on input side of the CNC module for the termination of CNC inputs and outputs.
- Mounting DIN 35 carrier rail.



TECHNICAL SPECIFICATION				
INPUT DATA				
No. of direct / Input signal	24			
Input voltage	24V DC			
Input current	21.8 mA			
Coil resistance	1100 Ω			
CONTACT DATA				
No. of output signals	16			
No. of contacts	1 PDT			
Rated load (Resistive)	10A, 250V AC/30V DC			
(Inductive)	5A, 30V DC/7.5A, 250V AC			
Contact resistance	30 mΩ _{max}			
GENERAL DATA				
Relay	Omron, IDEC, Tyco or equivalent			
Module height (H)	75 mm			
Module depth (D)	90 mm			
Color	Black			
Operating temperature	0°C to 50°C			
Storage temperature	-10°C to 60°C			
Relative humidity	5 to 95% RH			
Indication	Green LED for input status			
Protection	Freewheeling diode across relay coil			
CONNECTION DATA				
Input connection type	FRC connector having 50 pins male			
Make	FCI, Omron, Essen Deinki or equivalent			
Output connection type	Screw connection (PCB terminal block)			
Make	Phoenix Contact			
Specification	22A, 250V			
Conductor cross section solid	Min/Max. 0.2/4.0 mm ²			
Conductor cross section stranded	Min/Max. 0.2/2.5 mm ²			
MODEL				
Article No.	No. of relays	Module length	Pcs./Pkt.	
TT-IMRB-16024D1S-CNC	01 17 02933	16	312 mm	01

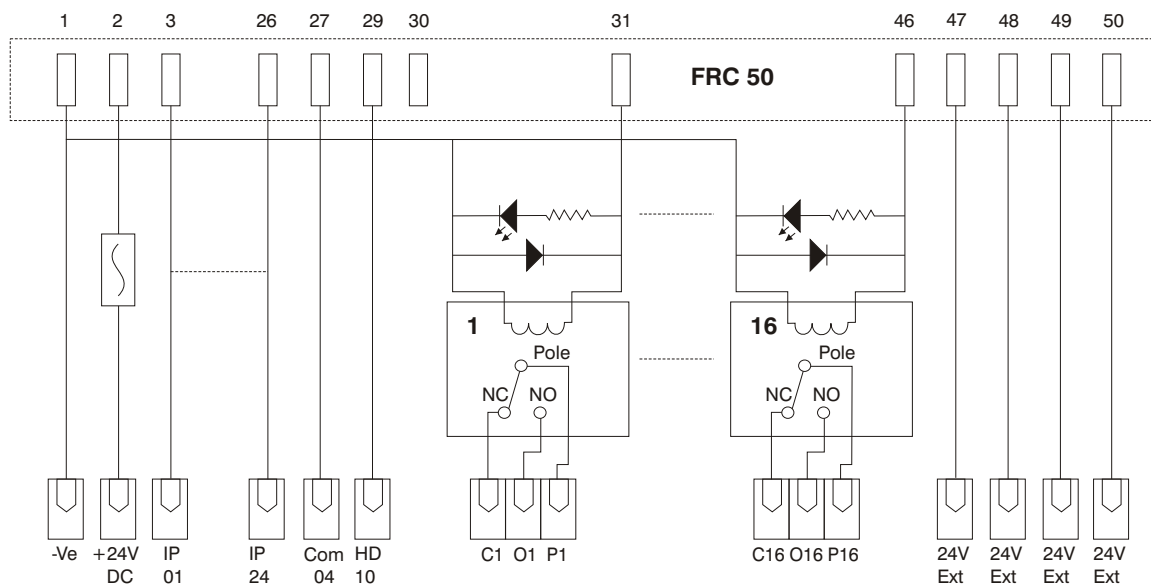
CNC INTERFACE MODULE WITH 24 INPUTS & 16 OUTPUTS

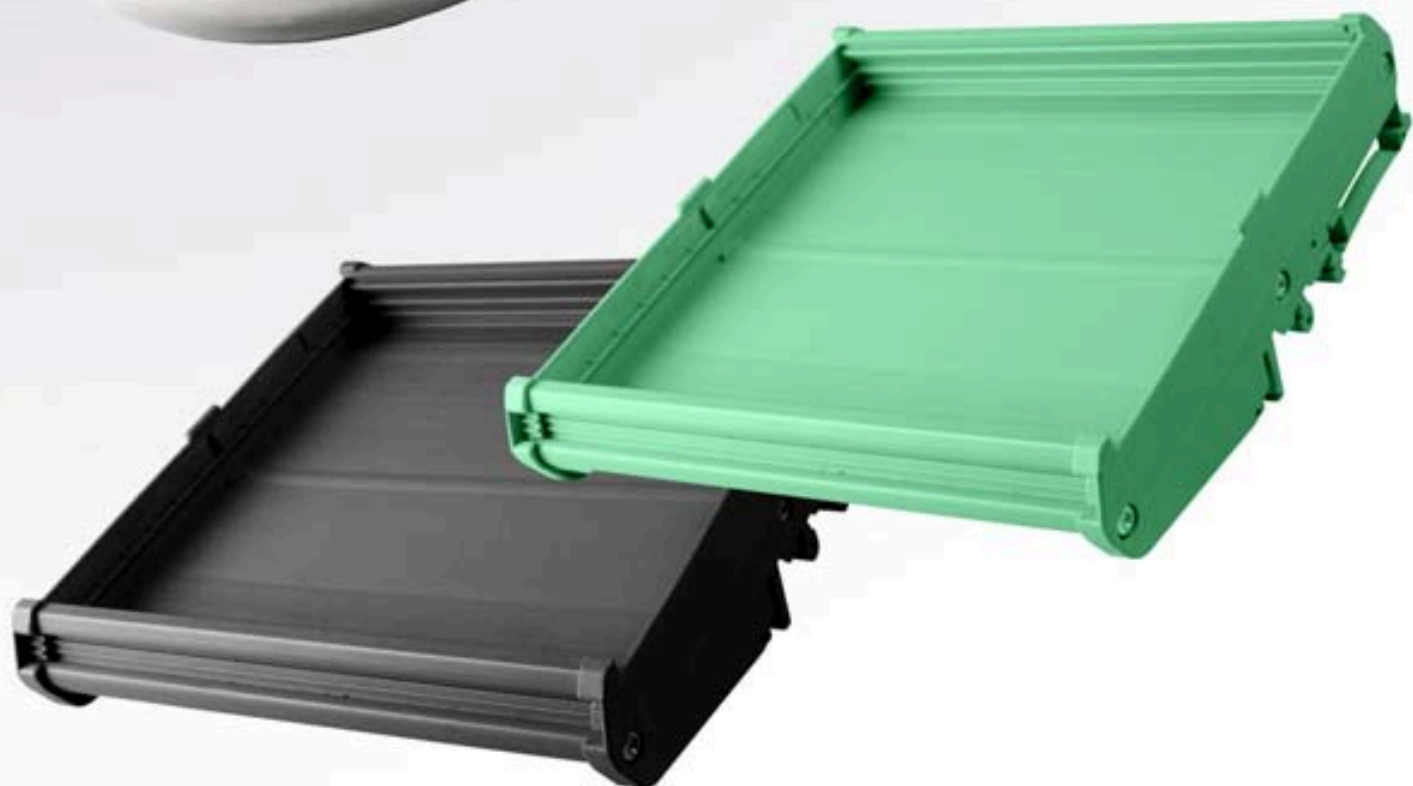
Layout of TT-IMRB-16024D1S-CNC



Card Holder

Schematic of TT-IMRB-16024D1S-CNC







5

Section

Cable Assembly & Components for Interface Modules	70-78
Cable Assembly	70-71
With FRC, D-Sub and EDAC Connectors.....	70-71
Components for Interface Modules	72-78
DIN Rail Mounted PCB Support.....	72-73
Fuse Holders.....	74
Connectors.....	75
Electromechanical Relays.....	76-77
Solid State Relays.....	78

CABLE ASSEMBLY

CABLE ASSEMBLY WITH FRC, D-SUB AND EDAC CONNECTOR

Cable Assembly

Ready to use system cables assembled with different types of connectors (FRC, D-SUB etc) are commonly known as Cable Assembly. They are used to ensure a reliable connection between the automation equipments & the modules. These cables are connected into 1:1 Connection.

The cables are pre assembled round cables which are available in all customized length. These cables can withstand operational ambient temperature of -20°C to 50°C. The standard available cable brands are LAPP, HELUKABEL or any equivalent imported brand.



Round shielded / Non shielded cable assemblies with flat ribbon connectors (FRC).

Properties

- Cable conductor cross-section- AWG 26/0.14 mm².
- Max. permissible current capacity per path-1A.
- Operating Voltage- 50 VAC/ 60 VDC.

Non Shielded cable assembled with FRC connectors at both ends.

- Available in - 10, 14, 16, 20, 26, 34, 40, 50.

Non Shielded cable assembled with FRC connector at one end and other end open fitted with ferrules / lugs.

- Available in - 10, 14, 16, 20, 26, 34, 40, 50.

Non Shielded cable assembled with 50 pin FRC connector at one end and 40 pin FCN female connector at other end.

Shielded cable assembled with FRC connectors at both end.

- Available in - 10, 14, 16, 20, 26, 34, 40, 50.

Customized cables assembled with different-different connectors are also available on request.

Any customised lengths are available as per requirements.



Round shielded / Non shielded cable assemblies with D-Sub connectors

Properties

- Cable conductor cross-section- AWG 26/0.14 mm² / AWG 24/0.25 mm².
- Max. permissible current capacity per path-2A.
- Operating Voltage- 125 VAC/ VDC.
- Shield-Tinned Copper Braided Shield.

Round shielded / Non shielded cable with D-SUB Male connectors at both ends.

- Available in - 9, 15, 25, 37, 50.

Round shielded / Non shielded cable with D-SUB Female connector at both ends.

- Available in - 9, 15, 25, 37, 50.

Round shielded / Non shielded cable with D-SUB Male connector at one end & D-SUB Female connector at other end.

- Available in - 9, 15, 25, 37, 50.

Round shielded / Non shielded cable with D-SUB Male connector at one end & other end open fitted with ferrules / lugs.

- Available in - 9, 15, 25, 37, 50.

Round shielded / Non shielded cable with D-SUB Female connector at one end & other end open fitted with ferrules / lugs.

- Available in - 9, 15, 25, 37, 50.



Round shielded cable assemblies with ELCO/EDAC connectors.

Properties

- Crimp pins used are gold plated type.
- Cable conductor cross-section- AWG 22/0.5 mm².
- Max. permissible current capacity per path-1.5A.
- Operating Voltage- 25 VAC/ 60 VDC.
- Shield-Tinned Copper Braided Shield.

Round shielded cable with ELCO/EDAC connectors at both ends.

- Available in - 20, 38, 56.

Round shielded cable with ELCO / EDAC connector at one end & other end open fitted with ferrules / lugs.

- Available in - 20, 38, 56.

Any customised lengths are available as per requirements.

Vastly used in oil & gas industries where high class precision is required.

Customised cables assembled with combination of different ELCO / EDAC connectors are also available on request.

CABLE ASSEMBLY WITH FRC, D-SUB AND EDAC CONNECTOR

Round shielded cable assemblies with D-Sub 25 pin male connectors at both ends



Round shielded cable assemblies with D-Sub 37 pin male connectors at both ends



Round shielded cable assemblies with D-Sub 25 pin female connectors at both ends



Round shielded cable assemblies with D-Sub 15 pin male at one end and female at other end



Round shielded cable assemblies with 50 pin FRC connector at one end and other end open fitted with ferrule



Round shielded cable assemblies with 34 pin FRC connectors at both ends



COMPONENTS FOR INTERFACE MODULES

DIN RAIL MOUNTED PCB SUPPORT

DIN Rail (EN 60715) Mounted PCB Support



The compact PCB mounting profile provides a multiple possibilities for the construction of electronics circuits. This enables the user to develop individual practical electronic modules. Depending on the required module size and the space available. The profile can be cut to length and combined with side and foot elements to form a module.

Further advantages

- Quick assembly.
- Labeling facilities in the mounting profile.
- Side element using SS-ZB marking material.

The PMP..72 and PMP..108 panel mounting bases have three levels for accommodating the printed circuit boards. This enables a flexible printed circuit board assembly, which is particularly space-saving, even for SMD technology. Two profiles for printed circuit board sizes of 72 mm or 107.5 mm are available for comprehensive electronics circuits and multi-position connection methods. The profiles are available in lengths up to 100 cm for this arrangement.

Further advantages

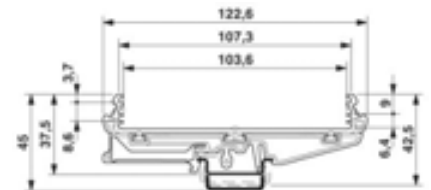
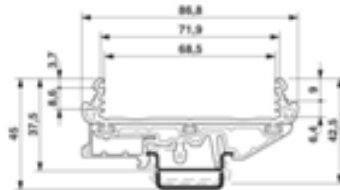
- Fast installation on conventional  or  DIN rails.
- The modules can be marked with Trinity Touch marking material in the label grooves.
- Side elements with foot elements to form the PCB module to be mounted on all the conventional DIN rail (EN 60715).



Material information concerning the housing







PVC profile inflammability class VO (UL 94) Polyamide PA side elements. Inflammability class VO (UL 94).

To define the profile length and width please observe the order key please indicate the desired length in (cm).



PM...72-PROFILE

PM...108-PROFILE

DESCRIPTION	Type	Article No.	Pcs. Pkt.	Type	Article No.	Pcs. Pkt.
Drawn section Found length 100cm Cut to length according to customer specifications	TT-PMP-MC72-GR	01 17 00890	1	TT-PMP-MC108-GR	01 17 00894	1
	TT-PMP-MC72-BL	01 17 00899	1	TT-PMP-MC108-BL	01 17 00903	1
Side element with foot , 5mm wide, right hand side, for mounting on  or 	TT-PMP-RSC72WF-GR	01 17 00891	10	TT-PMP-RSC108WF-GR	01 17 00895	10
	TT-PMP-RSC72WF-BL	01 17 00900	10	TT-PMP-RSC108WF-BL	01 17 00904	10
Side element with foot , 5 mm wide, left hand side for mounting on  or 	TT-PMP-LSC72WF-GR	01 17 00892	10	TT-PMP-LSC108WF-GR	01 17 00896	10
	TT-PMP-LSC72WF-BL	01 17 00901	10	TT-PMP-LSC108WF-BL	01 17 00905	10
Side element , 5 mm wide	TT-PMP-SC72-GR	01 17 00916		TT-PMP-SC108-GR	01 17 00897	
	TT-PMP-SC72-BL	01 17 00917		TT-PMP-SC108-BL	01 17 00906	
Foot element , for mounting on  or  , under the PMP..72 or PMP..108 profile housing	TT-PMP-FC72-GR	01 17 00893	10	TT-PMP-FC108-GR	01 17 00898	10
	TT-PMP-FC72-BL	01 17 00902	10	TT-PMP-FC108-BL	01 17 00907	10
Markers, unprinted, 5-section, for snapping into devices and components with special marker groove, labeling with M PEN or CMS system, lettering field size: 20x8 mm, white for SAB boxes.	TT-PMP-ACC-MARKER	01 17 00908	1			

DIN RAIL MOUNTED PCB SUPPORT

Profile housing, in profile width: 72 mm, 108 mm available.

GENERAL DATA	
Housing type	Panel mounting base
Housing material	PVC
Colors	Green, Black
TECHNICAL DATA	
Inflammability class acc. to UL 94	V0
CONFIGURATION OPTIONS	
PMP profile PCB width	108 mm (PMP...108) 72 mm (PMP...72)
Number of positions	Pale green (...GR) Jet black (...BL)

Application:

Relay modules, Switch modules, Fuse modules, Diodes modules, Power supply modules, Over-voltage protection modules, Pats transmission & receiver modules, Analogue/ Digital convertor etc...

PM...72-PROFILE



PM...108-PROFILE



COMPONENTS FOR INTERFACE MODULES

FUSE HOLDERS

Fuseholders

We have extensive range of PCB mount fuse holders, which are designed to give the degree of protection as per the demand in today's sophisticated electronic equipment.



FX 320

- PCB mount
- Protection category PC 1
- Fuse size 5X20 mm
- PC spills
- 6.3A, 250V



FX 456 & FX 457

- 2 pin PCB horizontal & vertical mount
- Protection category PC 2
- Fuse size 5X20 mm
- Bayonet cap/Screwdriver
- 10A, 250V



FH 4

- 4 pin PCB vertical mount
- Protection category PC 2
- Fuse size 5x20 mm
- Bayonet cap / Screwdriver
- PC Spills
- 10A,250 V



12760

- Insulation cover
- Provide Insulation from live parts on fuse holder
- Clear & transparent
- Polycarbonate

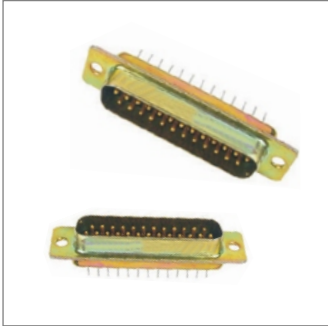
SPECIFICATIONS	FX 320	FX 456 & FX 457	FH 4	12760
Fuse size	5X20 mm	5X20 mm	5X20 mm	For use with FX 320
Fuse carrier		Bayonet cap/ Screwdriver	Bayonet cap/ Screwdriver	Max. working voltage : 250V AC
Terminations	PC spills	PC spills	PC spills	Flash tested to : 2kV AC
Max. rating	6.3A, 250V	10A, 250V	10A, 250V	
Max. power dissipation		2.5W (@23°C)	2.5W (@23°C)	
Insulation resistance	> 10 ⁵ MΩ @ 500V DC	> 10 ² MΩ @ 500V DC	> 10 MΩ @ 500V DC	
A.C. Breakdown	7kV @ 50Hz (clip to clip)	4kV @ 50Hz	>2kV	
Contact resistance	< 10mΩ	< 10mΩ	< 10mΩ	
Operating temperature (ambient air temp. +fuse temp. rise)	-20°C to +85°C	-20°C to +85°C	-20°C to +85°C	
Body	Glass filled nylon UL 94 V-0 rated	Polyester UL 94V-0 rated	Glass filled nylon UL 94 V-0 rated	
Cap		Nylon UL 94V-0 rated	Nylon UL 94V-0 rated	
Contacts	Phosphor bronze, Tin plated	Brass, Silver plated	Tin plated, Copper alloy	
Approval	RoHS compliant	RoHS compliant	RoHS compliant	

CONNECTORS

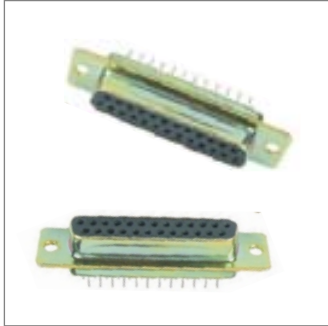
D-Sub Connector

The D-Sub miniature or D-Sub is a common type of electrical connector. They are named for their characteristic D-shaped metal shield. D-Sub connectors are designed to ensure the connection function in all applications where weight and dimension are very important. They are especially used as input/output connectors in interface functions.

Solder Type - Male



Solder Type - Female



Bucket Type - Male



Bucket Type - Female



Plastic Hood

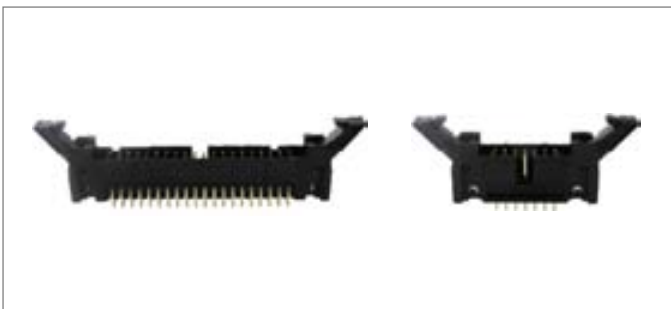
- A Miniature Relay with 1-pole 3A/5A Switching Capability and 10 kV Impulse Withstand Voltage.
- Highly efficient magnetic circuit for high sensitivity (200 mW).
- Small, yet provides 10-kV impulse withstand voltage (between coil and contacts).
- Standard model conforms to UL/CSA/VDE standards.
- Satisfies EN61010 reinforced insulation requirements.



FRC Connector

Flat ribbon cable connectors are commonly called wire to board connector and wire to wire connectors. They are mainly of two types i.e. PCB solder type and wire crimp type

Box Header 2.54 mm



IDC Socket 2.54 mm



COMPONENTS FOR INTERFACE MODULES

ELECTROMECHANICAL RELAYS



G2R-(S) Series

- Slim and space-saving power plug-in relay.
- Lockable test button models now available.
- Built-in mechanical operation indicator.
- AC type is equipped with a coil-disconnection self diagnostic function (LED type).
- High switching power (1-pole: 10 A).
- RoHS compliant.



G2R Series

- Conforms to VDE0435 (VDE approval: C250 insulation grade), UI508, CSA22.2, SEV, SEMKO.
- High-sensitivity (360 mW) and high-capacity(16 A) types available.
- Double-winding latching type available.
- Plug-in with test button and quick-connect terminals available.



MY Series

- Versatile, multi-featured, miniature power relay for sequence control and power switching applications.
- Multiple features available, including operation indicators (mechanical and LED indicators), lockable test button, built-in diode and CR (surge suppression), bifurcated contacts, etc.
- Max. switching current : 2-pole: 10A, 4-pole: 5A.
- RoHS compliant.



G2RL Series

- High-sensitivity (250 mW) and High-capacity (16 A) versions.
- Designed for cooking and HVAC controls: blower motor, damper, active air purification, duct flow boost fans, etc.
- Conforms to VDE (EN61810-1). UL recognized/CSA certified.
- Meets EN60335-1 requirements for household products.
- Coil insulation system: Class F.
- RoHS compliant.



MY4H Series

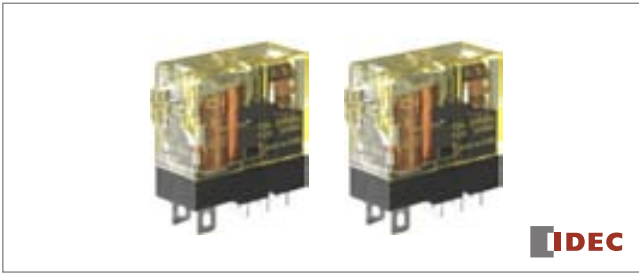
- Hermetically sealed relay ideal for hazardous locations.
- Class 1 division 2 approved.
- Fully hermetically sealed for hazardous locations.
- Cadmium-free contacts for environment-friendly use.
- Models with bifurcated contact also available.
- UL recognized/CSA certified.



G5LE Series

- Cubic, single-pole 10A power relay.
- Ideal for a wide variety of applications such as home appliances, OA equipments, vending machines, etc.
- Ambient operating temperature 85°C.
- UL class-B coil insulation for standard model.
- UL, CSA, EN standards approved and conforms to electrical appliance and material safety law (300V max.).

ELECTROMECHANICAL RELAYS



RJ Series

- Compact housing only 12.7-mm wide.
- Large contact rating.
RJ1S (1-pole): 12A.
RJ2S (2-pole): 8A.
- Non-polarized LED indicator available.
- Electrical life: 200,000 operations (AC load).
Mechanical life: 30 million operations (AC coil).
- UL recognized, CSA certified, EN compliant.



RJ Series - PCB type

- SPDT, SPST-NO, DPDT, DPST-NO SPDT, SPST-NO are available in high capacity type.
- Compact housing - only 12.7-mm wide.
- High contact rating.
RJ1V (1-pole): 12A, 16A.
RJ2V (2-pole): 8A.
- Electrical life: 200,000 operations (AC load).
Mechanical life: 30 million operations (AC coil, SPDT, DPDT).
- Flux-tight structure.



RU Series

- Two terminal styles: plug-in and PCB mount.
- Non-polarized LED indicator available on plug-in relays.
- Mechanical flag indicator available on plug-in relays.
- Manual latching lever with color coding for AC or DC coil.
- Snap-on yellow marking plate; optional marking plates are available in four other colors.
- Maximum contact ratings: 10A (RU2), 6A (RU4), 3A (RU42).
- UL, CSA, c-UL, EN compliant.



RT Series

- Available in DPDT contact form.
- High contact rating of 8A.
- 5kV/10mm coil contact, reinforced insulation.
- Relays are flux proof type.
- Compact in design.



Slim PCB Relays - V23092 Series

- Available in 1 pole SPDT contact form.
- Only 5 mm wide.
- Max. switching current of 6A.
- Sensitive coil 170mW.
- Reinforced insulation (Protection class II).
- Cadmium free contacts, AgNi 90/10 for AC load.
- Comes with wash tight version.
- Strong coil pins for DIN rail sockets.



OJ-SH Series

- Miniature size 18.2 X 10.2 X 14.7h.
- 1 form A (SPST-NO) contact arrangement.
- Designed to meet UL, CSA, VDE, TUV requirements.
- Design to meet 4kV dielectric between coil & contacts.
- Max. Switching rate : 300 ops/min (no load).
30 ops/min (rated load).
- Expected mechanical life : 10 million operations (no load).
- Expected electrical life : 100,000 operations (rated load).

COMPONENTS FOR INTERFACE MODULES

SOLID STATE RELAYS



CN Series

- 5 mm mini SIP SSR.
- Ratings 24VDC @ 3.5A, 48VDC @ 100mA and 240VAC @ 2A.
- DC control, 5, 24 and 60V.
- UL & cUL recognized @ 40°C, 100K-Cycle endurance test.
- CE & RoHS compliant.



CX Series

- SIP SSR.
- Ratings of 5A @ 660V AC.
- SCR output for heavy industrial load.
- AC or DC control.
- Zero crossing (resistive loads) or random fire (Inductive loads) output.
- CE compliant to EN60950-1.



M-OAC & M-ODC Series

- AC modules have high current thyristors with 100 Amp surge capability.
- Plug into mounting boards for 0.6" modules.
- Zero or random turn-on available in AC modules.
- 4kV optical isolation (1500 VAC isolation for FET DC output modules).
- UL recognized, CSA certified, CE compliant.
- Industry standard packaging and color coding black (AC output) red (DC output).



G3R/G3RD Series

- Same shape as SSR type G2R power relay for PCB mounting.
- Direct mounting to PCB.
- Also standardized with input indicator.
- High dielectric strengths of 2500V AC for 2A models.
- High voltage DC version also available.
- Minimum input packing unit is 20 pcs.
- DC control.
- AC & DC outputs available with max. current rating of 2A.



CMX Series

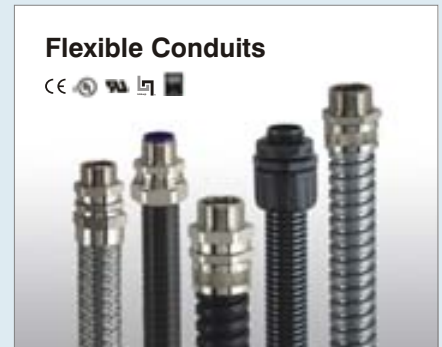
- SIP SSR.
- Ratings to 20A @ 60 VDC, 10A @ 100 VDC, 10A @ 60 VDC and 3A @ 200 VDC.
- MOSFET output.
- DC control.
- Low on-state impedance.
- CE compliant to EN60950-1.



SSR20/SSR21 Series

- Pin to pin compatible with G2R electromechanical relays.
- LED input voltage.
- Non-polarized input.
- Rated operational current upto 5A for DC load models & 3A for AC load models.
- Zero crossing commutation for models with AC voltage output or instantaneous for DC voltage output models.
- Output voltage from 12V AC to 275V AC or from 0V DC to 35V DC.
- 2500V input-output insulation.
- RC filter protection for AC models.

Other Product Programs



Trinity Touch Pvt. Ltd.

www.trinitytouch.com

INDIA

D-10, Defence Colony, New Delhi 110024 INDIA
Tel: +91.11.30895900 Fax: +91.11.30895998
E-mail: postmaster@trinitytouch.com

Works & Warehouse

Prithla- Dudhola road, Dudhola Distt. Palwal 121102,
Haryana INDIA
Tel: +91.11.30895900 E-mail: sales@trinitytouch.com



For further enquiry
Call us at: **1800 2000 140**

Trinity Touch (EUROPE) Ltd.

www.trinitytouch.co.uk

UK

UNIT-I, Tyson Courtyard, Weldon South Industrial Estate, Corby,
Northants, NN18 8AZ, UK
Tel: +44 (0) 1536 400 641 Fax: +44 (0) 1536 268 043
E-mail: gbsales@trinitytouch.com

M/s. NEO TECH ENERGIES.
ADDRESS : FLAT NO : 102, BHAVANI HEIGHTS,
MYTHIRI ENCLAVE, YAPRAL, HYDERABAD - 500 087.
E-MAIL ID : neotechenergies@gmail.com
Contact No : +91 91217 95159.