



Your "Safety"

Your "Life"

Your "Property"

Menics products will always protect.



www.menics.co.kr



Company Description

Since our Menics has been established in June, 1988, we have repeated to develop in the course of the difficult challenge and trial, however, we came to today by your endless leadership and operations. Our Menics who puts the best efforts for the competitive powers and the improvement of the company's value as a highest techniques and quality to the overseas as well as the domestic country had obtained ISO9001 Quality System and KS Recognition and CE, UL and thereafter, we put our best efforts to secure the worldwide competitive as well as upgrade of the added value of the products. With a skill and plenty of experience accumulated so far, our directors and staffs put their efforts to have practice for the customer's satisfaction in order to develop the new product development of the warning light, auto control switch and the circumferential instruments of semiconductor and also to the automobile spare parts, terminal block socket, mold manufacture and injection mold. In the future, our Menics will become into the corporation in life and come to a little light of life and also come to the corporation to make smile around mouth of the customers and also wish you would have the healthy body and ask your endless leadership and encouragement.



Product Features

1. **Polycarbonate Lens**
It's strong against impacts.
2. **Various Colors**
Red, Yellow, Green, Blue, Clear(White)
3. **Diverse Design**
Variety chances to choose
4. **Semi-Permanent**
It's economical
5. **Great Appearance**
It's contributes to apply in electronic equipments widely.
6. **Visible in Various Sides**
A various of projected designs.

Contents

MENICS
SIGNALTECHNOLOGY



Tower Lights

LED	56mm	PTE Series	4 ~ 5
	56mm	PTM Series	6 ~ 7
	56mm	PTD Series	8 ~ 9
	45mm	PL4 Series	10 ~ 11
	45mm	PME Series	12
	86mm	MP8 Series	13
	86mm	ML8 Series	14
		PME Wiring	15
	25mm	PLD Series	16
	56/85mm	MT5C/8C	17
Bulb	45/56/85	MT4B/5B/8B	18 ~ 19
	86mm	SL Series	20
	180mm	MSG Series	21

Signal Lights

LED	90mm	PWE Series	22
	90mm	MWE Series	23
	56mm	MS56L Series	24
	66mm	MS66 Series	25 ~ 26
	86mm	MW86T Series	27
		MW86M Series	28
		MW86T Wiring	29
		MW86N Series	30
		MS86L Series	31
		MS86W Series	32
	MS86T Series	33	
	MS86M Series	34	

Xenon	86mm	MS86S Series	35
	115mm	MS115L Series	36

LED		MS115T Series	37
		MS115M Series	38
		MS115C Series	39

Xenon	115mm	MS115S Series	40
--------------	-------	---------------	----

Bulb	66mm	ML Series	41
	86mm	AS/AP Series	42
	135mm	AVG Series	43
		Bulb Spec.	44

Accessories	45 ~ 47
--------------------	---------

LED Indicators	48 ~ 49
-----------------------	---------

Digital Switches	50 ~ 51
-------------------------	---------

PTE Series D56mm Modular Style LED Tower Light



PTE series tower lights combine the latest LED technology with UL safety technology. With a new concept and innovative design, PTE series tower lights are ideal for factory automation and many applications.

- Stylish design
- LED modular components
- Bright & even light distribution through prism-cut lenses
- Fast & easy assembly with inter-locking construction
- 8 mounting options
- Optional 80dB Buzzer (fixed or adjustable volume)
- IP65 rated
- RoHS compliant



Ordering Information

PTE - A P F - 3 02 - RYG - B (H) W

① ② ③ ④ ⑤ ⑥ ⑦ ⑧ ⑨

* Options

1. Body Unit

			Apply to Mounting style
S	Flat Based Body	Code7	C
A	Pole Mount Standard Body	Code7 + Code10	G/P/R/M/W/D/J
D	Short Body	Code6	P/R/M/W/D/J
T	Terminal Body	Code15	G/P/R/M/W/D/J
L	Small Surface Body	Code17	C

Note: "D", "L" Type - Power Supply 24V AC/DC only

2. Mounting Style

C	Surface Mount	Code 18
G	Plastic mount base (MAM-B070F)	Code 8 + Code 16
P	Pole + Plastic mount base (MAM-B070D)	Code 8 + Code 11
R	Pole + Rotate plastic mount base (MAM-B070R)	Code 8 + Code 20
M	Pole + Plastic M20 screw mount base (MAM-I025)	Code 8 + Code 9
W	Pole + Wall mount bracket (MAP-DS40)	Code 8 + Code 12
D	Pole + Aluminum Pole mount base (MAM-DS32)	Code 8 + Code 22
J	Pole Adjustable Type	Code 21 + Code 11

Note: R type Mount base - 180-degree revolution
J type Product whole length - See page 47

3. Light Style

	Steady Light
F	Steady + Flashing Light
B	Steady + Buzzer (Fixed Sound)
V	Steady + Buzzer (Adjustable Sound)
Z	Steady + Flashing + Buzzer (Fixed Sound)
X	Steady + Flashing + Buzzer (Adjustable Sound)

4. Number of Stacks

1	1 Light
2	2 Lights
3	3 Lights
4	4 Lights
5	5 Lights

Note: Buzzer type - up to 4 tiers

5. Power Supply

02	24VAC/DC
FF	90~240VAC

6. LED Colors (Top to Bottom)

R	Red	B	Blue
Y	Yellow	C	Clear
G	Green		

Options

7. Body Color

B	Black
---	-------

Note: Standard Body Color - White Ivory

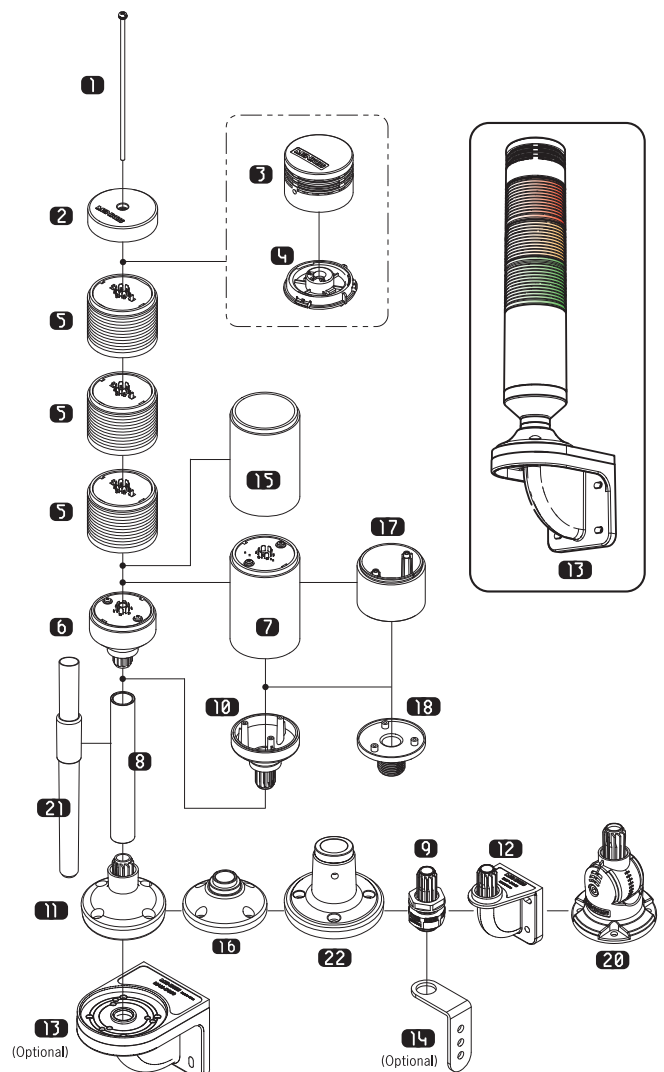
8. Option

(V)	Continuous Flashing Flashing Cycle: (240times/minute)
(C)	Buzzer Continuous sound (Sound: Pe-----)
(H)	Buzzer 10~100dB type - Adjustable Sound - Model: MPZ-56H

9. Lens Colors

W	All Lens Colors - Clear
---	-------------------------

Exploded View / Part Code



See Page 45 ~ 47
for Mounting Options and Accessories.



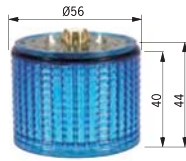
Specifications

Body Units

Operation/Function	Steady, Flashing, Buzzer
Power Supply	24VAC/DC, 90 ~ 240VAC (50/60Hz)
Lens Colors	Red, Yellow, Green, Blue & Clear
Maximum Tier	5 Tiers (Buzzer type: 4 Tiers)
Flash Rate (±10%)	80times/minute, 240times/minute (Option 'V' type)
Vibration	0.75mm at 10~55Hz
Ambient Temperature	-15 to 40°C
Storage Temperature	-20 to 70°C
Ambient Humidity	45 ~ 85% RH
Degree of Protection	IP65 / IP50 (with Buzzer)
Approvals	CE, UL, RoHS
Recommended Wire Size	UL1007 / 22AWG

Current consumption

LED Color Unit	24VAC	90~240VAC	
Current ±10%	Red	33mA	17mA
	Yellow	27mA	17mA
	Green	42mA	22mA
	Blue	42mA	22mA
	Clear	42mA	22mA
			(Maximum value)
Weight	App. 43.0g		



Buzzer Kits

Type	Standard Buzzer Sound - pi pi pi pi		
Model	MPZ-56F	MPZ-56G	MPZ-56H
Level Style	Fixed Sound	Adjustable Sound Level	Adjustable Sound Level
Sound Level	80±5dB at 1m	10~80±5dB at 1m	10~100±5dB at 1m
Current / Power	30mA / 0.72W	30mA / 0.72W	150mA / 3.6W

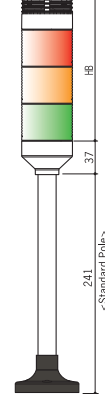
Dimensions

<Unit: mm>

Standard Pole Length : 225mm

PTE-DD

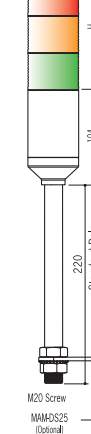
PTE-DP



PTE-AM

PTE-AD, PTE-TD

PTE-AP, PTE-TP



PTE-LC

PTE-SC



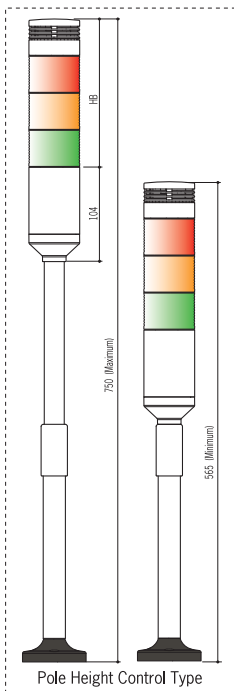
PTE-TC



PTE-AG



PTE-AJ <Standard Type>



※ J type product length - See page 47

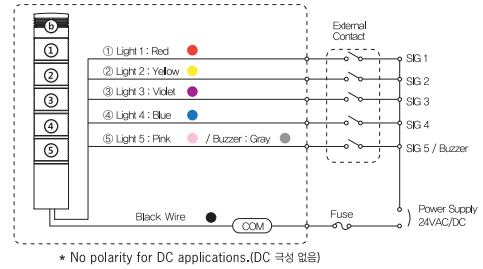
	H	HB
1 Light	56	81
2 Lights	97	122
3 Lights	138	163
4 Lights	179	204
5 Lights	220	

※ The above specifications are changeable at anytime without notice.

Wiring Diagram

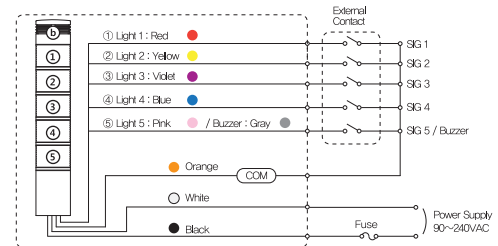
24VAC/DC

Steady Lights (with Buzzer)



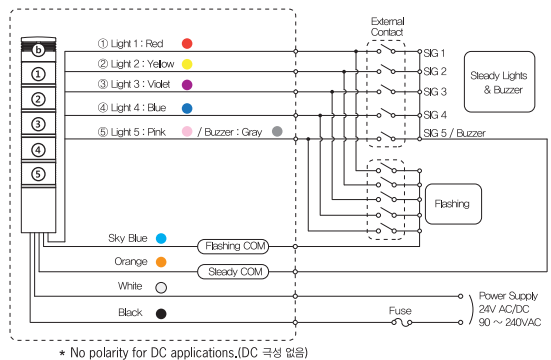
90 ~ 240VAC

Steady Lights (with Buzzer)



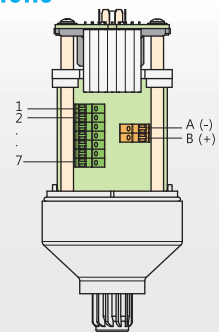
24VAC/DC, 90 ~ 240VAC

Steady or Flashing Lights (with Buzzer)



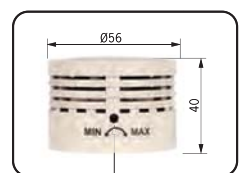
Terminal Type Connections

Pin #	Description
1	Light 1
2	Light 2
3	Light 3
4	Light 4
5	Light 5 or Buzzer
6	Steady COM
7	Flashing COM
A	Power Supply (-)
B	Power Supply (+)



Recommended Wire Size
 UL 1007 AWG 22~16
 UL 1430 AWG 22~16
 ※ Use 75°C CU Wire only.

Buzzer Kits Dimensions



Sound Level Adjuster
 Model: MPZ-56G, MPZ-56H

PTM Series D56mm LED 3 Colors in 1 Tower Light



Versatile, cost and energy efficient LED Signal Tower for every need.



Feature

- 3 colors in 1 LED modular components
- Bright & even light distribution through prism-cut lenses
- Fast & easy assembly with inter-locking construction
- 8 mounting options
- Optional 80dB Buzzer (fixed or adjustable volume)
- IP65 rated
- RoHS compliant



Ordering Information

PTM- A P F - 1 02 - RYG - B (V)

① ② ③ ④ ⑤ ⑥ ⑦ ⑧

* Options

1. Body Unit

			Apply to Mounting style
S	Flat Based Body	Code7	C
A	Pole Mount Standard Body	Code7 + Code10	G/P/R/M/W/D/J
D	Short Body	Code6	P/R/M/W/D/J
T	Terminal Body	Code15	G/P/R/M/W/D/J
L	Small Surface Body	Code17	C

Note: "D", "L" Type - Power Supply 24VAC/DC Only

2. Mounting Style

C	Surface mount	Code 18
G	Plastic mount base (MAM-B070F)	Code 8 + Code 16
P	Pole + Plastic mount base (MAM-B070D)	Code 8 + Code 11
R	Pole + Rotate plastic mount base (MAM-B070R)	Code 8 + Code 20
M	Pole + Plastic M20 screw mount base (MAM-I025)	Code 8 + Code 9
W	Pole + Wall mount bracket (MAP-DS40)	Code 8 + Code 12
D	Pole + Aluminum pole mount base (MAM-DS32)	Code 8 + Code 22
J	Pole Adjustable Type	Code 21 + Code 11

Note: R type Mount base - 180-degree revolution

3. Light Style

	Steady Light
F	Steady + Flashing Light
B	Buzzer (Fixed Sound)
V	Buzzer (Adjustable Sound)
Z	Steady + Flashing + Buzzer (Fixed Sound)
X	Steady + Flashing + Buzzer (Adjustable Sound)

4. Number of Stacks

1	1 Stack
---	---------

5. Power Supply

02	24VAC/DC
FF	90 ~ 240VAC

6. LED Colors

RYG	Red, Yellow, Green
RGB	Red, Green, Blue

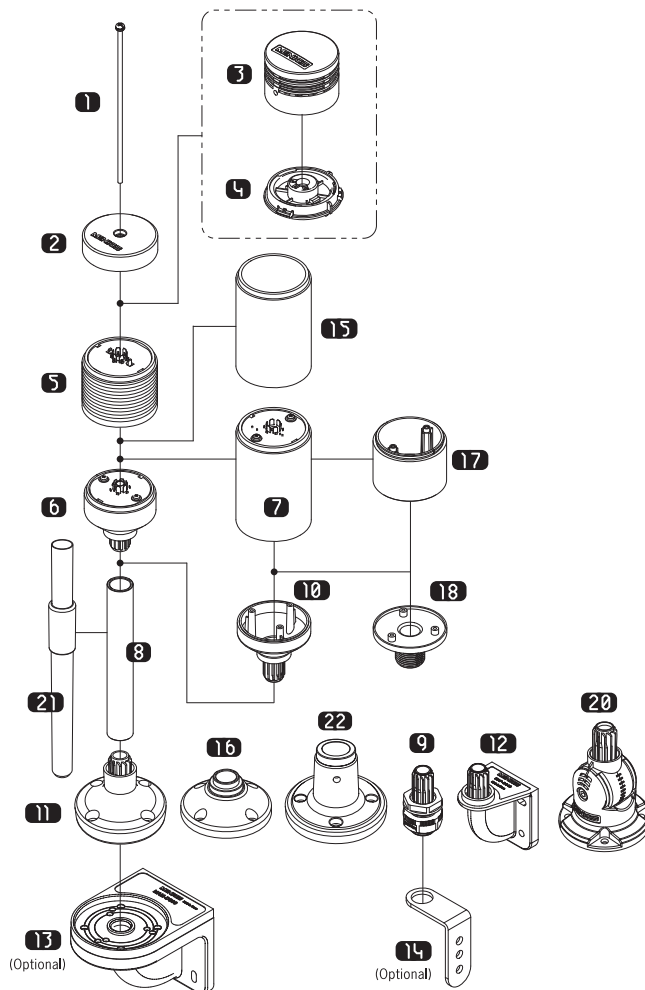
Options

7. Body Color	
B	Black

Note: Standard Body Color - White Ivory

8. Light Style	
(V)	Continuous Flashing Flashing Cycle: (240times/minute)
(C)	Buzzer Continuous sound
(H)	Buzzer 10-100dB type -Adjustable Sound

Exploded View / Part Code



See Page 45 ~ 47
for Mounting Options and Accessories.

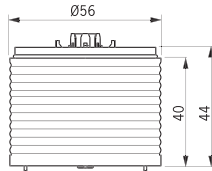
Specifications

Body Units

Operation/Function	Steady, Flashing, Buzzer
Power Supply	24VAC/DC, 90 ~ 240VAC (50/60Hz)
Lens Color	Clear
Maximum Tier	1
Flash Rate (±10%)	80times/minute, 240times/minute (Option 'V' type)
Vibration	0.75mm at 10~55Hz
Ambient Temperature	-15 to 40°C
Storage Temperature	-20 to 70°C
Ambient Humidity	45~85% RH
Degree of Protection	IP65 / IP50 (with Buzzer)
Approvals	CE, UL, RoHS
Recommended Wire Size	UL1007 / 22AWG

Current consumption

LED Unit	Current	
	24V	90 ~ 240V
3 Colors in 1	RYG. 35mA	RYG. 16mA
	RGB. 35mA	RGB. 16mA
	(Maximum)	(Maximum)
Weight	App. 43g	

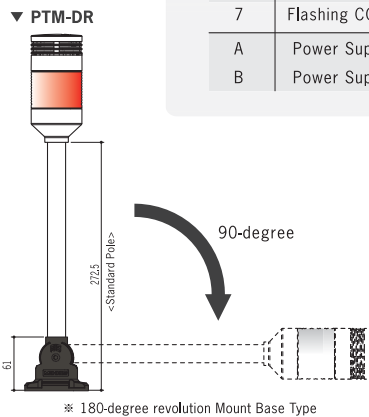
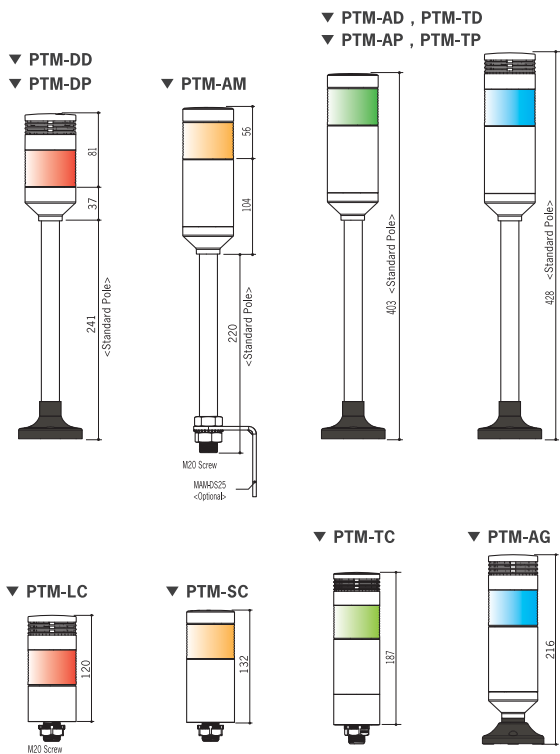


Buzzer Kits

Type	Standard Buzzer Sound - pi pi pi pi		
Model	MPZ-56F	MPZ-56G	MPZ-56H
Level Style	Fixed Sound	Adjustable Sound Level	Adjustable Sound Level
Sound Level	80±5dB at 1m	10~80±5dB at 1m	10~100±5dB/1m
Current / Power	30mA / 0.72W	30mA / 0.72W	150mA / 3.6W

Dimensions <Unit: mm>

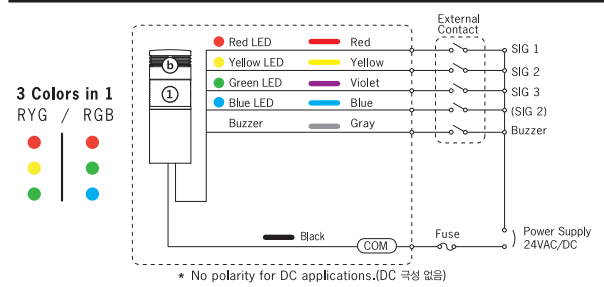
▶ Standard Pole Length : 225mm



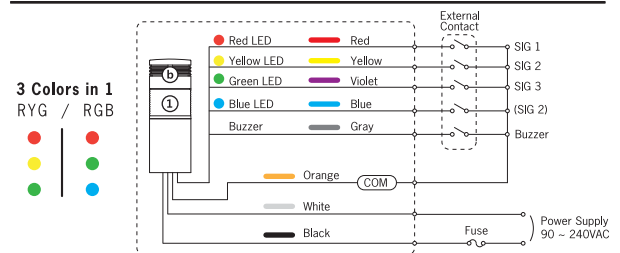
* The above specifications are changeable at anytime without notice.

Wiring Diagram

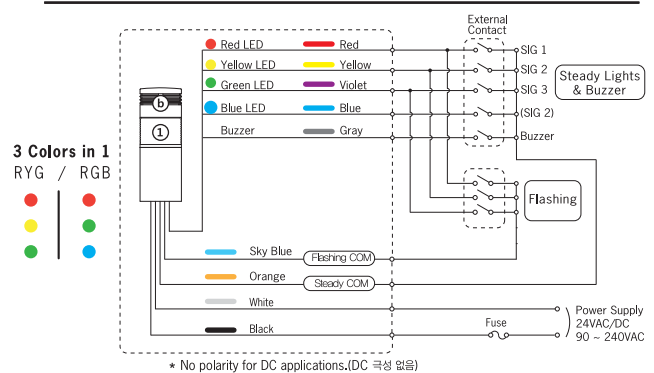
24VAC/DC Steady Lights (with Buzzer)



90 ~ 240VAC Steady Lights (with Buzzer)

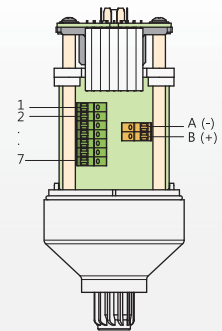


24VAC/DC, 90 ~ 240VAC Steady or Flashing Lights (with Buzzer)



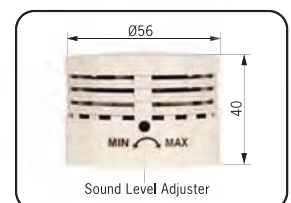
Terminal Type Connections

Pin #	Description
1	Red LED
2	Yellow LED
3	Green LED
4	Blue LED
5	Buzzer
6	Steady COM
7	Flashing COM
A	Power Supply (-)
B	Power Supply (+)



Recommended Wire Size
 UL 1007 AWG 22~16
 UL 1430 AWG 22~16
 * Use 75°C CU Wire only.

Buzzer Kits Dimensions



PTD Series D56mm LED Dome Head Tower Light



Dome shape LED Signal Light featuring enhanced visibility and maintenance free operation.



Feature

- LED modular components
- Bright & even light distribution through prism-cut lenses
- Fast & easy assembly with inter-locking construction
- 6 mounting options
- IP65 rated
- RoHS compliant

Ordering Information

PTD - A P F - 1 02 - R - B (V)

① ② ③ ④ ⑤ ⑥ ⑦ ⑧

※ Options

1. Body Unit

S	Flat Based Body	Code7
A	Pole Mount Standard Body	Code7 + Code10
D	Short Body	Code6
L	Small Surface Body	Code17

Apply to Mounting style	
C	
G/P/R/M/W/D	
P/R/M/W/D	
C	

Note: "D", "L" Type - Power Supply 24VAC/DC Only

2. Mounting Style

C	Surface Mount	Code 18
G	Plastic mount base (MAM-B070F)	Code 8 + Code 16
P	Pole + Plastic mount base (MAM-B070D)	Code 8 + Code 11
M	Pole + Plastic M20 screw mount base (MAM-I025)	Code 8 + Code 9
W	Pole + Wall Mount Bracket (MAP-DS40)	Code 8 + Code 12
D	Pole + Aluminum Pole mount base (MAM-DS32)	Code 8 + Code 22

3. Light Style

	Steady Light
F	Steady + Flashing Light

4. Number of Stacks

1	1 Stack
----------	---------

5. Power Supply

02	24VAC/DC
FF	90 ~ 240VAC

6. LED Colors

R	Red	
Y	Yellow	
G	Green	1 Color
B	Blue	
C	Clear	
RYG	Red, Yellow, Green	3 Colors in 1
RGB	Red, Green, Blue	

Note: '3 Colors in 1' type Lens color --> Clear

Options

7. Body Color

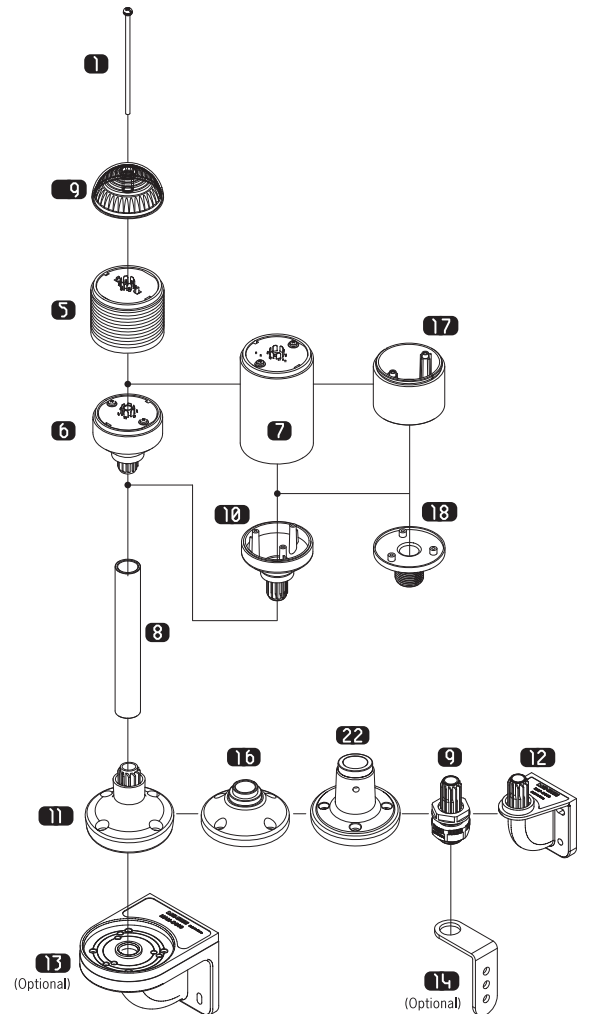
B	Black
----------	-------

Note: Standard Body Color - White Ivory

8. Light Style

(V)	Continuous Flashing Flashing Cycle: (240times/minute)
------------	---

Exploded View / Part Code



See Page 45 ~ 47 for Mounting Options and Accessories.

Specifications

Body Units

Operation/Function	Steady, Flashing
Power Supply	24VAC/DC, 90 ~ 240VAC (50/60Hz)
Lens Colors	Red, Yellow, Green, Blue & Clear
Lens Diameter	56 mm (2.2 inch)
Maximum Tier	1
Flash Rate (±10%)	80times/minute, 240times/minute (option 'V' type)
Vibration	0.75mm at 10~55Hz
Ambient Temperature	-15 to 40°C
Storage Temperature	-20 to 70°C
Ambient Humidity	45~85% RH
Degree of Protection	IP65
Approvals	UL, CE, RoHS
Recommended Wire Size	1007UL / 22AWG

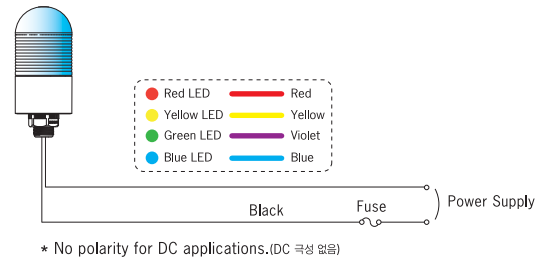
Current consumption

LED Color	24VAC	90 ~ 240VAC
1 Color (R/Y/G/B/C)	65mA	32mA (Maximum)
3 Colors in 1	R/Y/G R/G/B	60mA (Maximum)
Weight	Standard Module: App. 53g	

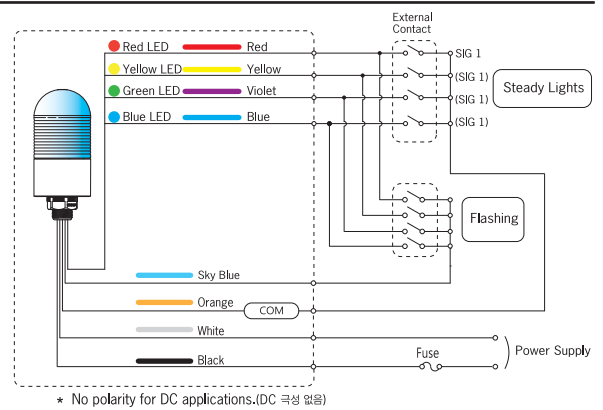


Wiring Diagram

24VAC/DC, 90 ~ 240VAC Steady Lights

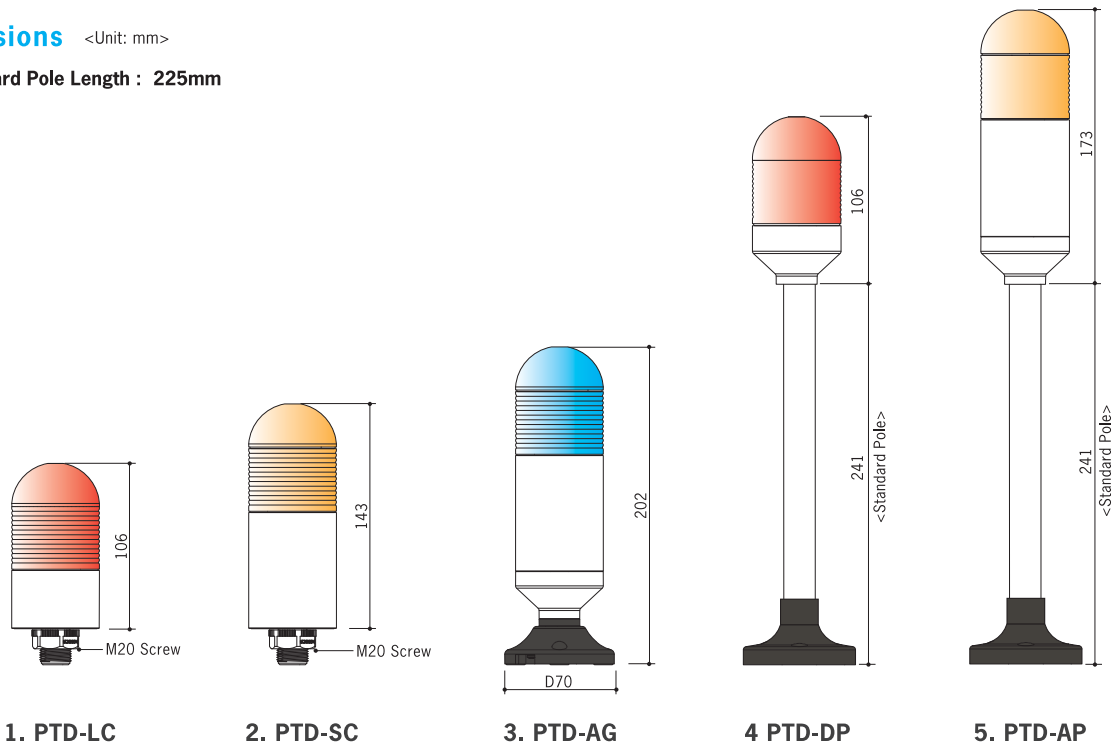


24VAC/DC, 90 ~ 240VAC Steady or Flashing Lights



Dimensions <Unit: mm>

▶ Standard Pole Length : 225mm



※ The above specifications are changeable at anytime without notice.

PL4 Series D45mm Steady / Flashing / Buzzer LED Tower Light



PL4 Series is multifunctional 45mm LED Tower Light. It features low maintenance and high energy efficiency.

- 1~5 Stacks
- Built-in Buzzer: 75±5dB
- Various operating voltages
- High visibility from every angle through prism-cut lens
- Various mounting options and accessories

Specifications

Operation/Function	Steady, Flashing, Buzzer
Power Supply	12VAC/DC, 24VAC/DC, 12~24VAC/DC, 110~220VAC (AC 50/60Hz)
LED colors	Red, Yellow, Green, Blue, White
Dimensions / Tiers	D45mm / Up to 5 tiers
Flash Rate (Free voltage type)	12VDC - 75±5times/minute 12VAC, 24VAC/DC <input type="checkbox"/> 80±5times/minute 90~240VAC <input type="checkbox"/>
Sound Level (Maximum)	Alternating buzzer: 75±5dB (pi-pi-pi- <input type="checkbox"/> (at 1m) Continuous sound buzzer: 75±5dB (pi- <input type="checkbox"/>
Lens color	Red, Yellow, Green, Blue, Clear
Mounting	Upward only
Wiring method	Lead wire connection
Ambient temperature	-20 ~ 40°C
Storage temperature	-20 ~ 70°C
Ambient humidity	45~85% RH
Vibration	0.75mm at 10~55Hz
Recommended wire size	UL1007 / 22AWG
Approvals	CE, RoHS
Degree of protection	IP63 (Buzzer type: IP52)

Note: Life of LED varies according to operating conditions and environment.

Power Consumption (RMS value ±10%)

Tiers	LED Colors	Single power			
		12VAC		24VAC	
		General	Buzzer	General	Buzzer
1t	R/Y/G/B/C	0.05A	0.07A	0.03A	0.08A
2t	R+G / R+Y	0.10A	0.12A	0.06A	0.10A
3t	R+Y+G / R+B+G	0.15A	0.15A	0.09A	0.13A
4t	R+Y+G+B	0.20A	0.20A	0.12A	0.16A
5t	R+Y+G+B+C	0.25A	0.25A	0.15A	0.20A

Tiers	LED Colors	Free voltage power			
		12-24VAC		110-220VAC	
		General	Buzzer	General	Buzzer
1t	R/Y/G/B/C	0.22A	0.25A	0.03A	0.03A
2t	R+G / R+Y	0.30A	0.32A	0.05A	0.06A
3t	R+Y+G / R+B+G	0.38A	0.38A	0.07A	0.07A
4t	R+Y+G+B	0.46A	0.46A	0.09A	0.09A
5t	R+Y+G+B+C	0.52A	0.52A	0.11A	0.11A

Ordering Information

PL4 - G Z - 3 FF - RYG - W - (BC) * Options

① ② ③ ④ ⑤ ⑥ ⑦

1. Mounting Style

M	Aluminum pole mounting (Aluminum pole + Plastic M20 screw)
P	Aluminum pole + Fixed plastic mount base
G	Fixed plastic mount base

2. Functions

	Steady
B	Steady + Buzzer
F	Steady + Flashing
Z	Steady + Flashing + Buzzer

5. LED color

R	Red	B	Blue
Y	Yellow	C	Clear
G	Green		

3. Number of Tiers

1	1 Tier	4	4 Tiers
2	2 Tiers	5	5 Tiers
3	3 Tiers		

6. Lens Color

	Color Lens
W	White-Clear Lens

4. Power Supply

Single power	01	12VAC/DC
	02	24VAC/DC
Free Voltage power	00	12 ~ 24VAC/DC
	FF	110 ~ 220VAC

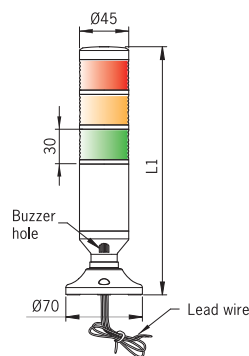
7. Options

(B)	Black Body
(C)	Buzzer continuous sound (pi- <input type="checkbox"/>

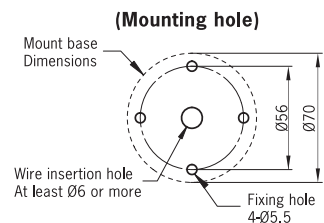
*Single power type: Steady & Steady + Buzzer (B) functions are only available

Dimensions (Unit: mm)

▼ PL4G type



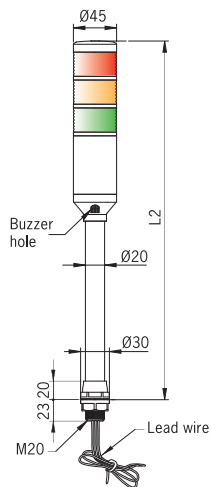
Product length L1±2	Weight (g)	Exposed wiring ±20
1s	162	158
2s	192	172
3s	222	187
4s	252	201
5s	282	216



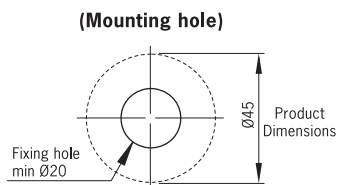
D45mm Steady / Flashing / Buzzer LED Tower Light

Dimensions (Unit: mm)

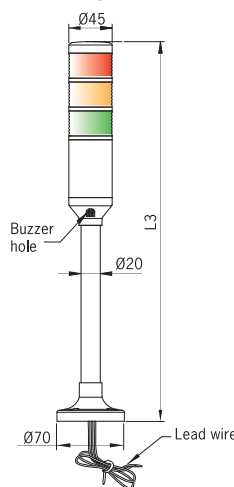
▼ PL4M type



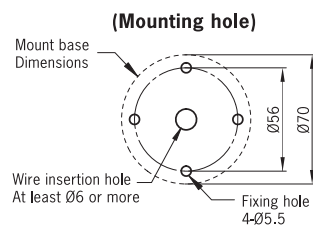
Product length L2±2	Weight (g)	Exposed wiring ±20
1s	320	213
2s	350	227
3s	380	242
4s	410	256
5s	440	271



▼ PL4P type



Product length L3±2	Weight (g)	Exposed wiring ±20
1s	334	229
2s	364	244
3s	394	258
4s	424	273
5s	454	287



Optional Parts

1. Wall mount L-Bracket



PL4M only apply
MAM-DS25
Steel

2. Aluminum Mount base



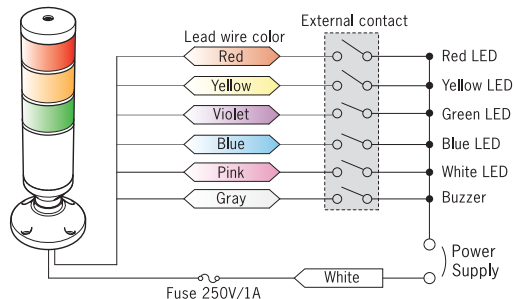
PL4P only apply
MAM-DS32
Aluminum

See Page 45 - 47
for Mounting Options and Accessories.

Wiring Diagram

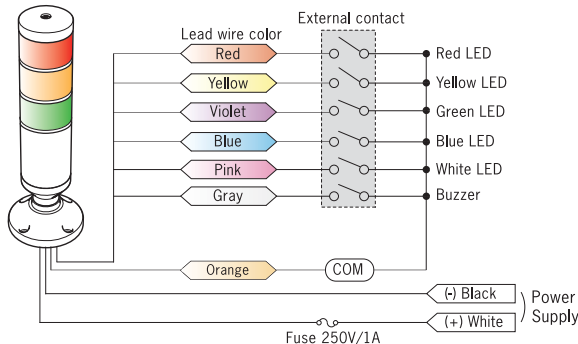
► Steady, Steady + Buzzer

12VAC/DC, 24VAC/DC



* No polarity for DC applications. (DC 극성 없음)

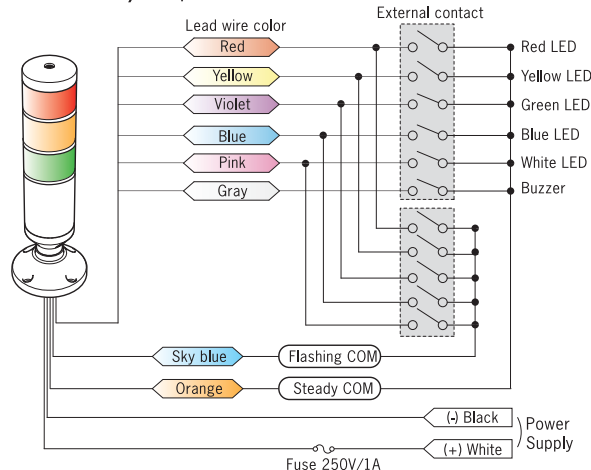
12-24VAC/DC, 110-220VAC



▲ Pay attention to the polarity if it is DC-type

► Steady + Flashing + Buzzer

12-24VAC/DC, 110-220VAC



▲ Pay attention to the polarity if it is DC-type

PME Series D45mm LED Tower Light



Only
12V, 24V

PME Series features low maintenance and energy efficiency using the latest in LED technology

Product Features

- Menics Exclusive Hybrid Prism Cut Lens.
- Original Dual Reflection System
- Installation: Direct or pole mount.
- Color-coordinated Wiring : Corresponds to the lens colors for quick wiring verification.
- Interchangeable LED Modules : No re-wiring even after installation.
- Main Body: ABS resin with superior resistance to impact and heat
- Lens: Superior impact resistant and light translucent PC resin.
- Available Colors: Red, Yellow, Green, Blue, Clear
- High visibility from any angle.
- This product conforms to the CE requirements and shows the CE Marking.
- This product complies with the RoHS Directive.



General Specifications

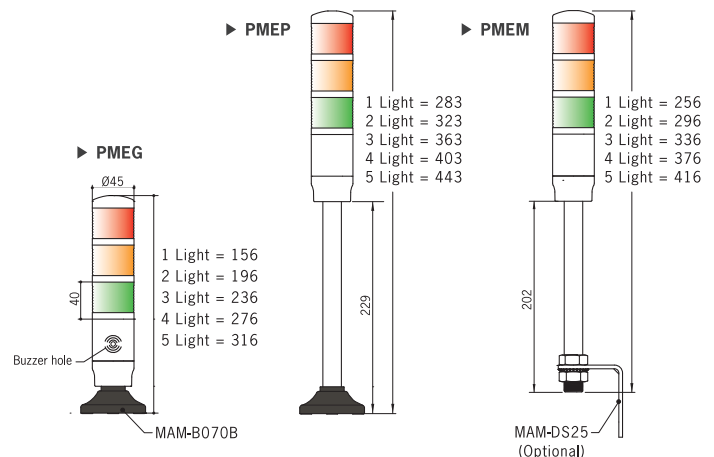
Size	45mm diameter	
Input Voltage Options	12VAC/DC 24VAC/DC 90 ~ 240VAC, 50/60Hz	
Maximum Tier	5 Tiers (Buzzer type : 4 Tiers)	
Functions Available	Steady , Flashing , Buzzer	
Flash Rate	80times/minute (±10%)	
Buzzel Sound Level	80±5dB at 1m - (12V, 24V only available)	
LED Module Colors	Red / Yellow / Green / Blue / Clear	
Ambient Temperature	-15 to 40°C (no freezing)	
Storage Temperature	-20 to 70°C (no freezing)	
Operating Humidity	45 to 85% RH (no condensation)	
Insulation Resistance	100MΩ minimum (500V DC megger)	
Vibration Resistance	0.75mm at 10~55Hz	
Material	Body: ABS resin Pole: Aluminum	Lens: PC resin Pole Mount base: ABS resin
Mounting Options	- Pole mount: with 205mm Aluminum pole, Mount base - Direct mount	
Approvals	CE , RoHS	
Degree of Protection	IP52	
Wire	UL1007 / 22AWG	

Functional Specifications

LED Color Code	R (Red), Y (Yellow), G (Green), B (Blue), C (Clear)						
12V	Illumination Color	Red	Yellow	Green	Blue	Clear	Buzzer
	Rated Current (per tier)	55mA	70mA	40mA	36mA	40mA	13mA
24V	Illumination Color	Red	Yellow	Green	Blue	Clear	Buzzer
	Rated Current (per tier)	30mA	45mA	35mA	35mA	35mA	25mA
90~240V	Illumination Color	Red	Yellow	Green	Blue	Clear	
	Rated Current (per tier)	22mA	25mA	25mA	25mA	25mA	
Flashing Cycle		Approx. 80 flashes per minute					

Note: Life of the LED varies according to operating conditions and environment.

Dimensions (Unit:mm)



Ordering Information

PME G F - 3 0 2 - R Y G

① ② ③ ④ ⑤

1. Mounting Style

G	Plastic mount base
P	Pole + Plastic mount base
M	Pole + Plastic M20 screw (MAM-025)

2. Light Style

	Steady Light
F	Steady + Flashing Light
B	Steady + Buzzer
Z	Steady + Flashing + Buzzer

Note: Buzzer type - 12, 24V are only available

3. Number of Stacks

1	1 Light	4	4 Lights
2	2 Lights	5	5 Lights
3	3 Lights		

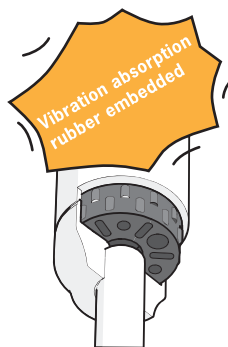
Note: Buzzer type - Up to 4 tiers

4. Power Supply

O1	12VAC/DC	FF	90~240VAC
O2	24VAC/DC		

5. LED Colors (Top to bottom)

R	Red	B	Blue
Y	Yellow	C	Clear
G	Green		



Wiring diagram

Note: See page 15 for wiring diagram

Optional Parts

Wall Mounting Bracket



MAM-DS28
Steel



MAM-DS25
Steel



MAP-DS30
Plastic

See Page 45 ~ 47
for Mounting Options and Accessories.

MP8 Series

D86mm Large Plastic Body Type LED Steady / Flashing Tower Light

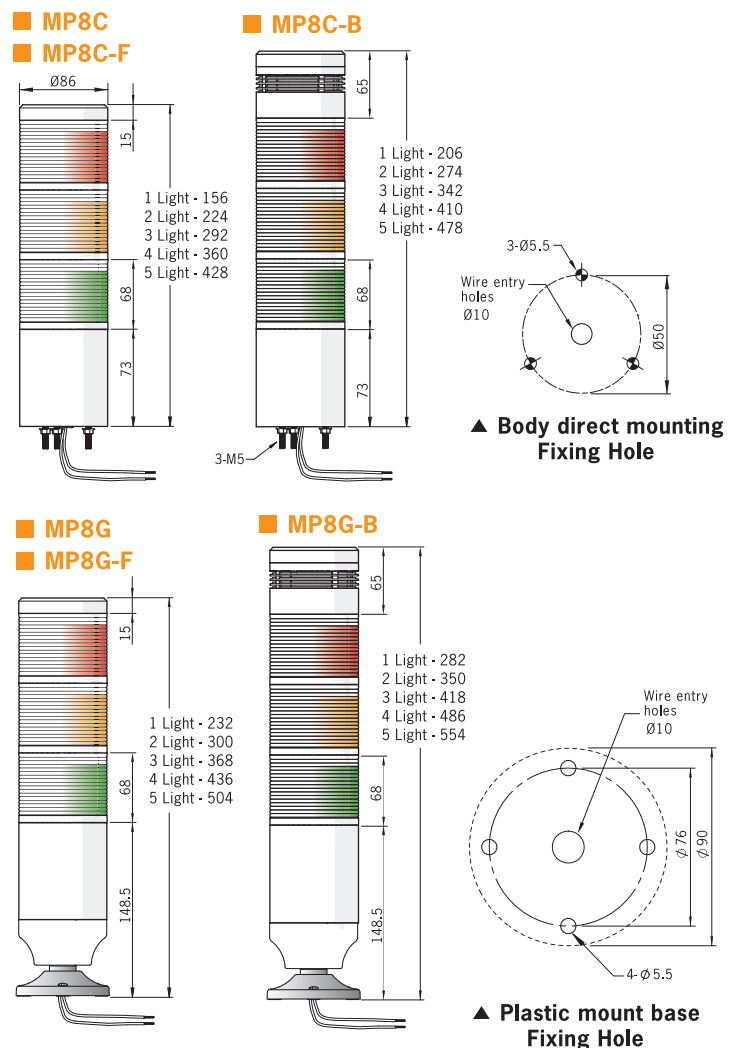


The unique prism-cut globe provides wide radiance, high intensity, bright color and higher quality than other equal type products.



- Menics Exclusive Hybrid Prism Cut Lens.
- Enhanced Illumination: Special high intensity illumination design.
- Installation: Base direct mount, Plastic Mount base
- Lens: Superior impact and heat resistant polycarbonate resin for superior durability and light transmission.
- Available Colors: Red, Yellow, Green, Blue, Clear
- Mounting: Indoor Only
- This product complies with the RoHS Directive.

Dimensions (unit: mm)



Ordering Information

MP8 C - F 300 - RYG - B



1. Mounting Style

C	Body direct mounting
G	Plastic mount base

2. Light style

F	Steady light (12V, 24VDC only)
F	Steady + Flashing light
B	Steady + Flashing + Buzzer

3. Number of stacks

1	1 Light
2	2 Lights
3	3 Lights
4	4 Lights
5	5 Lights

4. Power Supply

01	12VDC (Only Steady light)
02	24VDC (Only Steady light)
00	12~24VAC/DC
FF	90~240VAC

6. Body Color

B	Black
----------	-------

*The main body color: Basic colors

5. Lens Colors (Top to bottom)

R	Red
Y	Yellow
G	Green
B	Blue
C	Clear

Specifications

Size	86mm diameter				
Input Voltage Options	12VDC, 24VDC 12~24VAC/DC, 90~240VAC	DC : Not applicable AC : 50/60Hz			
Functions Available	Steady, Flashing, Buzzer				
LED module Colors	Red / Yellow / Green / Blue / Clear				
Tiers	1 ~ 5 can be stacked				
Mounting Options	Body direct mounting, Plastic mount base				
Flash Rate	80times/minute (±10%)				
Buzzer Sound Level	min10 ~ max100±5dB (at 1m), Volume adjustable				
Rated Current (per tier)	12VDC	24VDC	12~24VAC	90~240VAC	Buzzer
	Red, Yellow	90mA 50mA	115~170mA	20~30mA	150mA
	Green	110mA 60mA	130~215mA		
Blue, White	100mA 60mA	125~190mA			
Body Color	White / Black				
Ambient Temperature	-15 to 40°C				
Storage Temperature	-20 to 70°C				
Ambient Humidity	45~85% RH				
Insulation Resistance	100MΩ minimum (500VDC megger)				
Vibration Resistance	Operating extremes: 10 to 55Hz, amplitude 0.75mm				
Degree of Protection	IP65 / IP40 (with Buzzer)				
Wire	UL1007 / 22AWG				

Note: Life of the LED varies according to operating conditions and environment.

Wiring diagram

Note: See page 15 for wiring diagram

Optional parts

Wall Mount Brackets



MP8C only apply
MAP-DS30
ABS resin



MP8C only apply
MAM-DS26
Steel



MP8G only apply
MAM-DS28
Steel

See Page 45 ~ 47
for Mounting Options and Accessories.

ML8 Series LED Steady / Flashing Tower Light



The ML8 Series are direct mounted LED Tower light with rust free aluminum bodys.

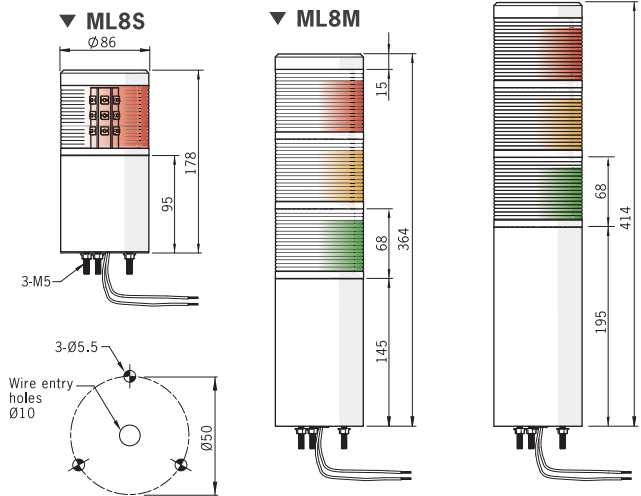


Product Features

- Menics Exclusive Hybrid Prism Cut Lens.
- Enhanced Illumination: Special high intensity illumination design.
- Installation: Direct mount
- Main Body: Corrosion resistant anodizing aluminum.
- Lens: Superior impact and heat resistant polycarbonate resin for superior durability and light transmission.
- Available Colors: Red, Yellow, Green, Blue, Clear
- Body Length: S type - 100mm, M type - 150mm, L type - 200mm
- Mounting: Indoor Only, Upright Only
- This product complies with the RoHS Directive.

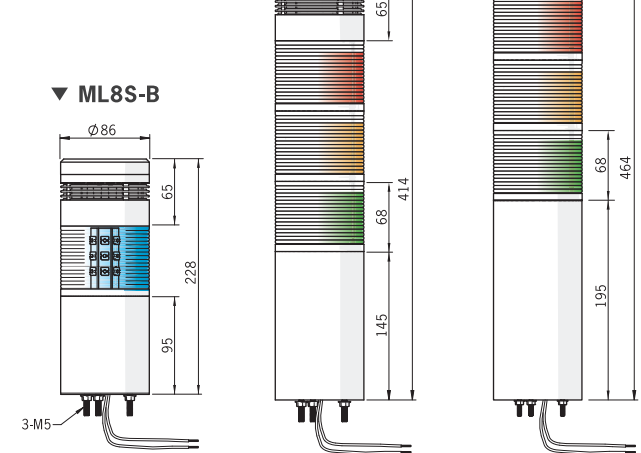
Dimensions (unit: mm)

Standard



Body Hole Mounting

Buzzer Type



Product length

	Model	1 light	2 lights	3 lights	4 lights	5 lights
Standard Type	ML8S	178	246	314	382	450
	ML8M	228	296	364	432	500
	ML8L	278	346	414	482	550
Buzzer Type	ML8S-B	228	296	364	432	500
	ML8M-B	278	346	414	482	550
	ML8L-B	328	396	464	532	600

* For more information, contact the company

(unit: mm)

Wiring diagram See page 15 for wiring diagram

Ordering Information

ML8 M-F300-RYG-B

① ②③ ④ ⑤ ⑥

1. Body length

S	100mm Small body
M	150mm Middle body
L	200mm Long body

2. Light style

	Steady light (12V, 24VDC Only)
F	Steady + Flashing light
B	Steady + Flashing + Buzzer

3. Number of stacks

1	1 Light
2	2 Lights
3	3 Lights
4	4 Lights
5	5 Lights

4. Power Supply

O1	12VDC (Only Steady light)
O2	24VDC (Only Steady light)
OO	12~24VAC/DC
FF	90~240VAC

5. Lens Color (Top to bottom)

R	Red
Y	Yellow
G	Green
B	Blue
C	Clear

6. Body Color

B	Aluminum Black Anodized
---	-------------------------

*The main body color: White Anodized

Specifications

Size	86mm diameter					
Input Voltage Options	12VDC, 24VDC			DC : Not applicable		
	12~24VAC/DC, 90~240VAC			AC : 50/60Hz		
Functions Available	Steady, Flashing, Buzzer					
LED module Colors	Red / Yellow / Green / Blue / Clear					
Tiers	1 ~ 5 can be stacked					
Mounting Options	Body direct mount					
Flash Rate	80times/minute (±10%)					
Buzzer Sound Level	min10 ~ max100 ±5dB (at 1m), Volume adjustable					
Rated Current (per tier)		12VDC	24VDC	12~24VAC	90~240VAC	Buzzer
	Red, Yellow	90mA	50mA	115~170mA		
	Green	110mA	60mA	130~215mA	20~30mA	150mA
	Blue, White	100mA	60mA	125~190mA		
Body Color	White / Black					
Ambient Temperature	-15 to 40°C					
Storage Temperature	-20 to 70°C					
Ambient Humidity	45~85% RH					
Insulation Resistance	100MΩ minimum (500VDC megger)					
Vibration Resistance	Operating extremes: 10 to 55Hz, amplitude 0.75mm					
Degree of Protection	IP65 / IP40 (with Buzzer)					
Wire	22AWG (UL1007)					

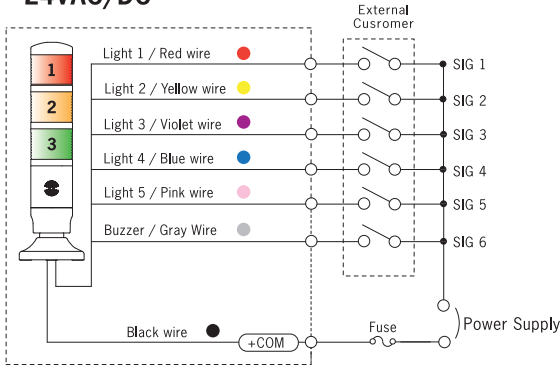
Note: Life of the LED varies according to operating conditions and environment.

PME, MP8, ML8 Series Wiring Diagram

PME Series Wiring Diagram

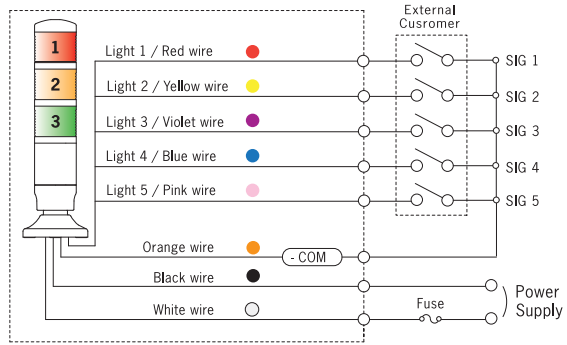
▶ Steady Lights / Buzzer

12VAC/DC
24VAC/DC



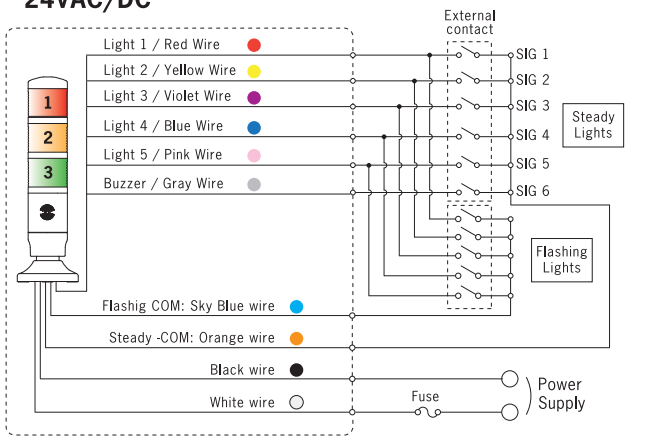
▶ Steady Lights

90 ~ 240VAC



▶ Steady & Flashing & Buzzer

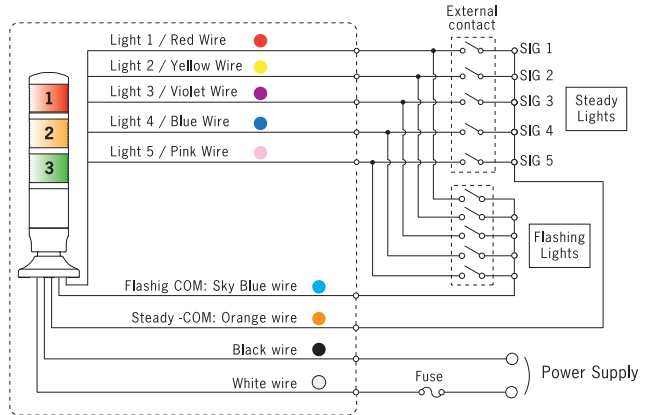
12VAC/DC
24VAC/DC



* No polarity for DC applications. (DC 극성 없음)

▶ Steady & Flashing

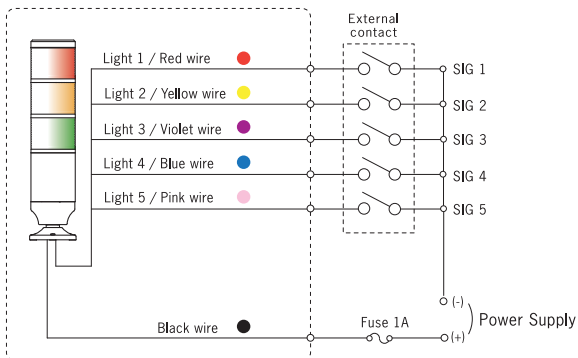
90 ~ 240VAC



MP8, ML8 Series Wiring Diagram

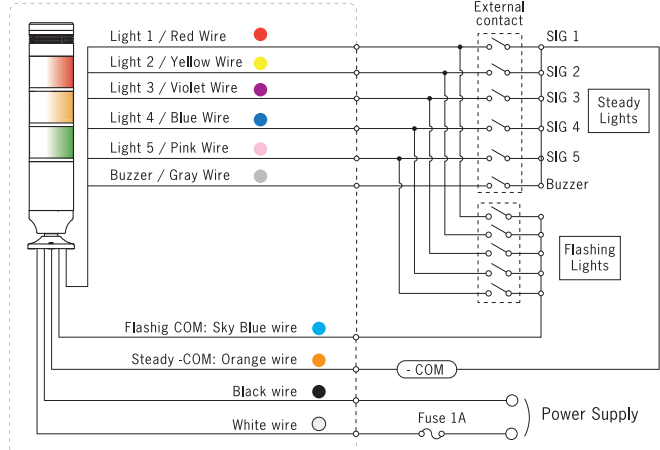
▶ Steady Lights

12VDC
24VDC



▶ Steady + Flashing + Buzzer

12 ~ 24VAC/DC
90 ~ 240VAC



* No polarity for DC applications. (DC 극성 없음)



PLD Series D25mm Slim LED Tower Light



Super slim 25mm Tower Light with aluminum body, ideal for small devices.



Product Features

- Menics Exclusive Hybrid Prism Cut Lens.
- Enhanced Illumination: Special high intensity illumination design.
- Installation: Direct mount with a single hole.
- Main Body: Corrosion resistant anodizing aluminum.
- Lens: Superior impact and heat resistant polycarbonate resin for superior durability and light transmission.
- Available Colors: Red, Yellow, Green, Blue, Clear
- Body Length: PLDS 60mm, PLDM 100mm, PLDL 200mm
- Mounting: Indoor Only, Upright Only
- This product conforms to the CE requirements and shows the CE Marking.
- This product complies with the RoHS Directive.

General Specifications

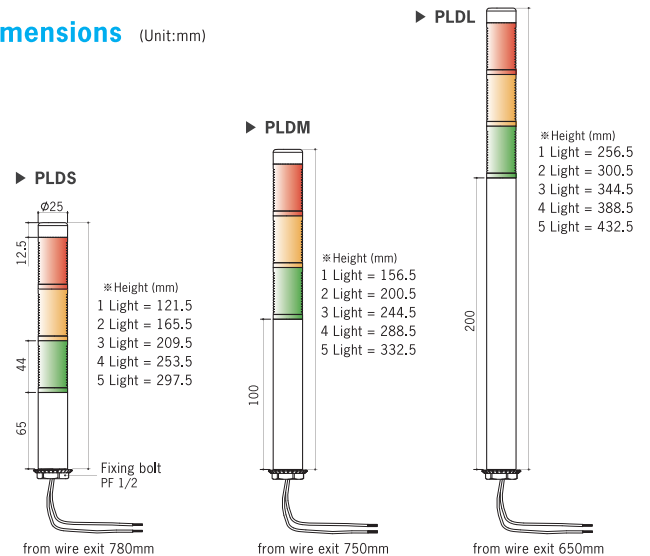
Size	25mm diameter
Input Voltage Options	12VAC/DC 24VAC/DC
Functions Available	Steady, Flashing
Ambient Humidity	45 to 85% RH (no condensation)
Ambient Temperature	-15 to 40°C (no freezing)
Storage Temperature	-20 to 70°C (no freezing)
Insulation Resistance	100MΩ minimum (500VDC megger)
Vibration Resistance	10 to 55Hz, amplitude 0.75mm
Body Color	Corrosion resistant white anodizing aluminum
Material	Body: Aluminum, Head Cap: ABS Resin Lens: PC resin Fixing bolt: Aluminum Lock nut: Steel
Mounting Options	- Body direct mount - L-shaped bracket
Tiers	1 ~ 5 modules can be stacked
LED Module Colors	Red / Yellow / Green / Blue / Clear
Approvals	CE, RoHS
Degree of Protection	IP52
Wire	22AWG (UL1007)

Functional Specifications

LED Color Code	R (Red), Y (Yellow), G (Green), B (Blue), C (Clear)					
12V LED	Illumination Color	Red	Yellow	Green	Blue	Clear
	Rated Current (per tier)	40mA	50mA	75mA	80mA	40mA
24V LED	Illumination Color	Red	Yellow	Green	Blue	Clear
	Rated Current (per tier)	120mA	120mA	130mA	125mA	125mA
Flashing Cycle	Approx. 80 flashes per minute (±10%)					

Note: Life of the LED varies according to operating conditions and environment.

Dimensions (Unit:mm)



Ordering Information

PLD S F - 3 0 2 - R Y G (W)

① ② ③ ④ ⑤ ⑥

1. Body Length of Exposure

S	65mm Aluminum Pole Body
M	100mm Aluminum Pole Body
L	200mm Aluminum Pole Body

2. Light Style

	Steady
F	Steady + Flashing Light

3. Number of Stacks

1	1 Light	4	4 Light
2	2 Lights	5	5 Lights
3	3 Lights		

4. Power Supply

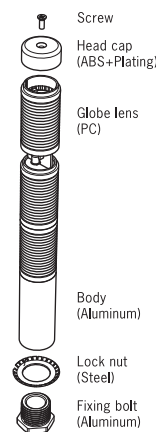
O1	12VAC/DC
O2	24VAC/DC

5. Lens Colors (top to bottom)

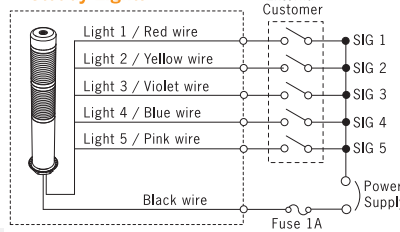
R	Red	B	Blue
Y	Yellow	C	Clear
G	Green		

6. Option-Lens Colors

(W)	All transparent (clear lens type)
------------	-----------------------------------



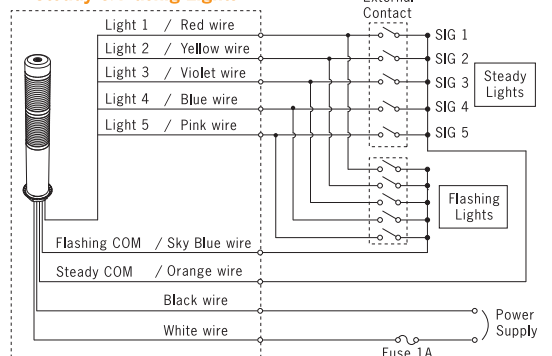
▶ Steady Lights



* No polarity for DC applications. (DC 극성 없음)

Wiring Diagram

▶ Steady & Flashing Lights



* No polarity for DC applications. (DC 극성 없음)

MT5C/8C Series D56/D86mm Bulb Type Tower Light



Multi-layer tower light that features an outstanding vibration resistance and a long service life.



- Selectable Steady or Flashing Modes
- Prism-cut lenses for even light distribution
- Surface, Pole or Wall Mounted (Order poles & bases separately)
- Wire leads or Terminal connection
- Add-on Buzzer (80dB) kit available
- IP54 rated

Optional Orders

► Buzzer kit

M P Z 5 6 A
① ②

1. Buzzer Diameter

56	56mm (for MT5C Series)
85	86mm (for MT8C Series)

2. Power Supply

A	24VAC/DC
B	110~120VAC
C	220~240VAC

Ordering Information

MT5C 3 A L G B - RYG
① ② ③ ④ ⑤ ⑥ ⑦

1. Lens Diameter & Light Style

5C	56mm diameter - Steady + Flashing + Buzzer
8C	86mm diameter - Steady + Flashing + Buzzer

2. Number of Stacks

1	1 Light
2	2 Lights
3	3 Lights
4	4 Lights
5	5 Lights

3. Power Supply

A	24VAC/DC
B	110~120VAC
C	220~240VAC

4. Connection

L	Lead Wires
----------	------------

5. Mounting

G	No Pole + Mount Base
P	Pole + Mount Base
M	Pole + Screw Type

6. Buzzer Options

	Non Buzzer
B	Buzzer (Maximum number of tier including Buzzer is 5.)

7. Lens Colors (top to bottom)

R	Red	B	Blue
Y	Yellow	C	Clear
G	Green		

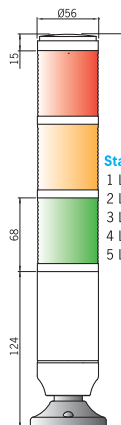


The unique vibration absorbing structure using new material reduces vibration and impact from all machines and devices, greatly extending bulb life

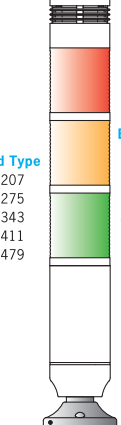
Dimensions < unit: mm >

► MT5C Series

Mount G type

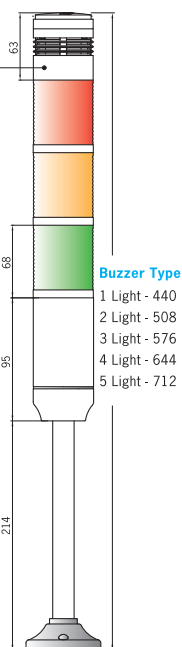
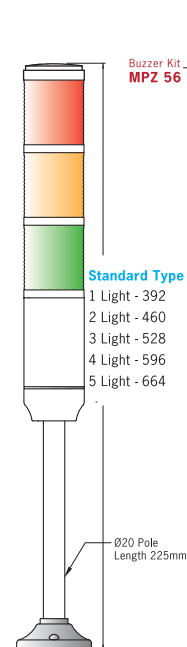


Buzzer Type



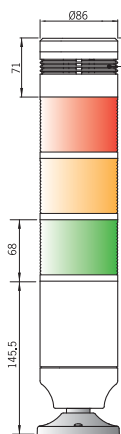
MAM-B070B

Mount P type

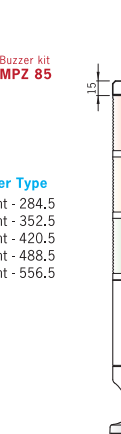


► MT8C Series

Mount G type

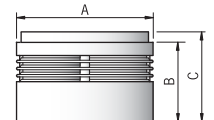


Buzzer Type



MAM-B090B

► Buzzer Kit



	MPZ 56	MPZ 85
A	56	86
B	48	50
C	54	56

Specifications

Power Supply	24V	110VAC	220VAC
Current Draw			
1 Light	0.4A	0.09A	0.04A
2 Lights	0.8A	0.18A	0.08A
3 Lights	1.3A	0.27A	0.12A
4 Lights	1.7A	0.36A	0.16A
5 Lights	2.0A	0.45A	0.2A
Buzzer		0.03A	

Functions	Steady + Flashing + Buzzer
Tiers	May be ordered as 1, 2, 3, 4 or 5 tiers
Lens Colors	Red / Yellow / Green / Blue / Clear
Protection	IP54 / IP50 (with Buzzer)
Sound Level	80±5dB at 1m
Flashing rate	80 times/minute (±10%)
Approvals	UL, CE, RoHS

Replacement Parts

	Rated Voltage	Bulb
Bulb Type	24VAC/DC	24V 10W
	110~120VAC	120V 10W
	220~240VAC	240V 10W

* See page 44 for Replacement Bulbs product

See Page 45 ~ 47 for Mounting Options and Accessories.

MT4B/5B/8B Series D45/D56/D86mm Bulb Type Tower Light



Low-priced multi-layer tower light that features an outstanding vibration resistance and a long service life.

- Long life and reliability
- Prism-cut lenses for even light distribution
- Surface, Pole or Wall Mounted (Order poles & bases separately)
- Wire leads
- IP54 rated
- MT4B Approvals - CE, UL, RoHS
- MT5B/8B Approvals - UL, RoHS



Replacement Parts * See page 44 for Replacement Bulbs product

Series	Rated Voltage	Bulb	Series	Rated Voltage	Bulb
MT4B	12V AC/DC	12V 5W	MT5B MT8B	12V AC/DC	12V 10W
	24V AC/DC	24V 5W		24V AC/DC	24V 10W
	110~120V AC	130V 5W		110~120V AC	120V 10W
	220~240V AC	240V 5W		220~240V AC	240V 10W

Ordering Information

MT5B 3 A L G - RYG

① ② ③ ④ ⑤ ⑥

1. Lens Diameter & Light Style

4B	45mm diameter - Steady Light
5B	56mm diameter - Steady Light
8B	86mm diameter - Steady Light

2. Number of Stacks

1	1 Light	4	4 Lights
2	2 Lights	5	5 Lights
3	3 Lights		

3. Power Supply

A	24VAC/DC
B	110~120VAC
C	220~240VAC
D	12VAC/DC

4. Connection

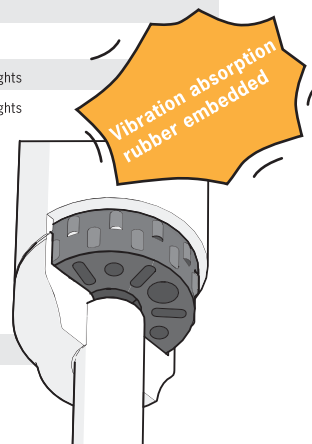
L	Lead Wires
----------	------------

5. Mounting

G	No Pole + Mount Base
P	Pole + Mount Base
M	Pole + Screw Type

6. Lens Colors (top to bottom)

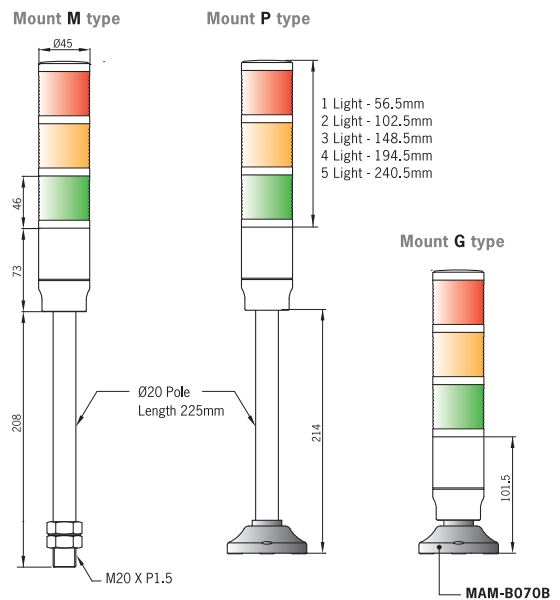
R	Red	B	Blue
Y	Yellow	C	Clear
G	Green		



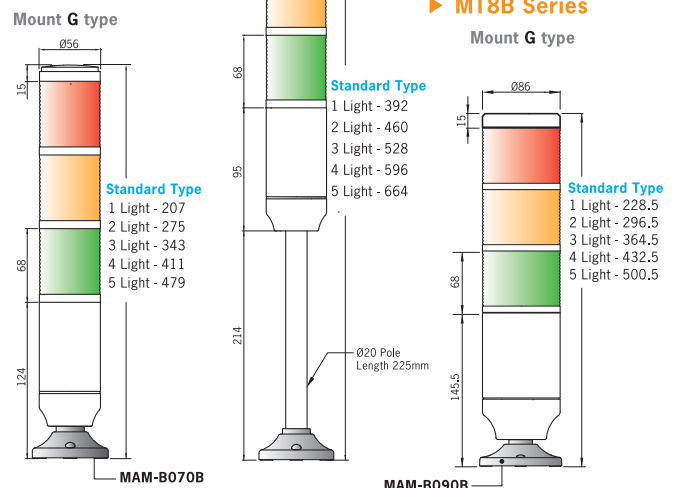
The unique vibration absorbing structure using new material reduces vibration and impact from all machines and devices, greatly extending bulb life

Dimensions < unit: mm >

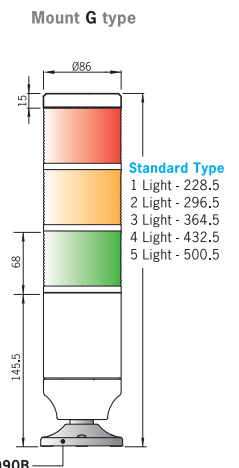
► MT4B Series



► MT5B Series



► MT8B Series



Specifications

Power Supply	12VAC/DC, 24VAC/DC, 110~120VAC, 220~240VAC
Functions	Steady
Tiers	May be ordered as 1, 2, 3, 4 or 5 tiers
Lens Colors	Red / Yellow / Green / Blue / Clear
Degree of Protection	IP 54

► MT4B Current Draw

Power Supply	12V	24V	110VAC	220VAC
1 Light	0.4A	0.2A	0.04A	0.02A
2 Lights	0.8A	0.4A	0.09A	0.04A
3 Lights	1.2A	0.6A	0.13A	0.06A
4 Lights	1.6A	0.8A	0.16A	0.08A
5 Lights	2.0A	1.0A	0.20A	0.1A

► MT5B/8B Current Draw

Power Supply	12V	24V	110VAC	220VAC
1 Light	0.8A	0.4A	0.08A	0.04A
2 Lights	1.7A	0.8A	0.16A	0.08A
3 Lights	2.5A	1.2A	0.24A	0.12A
4 Lights	3.3A	1.6A	0.32A	0.16A
5 Lights	4.2A	2.0A	0.4A	0.2A

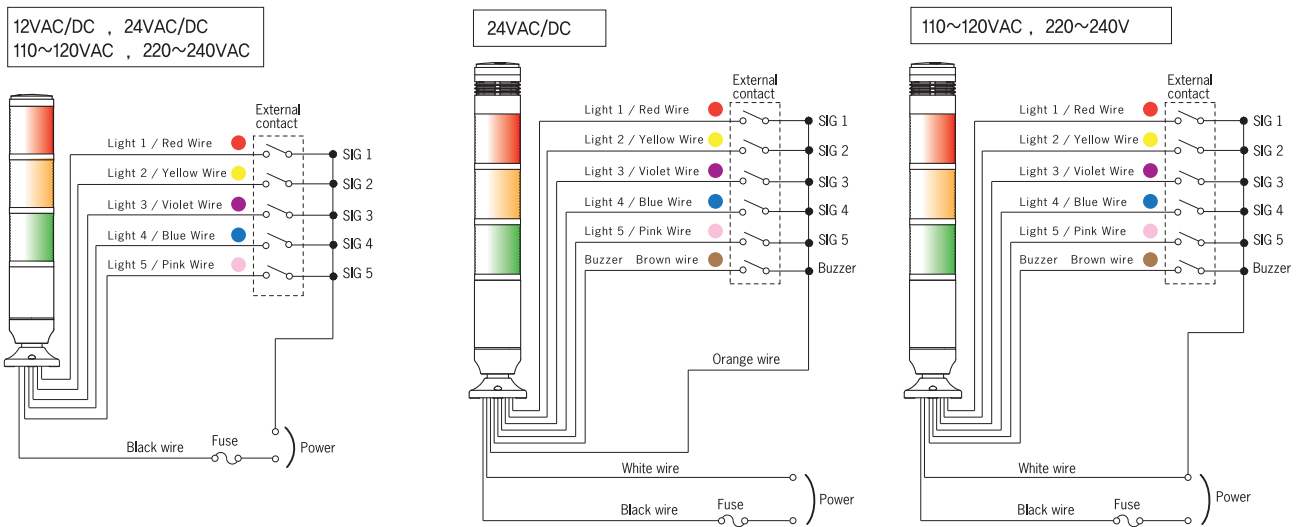
See Page 45 - 47 for Mounting Options and Accessories.



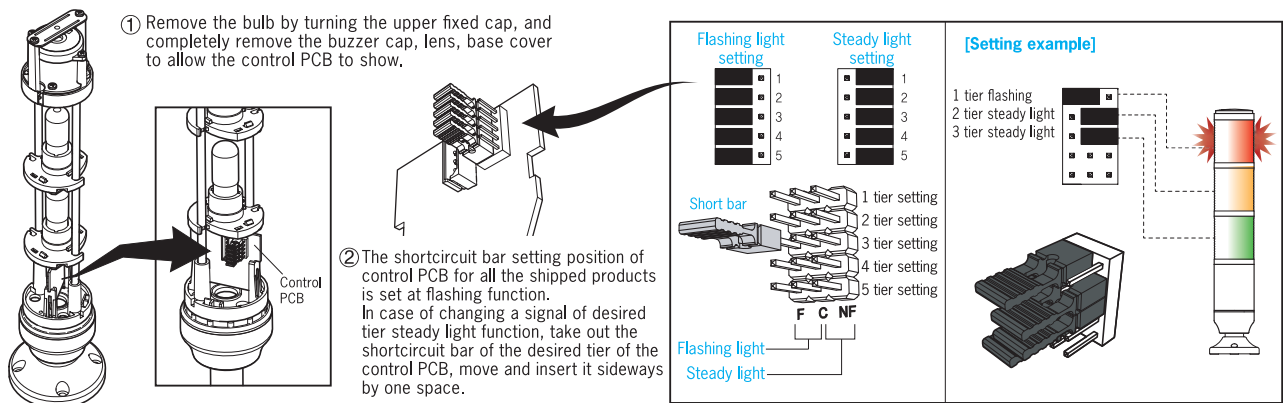
MT5C/8C & 4B/5B/8B Series Wiring Diagram

MT5C/8C Series

► Steady or Flashing Lights (with Buzzer)

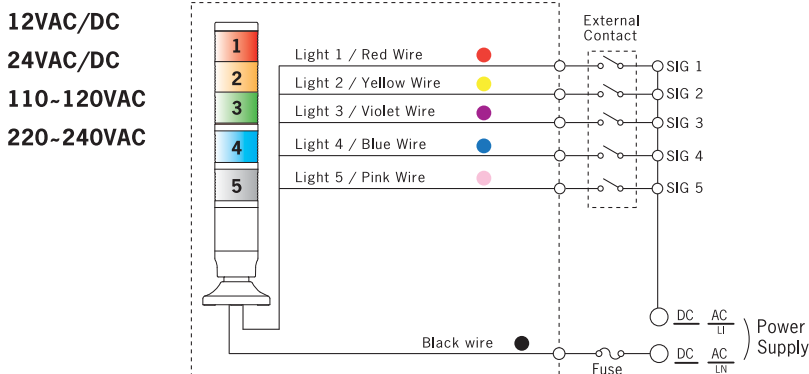


► MT5C/8C Series Steady/Flashing lights Changing Method



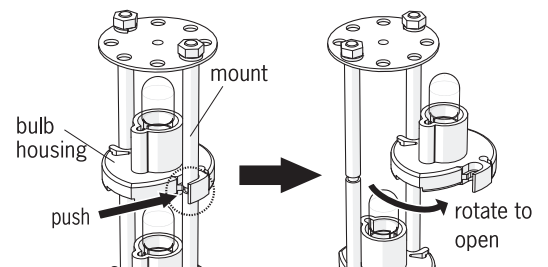
MT4B/5B/8B Series

► Steady Lights



MT4B-Bulb Replacement Method

Push to open the bulb housing fixed inside the mount using hands or tools. This allows easily replacing the bulb.



SL Series D86mm Tower Bulb Revolving Warning Light



Tower Warning Light Which can transmit plural signals by using only one fitting space



- Ø86mm lens diameter
- Rotating, Flickering model
- Protection Class : IP42
- 4 lens colors available
- Various operating voltage
- Possible to catch several signals at a time and make signals separate

Specifications

Operation/Function	Rotating, Flashing
Power Supply	12VAC/DC, 24VAC/DC, 110VAC, 220VAC, 110/220VAC
Tiers	May be ordered as 1, 2, or 3 tiers
Lens Color	Red, Yellow, Green, Blue
Rotation Rate	130 rpm±10
Flash Rate	80 times/minute ±5
Vibration	0.75mm at 10~55Hz
Ambient Temperature	-15 to 40°C
Storage Temperature	-25 to 70°C
Ambient Humidity	45 ~ 85% RH
Degree of Protection	IP42
Approvals	RoHS
Recommended Wire Size	AC 110/220V: VSF / 0.75mm ² (Power supply wire only) AC/DC 12/24V: 1007UL / 22AWG

Ordering Information

SL G F - 3 2 0 - R Y G

① ② ③ ④ ⑤

1. Mounting

G	Stud Mount
P	Pole Mount

2. Light Style

F	Rotating
F	Flashing - (DC power is only)
K	(Rotating mirror - AC220V, AC110V combined products) 1 Light - 110V, 220VAC 2 Light - 110V, 220VAC

3. Number of Stacks

1	1 Light
2	2 Lights
3	3 Lights

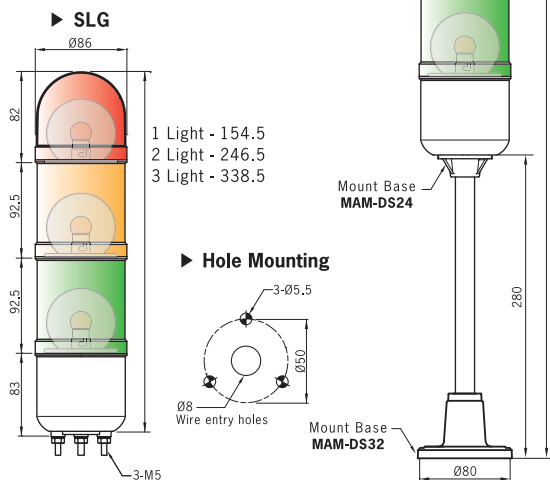
4. Power Supply

01	12VAC/DC	20	220VAC
02	24VAC/DC	FF	110/220VAC *Except for Flashing type - F function
10	110VAC		

5. Lens Colors (Top to bottom)

R	Red
Y	Yellow
G	Green
B	Blue

Dimensions (unit: mm)



Current Draw

Power Supply	12VDC	24VDC	110VAC	220VAC	110/220VAC
1 Light	0.4A	0.3A	0.07A	0.07A	0.07A
2 Lights	0.8A	0.6A	0.14A	0.14A	0.14A
3 Lights	1.2A	0.9A	0.2A	0.2A	

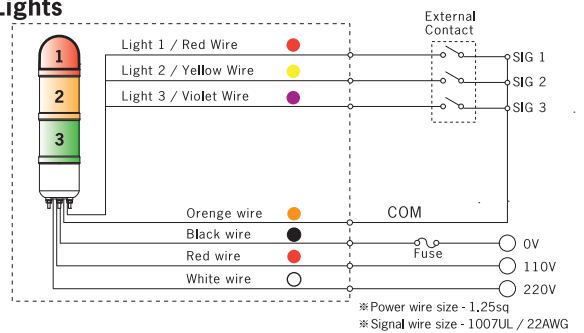
Replacement Parts ▶ See page 44 for Replacement Bulbs product

Rated Voltage	Bulb	Rated Voltage	Bulb (Flashing type)	Bulb (Rotating type)
12V DC	12V 8W	110V AC	130V 8W	12V 5W
24V DC	24V 8W	220V AC	240V 8W	12V 5W
		110/220V AC		12V 5W

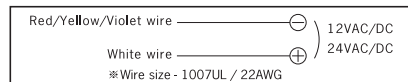
Wiring Diagram

▶ Rotating Lights

AC Type



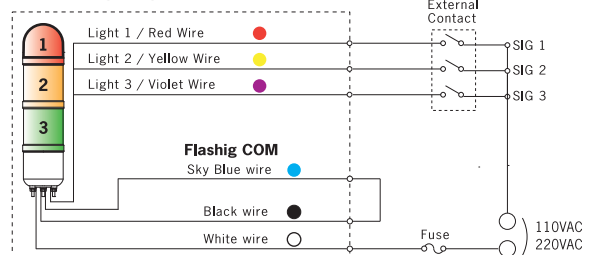
12/24V Type



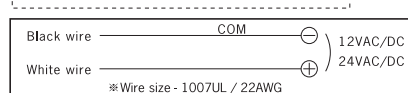
▶ Rotating & Flashing Lights

AC Type

* Wire size 1007UL / 22AWG



12/24V Type



See Page 45 ~ 47 for Mounting Options and Accessories.

MSGS Series Rotating Beacon Tower with 5 Sounds Incandescent



The MSGS Series is a larger beacon that uses a mirrored parabolic reflector for increased visibility.

- Incandescent type
- Outstanding visibility by magnified lens
- Red, Yellow, Green, Blue or Clear lens available
- Large rotating reflector
- Selectable audio sounds: 2 - melody , 3 - siren (100dB)
- Stud mounted



Ordering Information

MSGS - 3 2 0 - R Y G

① ② ③

1. Number of Stacks

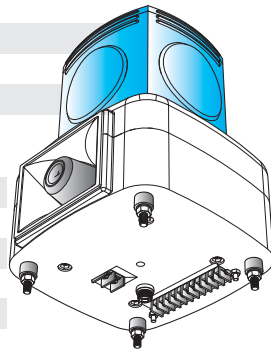
1	1 Light
2	2 Lights
3	3 Lights
4	4 Lights
5	5 Lights

2. Power Supply

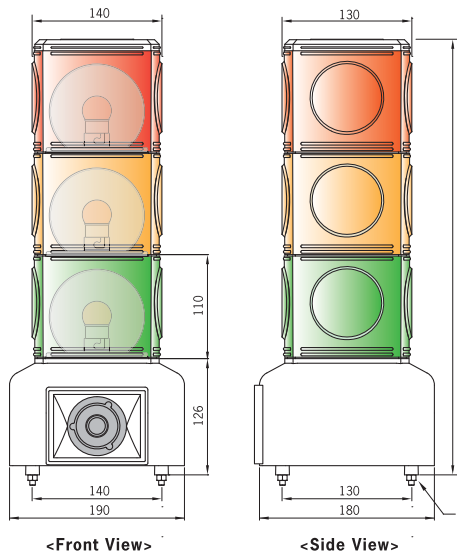
01	12VDC
02	24VDC
10	110VAC
20	220VAC

3. Lens Colors (Top to bottom)

R	Red
Y	Yellow
G	Green
B	Blue
C	Clear

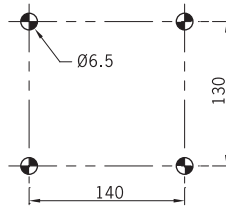


Dimensions (unit: mm)



- 1 Light - 239.5mm
- 2 Lights - 349.5mm
- 3 Lights - 459.5mm
- 4 Lights - 569.5mm
- 5 Lights - 679.5mm

Hole Mounting



Specifications

Size	190 x 180 mm (Body Size)
Operation/Function	Rotating with 5 sounds (2 - melody , 3 - siren)
Power Supply (50/60Hz)	12VDC , 24VDC , 110VAC , 220VAC
Tiers	Fixed frame, 1, 2, 3, 4 or 5-tier versions available
Lens Color	Red, Yellow, Green, Blue, Clear
Rotation Rate	max.150rpm±10%
Sound level	100±5dB at 1m
Vibration	0.75mm at 10~55Hz
Ambient Temperature	-15 to 40°C
Storage Temperature	-25 to 70°C
Ambient Humidity	45 ~ 85% RH
Degree of Protection	indoor , outdoor (upright) IP23
Approvals	RoHS
Recommended Wire Size	VSF / 0.75mm ² (Power supply wire only)

Current Draw

Power Supply	12VDC	24VDC	110VAC	220VAC
Current Draw	2.08A	1.04A	0.33A	0.17A

Caution Two or more simultaneous lighting Prohibition

Replacement Parts

Rated Voltage	Bulb	Rated Voltage	Bulb
12V DC	12V 25W	110V AC	12V 25W
24V DC	24V 25W	220V AC	12V 25W

▶ See page 44 for Replacement Bulbs product

Wiring Diagram

