

# MINI MCR-BL-UI-UI - Signal conditioner



1070346

<https://www.phoenixcontact.com/in/products/1070346>

Please be informed that the data shown in this PDF document is generated from our online catalog. Please find the complete data in the user documentation. Our general terms of use for downloads are valid.



3-way signal conditioner for the electrical isolation of analog signals, I/O can be configured via DIP switches, with screw connection, standard configuration

## Commercial data

Item number	1070346
Packing unit	1 pc
Minimum order quantity	1 pc
Sales key	CK1
Product key	DKA131
GTIN	4055626749815
Weight per piece (including packing)	66.8 g
Weight per piece (excluding packing)	59 g
Customs tariff number	85437090
Country of origin	DE

## Technical data

### Notes

#### Utilization restriction

EMC note	EMC: class A product, see manufacturer's declaration in the download area
----------	---


### Product properties

Product family	ESSENTIAL edition
No. of channels	1

#### Insulation characteristics

Overvoltage category	II
Pollution degree	2

### Electrical properties

Electrical isolation	3-way isolation
Electrical isolation between input and output	yes
Limit frequency (3 dB)	approx. 100 Hz
Step response (10-90%)	≈  ms
Temperature coefficient, typical	< 0.002 %/K
Maximum transmission error	< 0.2 % (of final value) < 0.5 % (Without adjustment)

#### Electrical isolation Input/output/power supply

Rated insulation voltage	50 V AC/DC
Test voltage	1.5 kV AC (50 Hz, 60 s)
Insulation	Basic insulation in accordance with IEC/EN 61010

#### Supply

Nominal supply voltage	24 V DC
Supply voltage range	19.2 V DC ... 30 V DC (The DIN rail connector (ME 6,2 TBUS-2 1,5/5-ST-3,81 GN, item no. 2869728) can be used to bridge the supply voltage. It can be snapped onto a 35 mm DIN rail in accordance with EN 60715)
Max. current consumption	< 19 mA (Current output, at 24 V DC incl. load) < 9 mA (Voltage output, at 24 V DC incl. load)
Power consumption (I output)	< 450 mW (Current output)
Power consumption (U output)	< 200 mW (Voltage output)

### Input data

#### Signal: Voltage/current

Number of inputs	1
Configurable/programmable	Yes, preconfigured
Voltage input signal	0 V ... 10 V

# MINI MCR-BL-UI-UI - Signal conditioner



1070346

<https://www.phoenixcontact.com/in/products/1070346>

	0 V ... 5 V
Max. voltage input signal	30 V
Current input signal	0 mA ... 20 mA
	4 mA ... 20 mA
Max. current input signal	50 mA
Input resistance of voltage input	approx. 100 kΩ
Input resistance current input	approx. 50 Ω

## Output data

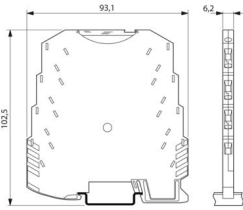
Signal: Voltage/current

Voltage output signal	0 V ... 10 V
	0 V ... 5 V
Max. voltage output signal	approx. 12.5 V
Open-circuit voltage	approx. 12.5 V
Current output signal	0 mA ... 20 mA
	4 mA ... 20 mA
Max. current output signal	28 mA
Short-circuit current	approx. 22 mA
Load/output load voltage output	≥ 10 kΩ
Load/output load current output	< 500 Ω (at 20 mA)
Ripple	< 20 mV <sub>PP</sub> (at 500 Ω)

## Connection data

Connection method	Screw connection
Stripping length	12 mm
Screw thread	M3
Conductor cross-section rigid	0.2 mm <sup>2</sup> ... 2.5 mm <sup>2</sup>
Conductor cross-section flexible	0.2 mm <sup>2</sup> ... 2.5 mm <sup>2</sup>
Conductor cross-section AWG	26 ... 12

## Dimensions

Dimensional drawing	
Width	6.2 mm
Height	109.5 mm
Depth	119.2 mm

## Material specifications

Color	traffic grey B (RAL 7043)
-------	---------------------------

# MINI MCR-BL-UI-UI - Signal conditioner



1070346

<https://www.phoenixcontact.com/in/products/1070346>

Housing material	PBT
------------------	-----

## Environmental and real-life conditions

### Ambient conditions

Degree of protection	IP20
Ambient temperature (operation)	-10 °C ... 60 °C
Ambient temperature (storage/transport)	-20 °C ... 65 °C

## Approvals

### CE

Certificate	CE-compliant
-------------	--------------

### UKCA

Certificate	UKCA-compliant
-------------	----------------

## EMC data

Electromagnetic compatibility	Conformance with EMC directive
Noise immunity	EN 61000-6-2
Note	When being exposed to interference, there may be minimal deviations.

### Noise emission

Standards/regulations	EN 61000-6-4
-----------------------	--------------

## Standards and regulations

Electrical isolation	3-way isolation
----------------------	-----------------

## Mounting

Mounting type	DIN rail mounting
Mounting position	any

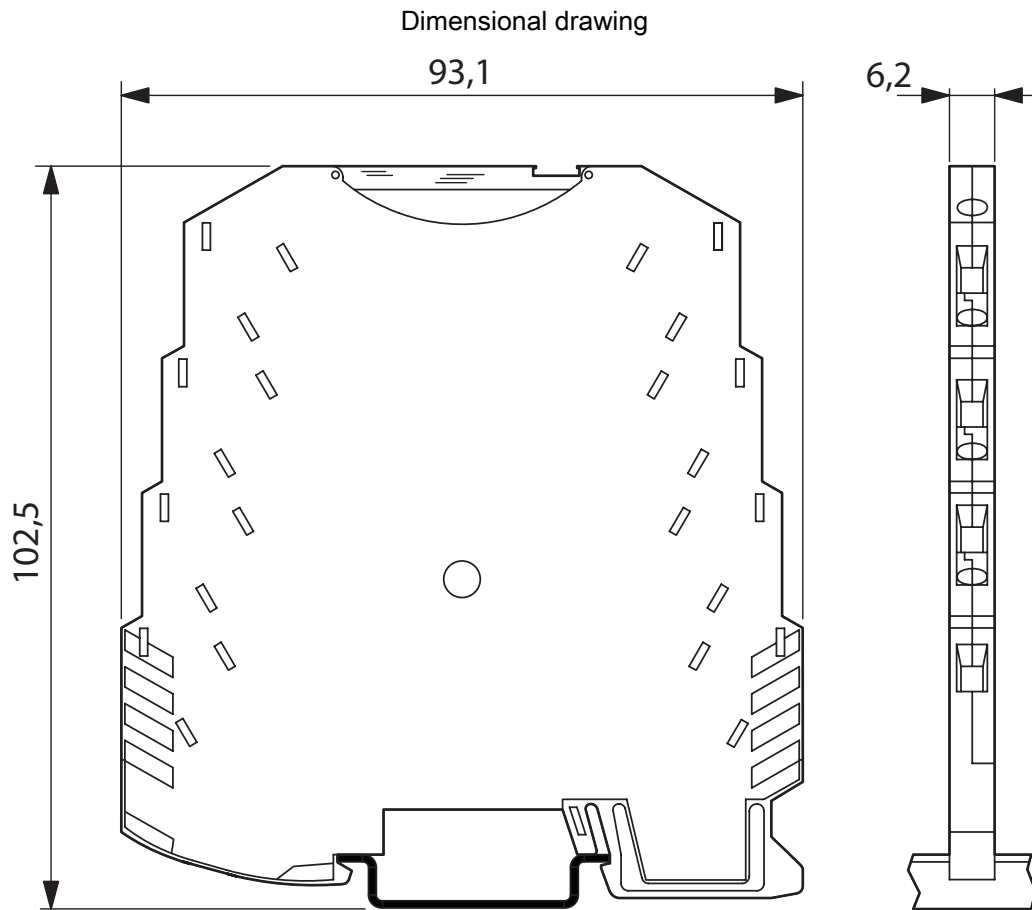
# MINI MCR-BL-UI-UI - Signal conditioner

1070346

<https://www.phoenixcontact.com/in/products/1070346>



## Drawings



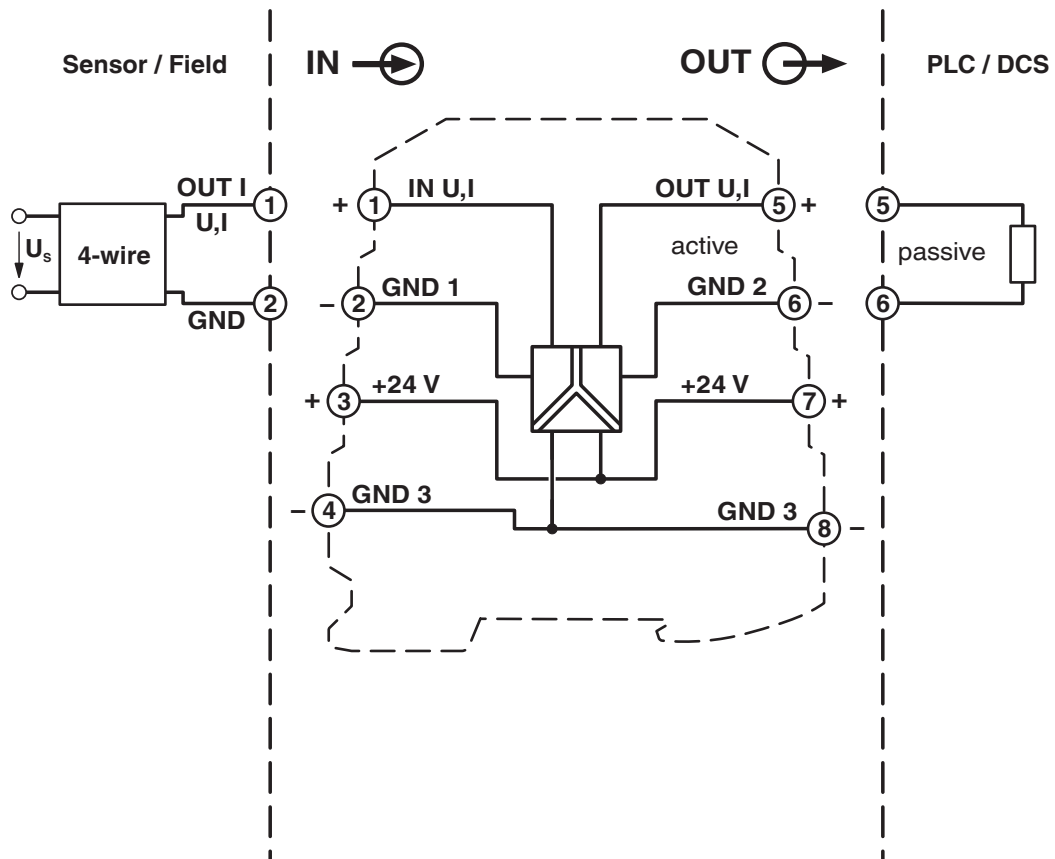
# MINI MCR-BL-UI-UI - Signal conditioner



1070346

<https://www.phoenixcontact.com/in/products/1070346>

Block diagram



# MINI MCR-BL-UI-UI - Signal conditioner



1070346

<https://www.phoenixcontact.com/in/products/1070346>

## Classifications

### ECLASS

ECLASS-13.0	27210120
ECLASS-15.0	27210120

### ETIM

ETIM 9.0	EC002653
----------	----------

### UNSPSC

UNSPSC 21.0	39121000
-------------	----------

1070346

<https://www.phoenixcontact.com/in/products/1070346>

## Environmental product compliance

### EU RoHS

Fulfills EU RoHS substance requirements	Yes
Exemption	6(c), 7(a), 7(c)-I

### China RoHS

Environment friendly use period (EFUP)	EFUP-50
	An article-related China RoHS declaration table can be found in the download area for the respective article under "Manufacturer declaration". For all articles with EFUP-E, no China RoHS declaration table issued and required.

### EU REACH SVHC

REACH candidate substance (CAS No.)	Lead(CAS: 7439-92-1)
	2,2',6,6'-tetrabromo-4,4'-isopropylidenediphenol(CAS: 79-94-7)
SCIP	bf68e761-3686-48cd-98b4-506ed8330281

### EF3.1 Climate Change

CO2e kg	2.153 kg CO2e
---------	---------------



# MINI MCR-BL-UI-UI - Signal conditioner



1070346

<https://www.phoenixcontact.com/in/products/1070346>

## Accessories

### MINI MCR DKL - Transparent cover

2308111

<https://www.phoenixcontact.com/in/products/2308111>



Fold up transparent cover for MINI MCR modules with additional labeling option using insert strips and flat Zack marker strip 6.2 mm

---

### MINI MCR-DKL-LABEL - Marking label

2810272

<https://www.phoenixcontact.com/in/products/2810272>



Label for extended marking of MINI MCR modules in connection with the MINI MCR-DKL

# MINI MCR-BL-UI-UI - Signal conditioner

1070346

<https://www.phoenixcontact.com/in/products/1070346>



## SZS 0,6X3,5 - Screwdriver

1205053

<https://www.phoenixcontact.com/in/products/1205053>



Actuation tool, for ST terminal blocks, insulated, also suitable for use as a bladed screwdriver, size: 0.6 x 3.5 x 100 mm, 2-component grip, with non-slip grip

---

Phoenix Contact 2025 © - all rights reserved

<https://www.phoenixcontact.com>

PHOENIX CONTACT (I) Pvt. Ltd.

A-58/2, Okhla Industrial Area, Phase - II, New Delhi-110 020

+91.1275.71420

[info@phoenixcontact.co.in](mailto:info@phoenixcontact.co.in)