

V23092A1005A201 ✓ ACTIVE

SCHRACK | SCHRACK Slimline PCB Relay SNR

TE Internal #: 1393236-1

Power Relays, General Purpose Power Relay, Monostable, 170 mW

Coil Power Rating DC, 147 Ω Coil Resistance, SCHRACK Slimline

PCB Relay SNR

[View on TE.com >](#)



Relays & Contactors > Relays > Power Relays



Relay Type: **General Purpose Power Relay**

Coil Magnetic System: **Monostable**

Coil Power Rating DC: **170 mW**

Coil Resistance: **147 Ω**

Coil Special Features: **UL Coil Insulation Class F**

Features

Product Type Features

Relay Type	General Purpose Power Relay
------------	-----------------------------

Configuration Features

Insulation Special Features	Tracking Index of Relay Base PTI250
Coil Special Features	UL Coil Insulation Class F
Contact Arrangement	1 Form C (CO)
Contact Number of Poles	1

Electrical Characteristics

Insulation Initial Dielectric Between Contacts & Coil	1000 V
Contact Limiting Making Current	10 A
Contact Limiting Short-Time Current	6 A
Contact Limiting Continuous Current	10 A
Contact Limiting Breaking Current	6 A
Coil Power Rating DC	170 mW
Coil Resistance	147 Ω
Coil Voltage Rating	5 VDC
Contact Current Rating	6 A
Contact Switching Load (Min)	100mA @ 12V
Contact Switching Voltage (Max)	400 VAC



Contact Voltage Rating	250 VAC
------------------------	---------

Body Features

Product Weight	6 g [.2116 oz]
----------------	----------------

Contact Features

Contact Plating Material	Gold
--------------------------	------

Contact Material	AgSnO2
------------------	--------

Termination Features

Relay Connection Type	PCB Termination
-----------------------	-----------------

Terminal Configuration	Solder Pins
------------------------	-------------

Mechanical Attachment

Product Mount Type	Printed Circuit Board
--------------------	-----------------------

Dimensions

Insulation Creepage Between Contact & Coil	8 mm [.315 in]
--	----------------

Product Width	5 mm [.196 in]
---------------	----------------

Product Length	28 mm [1.1 in]
----------------	----------------

Product Height	15 mm [.59 in]
----------------	----------------

Usage Conditions

Environmental Category of Protection	RTIII
--------------------------------------	-------

Environmental Ambient Temperature (Max)	85 °C [185 °F]
---	----------------

Operation/Application

Actuating System	DC
------------------	----

Solder Process	Wave Solder
----------------	-------------

Coil Magnetic System	Monostable
----------------------	------------

Packaging Features

Packaging Method	Box & Tube, Tube
------------------	------------------

Other

Length Class (Mechanical)	25 – 30 mm
---------------------------	------------

Insulation Initial Dielectric Between Coil & Contact Class	3500 – 4000 V
--	---------------

Environmental Ambient Temperature Class	70 – 85 °C
---	------------

Insulation Creepage Class	5.5 – 8 mm
---------------------------	------------

Coil Power Rating Class	150 – 200 mW
-------------------------	--------------

Width Class (Mechanical)	0 – 6 mm
--------------------------	----------

Contact Current Class	16 A
-----------------------	------

Product Compliance

[For compliance documentation, visit the product page on TE.com>](#)

EU RoHS Directive 2011/65/EU	Compliant
EU ELV Directive 2000/53/EC	Compliant
China RoHS 2 Directive MIIT Order No 32, 2016	No Restricted Materials Above Threshold
EU REACH Regulation (EC) No. 1907/2006	Current ECHA Candidate List: JAN 2024 (240) Candidate List Declared Against: JAN 2024 (240) Does not contain REACH SVHC
Halogen Content	Not Low Halogen - contains Br or Cl > 900 ppm.
Solder Process Capability	Wave solder capable to 260°C

Product Compliance Disclaimer

This information is provided based on reasonable inquiry of our suppliers and represents our current actual knowledge based on the information they provided. This information is subject to change. The part numbers that TE has identified as EU RoHS compliant have a maximum concentration of 0.1% by weight in homogenous materials for lead, hexavalent chromium, mercury, PBB, PBDE, DBP, BBP, DEHP, DIBP, and 0.01% for cadmium, or qualify for an exemption to these limits as defined in the Annexes of Directive 2011/65/EU (RoHS2). Finished electrical and electronic equipment products will be CE marked as required by Directive 2011/65/EU. Components may not be CE marked. Additionally, the part numbers that TE has identified as EU ELV compliant have a maximum concentration of 0.1% by weight in homogenous materials for lead, hexavalent chromium, and mercury, and 0.01% for cadmium, or qualify for an exemption to these limits as defined in the Annexes of Directive 2000/53/EC (ELV). Regarding the REACH Regulation, the information TE provides on SVHC in articles for this part number is based on the latest European Chemicals Agency (ECHA) 'Guidance on requirements for substances in articles' posted at this URL: <https://echa.europa.eu/guidance-documents/guidance-on-reach>

Compatible Parts



Also in the Series | [SCHRACK Slimline PCB Relay SNR](#)



Power Relays(53)

Customers Also Bought



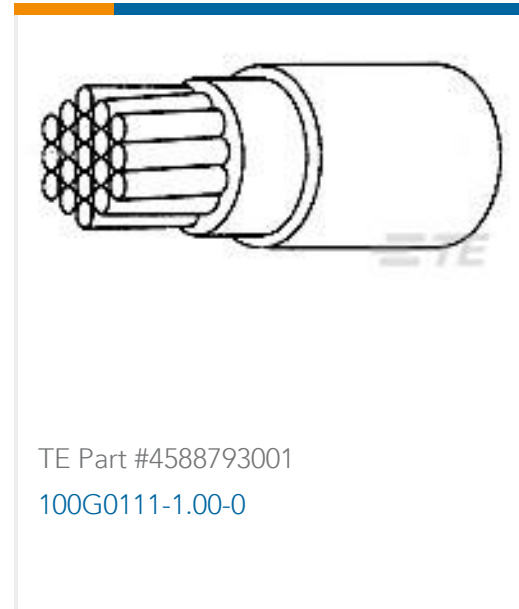
TE Part #350777-4
02P UMNL PLUG HSG UL94V0




TE Part #926869-3
UNIV-MNL SOCKET 1



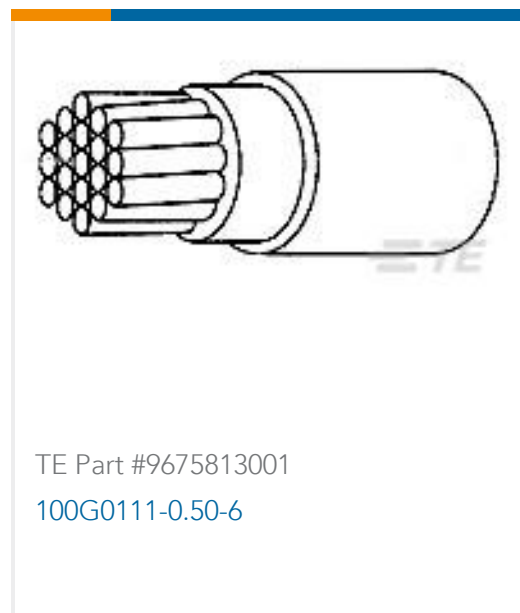
TE Part #9-2176088-5
RP 1J 0.166W 8K66 0.1% 25PPM 1K RL



TE Part #4588793001
100G0111-1.00-0



TE Part #1139353001
100G0111-0.50-0



TE Part #9675813001
100G0111-0.50-6



TE Part #2176089-1
RP 1J 0.166W 10K2 0.1% 25PPM 1K RL



TE Part #1-2372389-0
MICRO MNL, HDR ASSY, SINGLE ROW, AU

Documents

CAD Files

3D PDF

3D

Customer View Model

[ENG_CVM_CVM_1393236-1_B_c-1393236-1-b.2d_dxf.zip](#)

English

Customer View Model

[ENG_CVM_CVM_1393236-1_B_c-1393236-1-b.3d_igs.zip](#)

English

Customer View Model

[ENG_CVM_CVM_1393236-1_B_c-1393236-1-b.3d_stp.zip](#)

English

By downloading the CAD file I accept and agree to the [Terms and Conditions](#) of use.

Datasheets & Catalog Pages

[Slim PCB Relay SNR](#)

English



Product Specifications

Definitions General Purpose Relays

English

Agency Approvals

VDE Certificate

English