

# UM 72-SEFE/R - Lateral element



2959353

<https://www.phoenixcontact.com/in/products/2959353>

Please be informed that the data shown in this PDF document is generated from our online catalog. Please find the complete data in the user documentation. Our general terms of use for downloads are valid.

Side element, right, with foot, width: 5 mm, width: 72 mm, for mounting on NS 32 or NS 35/7.5



## Your advantages

- Easy installation
- Flexible size and shape
- Inexpensive as a result of reducing the number of separate housing parts

## Commercial data

Item number	2959353
Packing unit	10 pc
Minimum order quantity	10 pc
Sales key	ACH
Product key	ACHDBA
Catalog page	Page 756 (C-1-2013)
GTIN	4017918104436
Weight per piece (including packing)	6.65 g
Weight per piece (excluding packing)	6 g
Customs tariff number	39269097
Country of origin	IN

# UM 72-SEFE/R - Lateral element

2959353

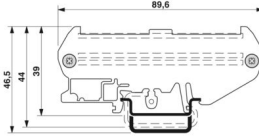
<https://www.phoenixcontact.com/in/products/2959353>

## Technical data

### Product properties

Product type	Panel mounting base side part
Housing type	Press-drawn section housings
Housing series	UM
Product family	UM72
Type	Lateral element (right)
Ventilation openings present	no

### Dimensions

Dimensional drawing	
Width	5 mm
Height	89.6 mm
Depth	37.6 mm

### Material specifications

Color (Housing)	green (RAL 6021)
Flammability rating according to UL 94	V0
Housing material	Polyamide
Surface characteristics	untreated

### Environmental and real-life conditions

#### Ambient conditions

Ambient temperature (operation)	-40 °C ... 105 °C (depending on power dissipation)
Ambient temperature (storage/transport)	-40 °C ... 55 °C
Ambient temperature (assembly)	-5 °C ... 100 °C
Relative humidity (storage/transport)	80 %

### Mounting

Mounting type	DIN rail mounting
---------------	-------------------

# UM 72-SEFE/R - Lateral element

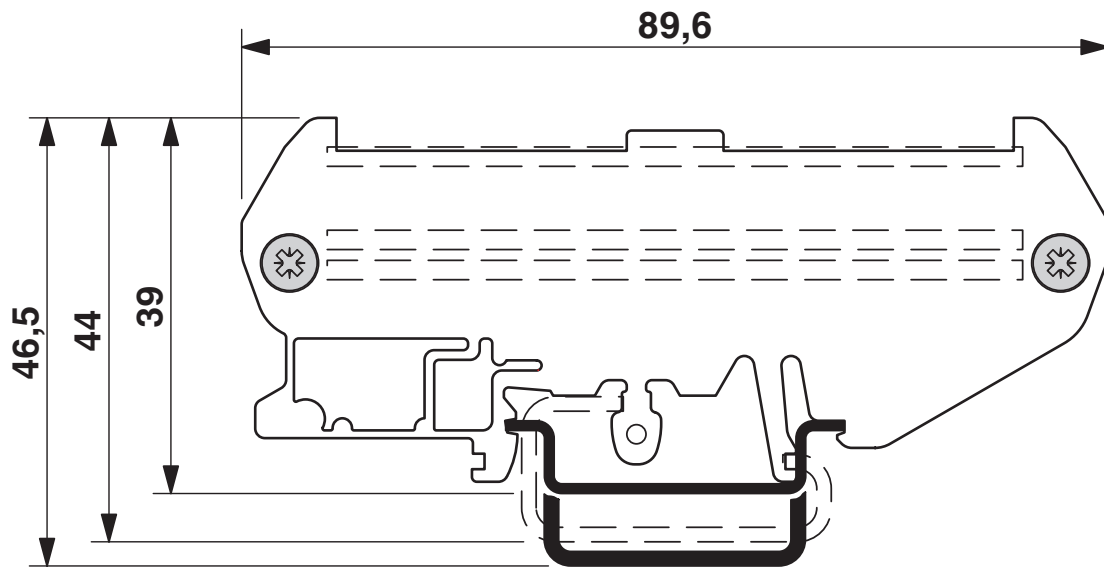
2959353

<https://www.phoenixcontact.com/in/products/2959353>



## Drawings

Dimensional drawing



# UM 72-SEFE/R - Lateral element



2959353

<https://www.phoenixcontact.com/in/products/2959353>

## Approvals

To download certificates, visit the product detail page: <https://www.phoenixcontact.com/in/products/2959353>



**UL Recognized**

Approval ID: FILE E 240868

# UM 72-SEFE/R - Lateral element



2959353

<https://www.phoenixcontact.com/in/products/2959353>

## Classifications

### ECLASS

ECLASS-11.0	27182701
ECLASS-13.0	27190602

### ETIM

ETIM 8.0	EC002779
----------	----------

### UNSPSC

UNSPSC 21.0	31261500
-------------	----------

# UM 72-SEFE/R - Lateral element



2959353

<https://www.phoenixcontact.com/in/products/2959353>

## Environmental product compliance

### EU RoHS

Fulfills EU RoHS substance requirements	Yes, No exemptions
---	--------------------

### China RoHS

Environment friendly use period (EFUP)	EFUP-E
	No hazardous substances above the limits

### EU REACH SVHC

REACH candidate substance (CAS No.)	No substance above 0.1 wt%
-------------------------------------	----------------------------

Phoenix Contact 2024 © - all rights reserved  
<https://www.phoenixcontact.com>

PHOENIX CONTACT (I) Pvt. Ltd.  
A-58/2, Okhla Industrial Area, Phase - II, New Delhi-110 020

+91.1275.71420  
[info@phoenixcontact.co.in](mailto:info@phoenixcontact.co.in)