

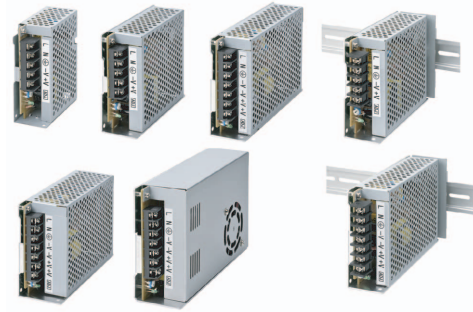
# Switch Mode Power Supply

## S8JC-Z / S8JC-ZS

**S8JC-ZS, newly released Power Supply with CE marking, additional models for economical Power Supply, S8JC-Z series.**

**S8JC-Z/S8JC-ZS is our best standard power supply for**

- material cost reduction
- export machines, required safety standard
- time saving for installation by DIN-rail mounting



## Model Number Structure

### Model Number Legend

**Note:** Not all combinations are possible. Refer to *List of Models in Ordering Information* on page 2.

S8JC-Z         -

1    2    3    4    5    6

#### 1. Conformed standards

None: no standard  
S: CE (EN50178)

#### 2. Power Ratings

015: 15 W  
035: 35 W  
050: 50 W  
100: 100 W  
150: 150 W  
350: 350 W

#### 3. Output Voltage

05: 5 V  
12: 12 V  
24: 24 V  
48: 48 V

#### 4. Configuration

C: Covered

#### 5. Configuration/mounting

None: Bottom-mounting  
D: DIN Rail-mounting

#### 6. Input Voltage

None/AC2: 200 to 240 VAC

## Line-up & Feature

### S8JC-Z series (15/35/50/100/150/350-W models)

Voltage	Power ratings					
	15 W	35 W	50 W	100 W	150 W	350 W
5 V	●	●	●	●	●	New
12 V	●	●	●	●	●	New
24 V	●	●	●	●	●	●
48 V	●	●	●	●	●	—

#### For More application !

- More Output Voltage Specifications from 5 V to 48 V
- Various power rating range from 15 W to 350 W

### S8JC-ZS series (15/35/50/100/150-W models)

Voltage	Power ratings					
	15 W	35 W	50 W	100 W	150 W	350 W
5 V	●	●	●	●	●	New
12 V	●	●	●	●	●	New
24 V	●	●	●	●	●	New

#### For More reliability !

- Conformed to CE marking
- Expanded operating temperature: -20°C to +70°C
- Improved Dielectric strength

# S8JC-Z

## Ordering Information

### List of Models in S8JC-Z Series

**Note:** For details on normal stock models, contact your nearest OMRON representative.

Conformed standard	Configuration		Input voltage	Power ratings	Output voltage	Output current	Model		
None	Covered Power Supplies	Bottom-mounting	200 to 240 VAC	15 W	5 VDC	3.0 A	S8JC-Z01505C		
					12 VDC	1.3 A	S8JC-Z01512C		
					24 VDC	0.7 A	S8JC-Z01524C		
					48 VDC	0.35 A	S8JC-Z01548C		
				35 W	5 VDC	7.0 A	S8JC-Z03505C		
					12 VDC	3.0 A	S8JC-Z03512C		
					24 VDC	1.5 A	S8JC-Z03524C		
					48 VDC	0.75 A	S8JC-Z03548C		
				50 W	5 VDC	10.0 A	S8JC-Z05005C		
					12 VDC	4.2 A	S8JC-Z05012C		
					24 VDC	2.1 A	S8JC-Z05024C		
					48 VDC	1.1 A	S8JC-Z05048C		
				100 W	5 VDC	20.0 A	S8JC-Z10005C		
					12 VDC	8.5 A	S8JC-Z10012C		
					24 VDC	4.5 A	S8JC-Z10024C		
					48 VDC	2.3 A	S8JC-Z10048C		
				150 W	5 VDC	30.0 A	S8JC-Z15005C		
					12 VDC	12.5 A	S8JC-Z15012C		
					24 VDC	6.5 A	S8JC-Z15024C		
					48 VDC	3.3 A	S8JC-Z15048C		
				350 W	5 VDC	50.0 A	S8JC-Z35005C		
					12 VDC	29.0 A	S8JC-Z35012C		
					24 VDC	14.6 A	S8JC-Z35024C		
				DIN Rail-mounting	15 W	15 W	5 VDC	3.0 A	S8JC-Z01505CD
							12 VDC	1.3 A	S8JC-Z01512CD
							24 VDC	0.7 A	S8JC-Z01524CD
							48 VDC	0.35 A	S8JC-Z01548CD
					35 W	35 W	5 VDC	7.0 A	S8JC-Z03505CD
	12 VDC	3.0 A					S8JC-Z03512CD		
	24 VDC	1.5 A					S8JC-Z03524CD		
	48 VDC	0.75 A					S8JC-Z03548CD		
	50 W	50 W			5 VDC	10.0 A	S8JC-Z05005CD		
					12 VDC	4.2 A	S8JC-Z05012CD		
					24 VDC	2.1 A	S8JC-Z05024CD		
					48 VDC	1.1 A	S8JC-Z05048CD		
	100 W	100 W			5 VDC	20.0 A	S8JC-Z10005CD		
					12 VDC	8.5 A	S8JC-Z10012CD		
					24 VDC	4.5 A	S8JC-Z10024CD		
					48 VDC	2.3 A	S8JC-Z10048CD		
	150 W	150 W			5 VDC	30.0 A	S8JC-Z15005CD		
					12 VDC	12.5 A	S8JC-Z15012CD		
					24 VDC	6.5 A	S8JC-Z15024CD		
					48 VDC	3.3 A	S8JC-Z15048CD		
	350 W	350 W			5 VDC	50.0 A	S8JC-Z35005CD		
					12 VDC	29.0 A	S8JC-Z35012CD		
					24 VDC	14.6 A	S8JC-Z35024CD		

## List of Models in S8JC-ZS Series

**Note:** For details on normal stock models, contact your nearest OMRON representative.

Comformed standard	Configuration		Input voltage	Power ratings	Output voltage	Output current	Models	
CE (EN50178)	Covered Power Supplies	Bottom-mounting	200 to 240 VAC	15 W	5 VDC	3.0 A	S8JC-ZS01505C-AC2	
					12 VDC	1.3 A	S8JC-ZS01512C-AC2	
					24 VDC	0.7 A	S8JC-ZS01524C-AC2	
				35 W	5 VDC	7.0 A	S8JC-ZS03505C-AC2	
					12 VDC	3.0 A	S8JC-ZS03512C-AC2	
					24 VDC	1.5 A	S8JC-ZS03524C-AC2	
				50 W	5 VDC	10.0 A	S8JC-ZS05005C-AC2	
					12 VDC	4.2 A	S8JC-ZS05012C-AC2	
					24 VDC	2.1 A	S8JC-ZS05024C-AC2	
				100 W	5 VDC	20.0 A	S8JC-ZS10005C-AC2	
					12 VDC	8.5 A	S8JC-ZS10012C-AC2	
					24 VDC	4.5 A	S8JC-ZS10024C-AC2	
				150 W	5 VDC	30.0 A	S8JC-ZS15005C-AC2	
					12 VDC	12.5 A	S8JC-ZS15012C-AC2	
					24 VDC	6.5 A	S8JC-ZS15024C-AC2	
				350 W	5 VDC	60.0 A	S8JC-ZS35005C-AC2	
					12 VDC	29.0 A	S8JC-ZS35012C-AC2	
					24 VDC	14.6 A	S8JC-ZS35024C-AC2	
		DIN Rail-mounting			15 W	5 VDC	3.0 A	S8JC-ZS01505CD-AC2
						12 VDC	1.3 A	S8JC-ZS01512CD-AC2
						24 VDC	0.7 A	S8JC-ZS01524CD-AC2
					35 W	5 VDC	7.0 A	S8JC-ZS03505CD-AC2
						12 VDC	3.0 A	S8JC-ZS03512CD-AC2
						24 VDC	1.5 A	S8JC-ZS03524CD-AC2
					50 W	5 VDC	10.0 A	S8JC-ZS05005CD-AC2
						12 VDC	4.2 A	S8JC-ZS05012CD-AC2
						24 VDC	2.1 A	S8JC-ZS05024CD-AC2
					100 W	5 VDC	20.0 A	S8JC-ZS10005CD-AC2
						12 VDC	8.5 A	S8JC-ZS10012CD-AC2
						24 VDC	4.5 A	S8JC-ZS10024CD-AC2
					150 W	5 VDC	30.0 A	S8JC-ZS15005CD-AC2
						12 VDC	12.5 A	S8JC-ZS15012CD-AC2
						24 VDC	6.5 A	S8JC-ZS15024CD-AC2
					350 W	5 VDC	60.0 A	S8JC-ZS35005CD-AC2
						12 VDC	29.0 A	S8JC-ZS35012CD-AC2
						24 VDC	14.6 A	S8JC-ZS35024CD-AC2

# S8JC-Z

## Ratings, Characteristics, and Functions

### 15-/35-W Models

Power ratings		15 W							35 W									
		S8JC-Z				S8JC-ZS			S8JC-Z				S8JC-ZS					
Item	Series name	---							CE (EN50178)			---				CE (EN50178)		
Output	Output voltage (VDC)	5 V	12 V	24 V	48 V	5 V	12 V	24 V	5 V	12 V	24 V	48 V	5 V	12 V	24 V			
	Output current	3.0 A	1.3 A	0.7 A	0.35 A	3.0 A	1.3 A	0.7 A	7.0 A	3.0 A	1.5 A	0.75 A	7.0 A	3.0 A	1.5 A			
	Voltage adjustment range (typical)	-10% to 10%							-10% to 10%									
	Ripple (typical)	100 mV			200 mV	70 mV	60 mV	50 mV	100 mV		150 mV	200 mV	40 mV	100 mV	100 mV			
	Startup time (typical)	300 ms				260 ms	270 ms	300 ms	300 ms				240 ms	260 ms	300 ms			
Hold time (typical)	50 ms				50 ms	65 ms	50 ms	30 ms				30 ms	35 ms	40 ms				
Efficiency (typical)		74%	80%	86%	76%	80%	75%	82%	84%	88%	76%	83%	84%					
Input	Voltage	200 to 240 VAC (185 to 264 VAC)							200 to 240 VAC (185 to 264 VAC)									
	Frequency 50/60 Hz (47 to 63 Hz)	50/60 Hz (47 to 64 Hz)							50/60 Hz (47 to 64 Hz)									
	Current (typical)	0.22 A							0.5 A									
	Leakage current	1 mA max.							1 mA max.									
	Inrush current (for a cold start at 25°C) (typical)	40 A							40 A									
Additional functions	Overload protection	105% of rated load current, voltage drop, intermittent, automatic reset							105% of rated load current, voltage drop, intermittent, automatic reset									
	Overvoltage protection	Yes							Yes									
	Parallel operation	No							No									
	Series operation	No							No									
Other	Ambient operating temperature *Refer to the derating curve in Engineering Data	*-10°C to 60°C				*-20°C to 70°C			*-10°C to 60°C				*-20°C to 70°C					
	Dielectric strength (detection current: 20 mA)	Between all inputs and outputs	1.5 kVAC for 1 min.				3 kVAC for 1 min.			1.5 kVAC for 1 min.				3 kVAC for 1 min.				
		Between all inputs and PE terminals	1.5 kVAC for 1 min.				2 kVAC for 1 min.			1.5 kVAC for 1 min.				2 kVAC for 1 min.				
		Between all outputs and PE terminals	0.5 kVAC for 1 min.				1 kVAC for 1 min.			0.5 kVAC for 1 min.				1 kVAC for 1 min.				
	Vibration resistance	10 to 55 Hz, 0.26-mm single amplitude for 2 h each in X, Y, and Z directions							10 to 55 Hz, 0.26-mm single amplitude for 2 h each in X, Y, and Z directions									
	MTBF	135,000 hrs							135,000 hrs									
	Warranty	1 year				2 years			1 year				2 years					
	Output indicator	Yes (Color: Green)							Yes (Color: Green)									
	Dimensions (W×H×D)	Bottom-mounting model	36×97×80 mm							38×98×129 mm								
		DIN Rail-mounting model (See note 3.)	46×97×105 mm							46×98×154 mm								
Weight (typical)	Bottom-mounting model	190 g				200 g			280 g									
	DIN Rail-mounting model	360 g				370 g			450 g									

- Note:**
1. Unless otherwise specified, all parameters are measured with a 230-VAC input, at the rated load, and at an ambient temperature of 25°C.
  2. Ripple and noise are measured at a bandwidth of 20 MHz.
  3. Refer to the dimensional diagrams for details on DIN Rail-mounting Models (excluding terminal blocks and DIN Rail products).

## 50-/100-W Models

Power ratings		50 W							100 W								
Item	Series name	S8JC-Z				S8JC-ZS			S8JC-Z				S8JC-ZS				
Certification		---				CE (EN50178)			---				CE (EN50178)				
Output	Output voltage (VDC)	5 V	12 V	24 V	48 V	5 V	12 V	24 V	5 V	12 V	24 V	48 V	5 V	12 V	24 V		
	Output current	10.0 A	4.2 A	2.1 A	1.1 A	10 A	4.2 A	2.1 A	20 A	8.5 A	4.5 A	2.3 A	20 A	8.5 A	4.5 A		
	Voltage adjustment range (typical)	-10% to 10%							-10% to 10%								
	Ripple (typical)	150 mV		100 mV	200 mV	80 mV	60 mV	50 mV	130 mV	120 mV	100 mV	200 mV	160 mV	140 mV	150 mV		
	Startup time (typical)	300 ms				240 ms	260 ms	300 ms	300 ms		700 ms	600 ms	250 ms	270 ms	300 ms		
	Hold time (typical)	50 ms				35 ms	40 ms	30 ms	50 ms				50 ms	55 ms	50 ms		
Efficiency (typical)		76%	83%	84%	86%	75%	83%	78%	85%	86%	87%	77%	81%	87%			
Input	Voltage	200 to 240 VAC (185 to 264 VAC)							200 to 240 VAC (185 to 264 VAC)								
	Frequency 50/60 Hz (47 to 63 Hz)	50/60 Hz (47 to 64 Hz)							50/60 Hz (47 to 64 Hz)								
	Current (typical)	0.65 A							1.4 A								
	Leakage current	1 mA max.							1 mA max.								
	Inrush current (for a cold start at 25°C) (typical)	40 A							40 A								
Additional functions	Overload protection	105% of rated load current, voltage drop, intermittent, automatic reset							105% of rated load current, voltage drop, intermittent, automatic reset								
	Overvoltage protection	Yes							Yes								
	Parallel operation	No							No								
	Series operation	No							No								
Other	Ambient operating temperature *Refer to the derating curve in Engineering Data	*-10°C to 60°C				*-20°C to 70°C			*-10°C to 60°C				*-20°C to 70°C				
	Dielectric strength (detection current: 20 mA)	Between all inputs and outputs	1.5 kVAC for 1 min.				3 kVAC for 1 min.			1.5 kVAC for 1 min.				3 kVAC for 1 min.			
		Between all inputs and PE terminals	1.5 kVAC for 1 min.				2 kVAC for 1 min.			1.5 kVAC for 1 min.				2 kVAC for 1 min.			
		Between all outputs and PE terminals	0.5 kVAC for 1 min.				1 kVAC for 1 min.			0.5 kVAC for 1 min.				1 kVAC for 1 min.			
	Vibration resistance	10 to 55 Hz, 0.26-mm single amplitude for 2h each in X, Y, and Z directions							10 to 55 Hz, 0.26-mm single amplitude for 2h each in X, Y, and Z directions								
	MTBF	135,000 hrs							135,000 hrs								
	Warranty	1 year				2 years			1 year				2 years				
	Output indicator	Yes (Color: Green)							Yes (Color: Green)								
	Dimensions (W×H×D)	Bottom-mounting model	38×98×129 mm							50×98×159 mm	38×98×159 mm			50×98×159 mm	38×98×159 mm		
		DIN Rail-mounting model (See note 3.)	46×98×154 mm							52×98×185 mm	46×98×185 mm			52×98×186 mm	46×98×186 mm		
Weight (typical)	Bottom-mounting model	280 g							430 g	370 g	350 g	370 g	440 g	380 g	370 g		
	DIN Rail-mounting model	450 g							600 g	540 g	520 g	540 g	620 g	550 g	540 g		

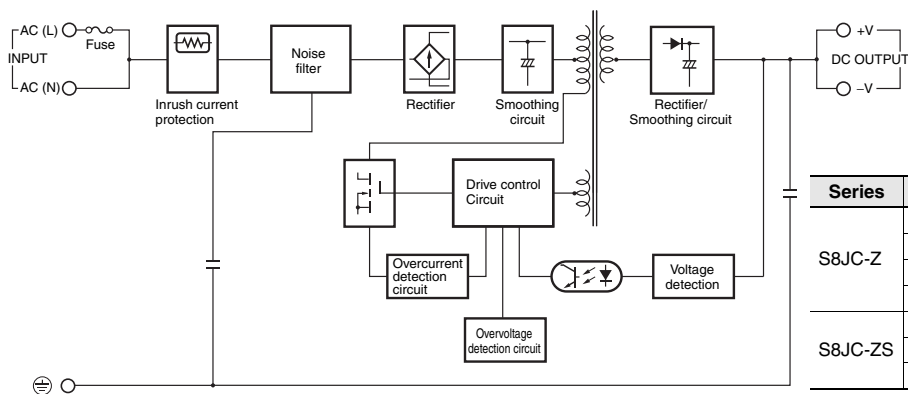
- Note: 1.** Unless otherwise specified, all parameters are measured with a 230-VAC input, at the rated load, and at an ambient temperature of 25°C.  
**2.** Ripple and noise are measured at a bandwidth of 20 MHz.  
**3.** Refer to the dimensional diagrams for details on DIN Rail-mounting Models (excluding terminal blocks and DIN Rail products).

## 150-/350-W Models

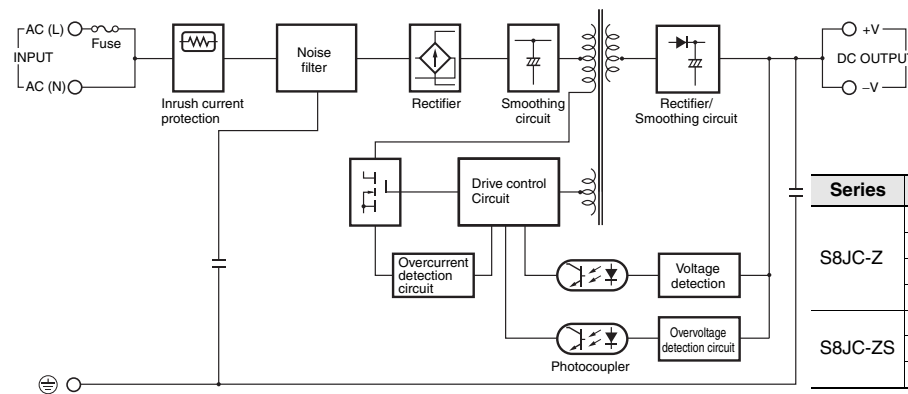
Power ratings		150 W							350 W							
Item	Series name	S8JC-Z				S8JC-ZS			S8JC-Z			S8JC-ZS				
Certification		---				CE (EN50178)			---			CE (EN50178)				
Output	Output voltage (VDC)	5 V	12 V	24 V	48 V	5 V	12 V	24 V	5 V	12 V	24 V	5 V	12 V	24 V		
	Output current	30 A	12.5 A	6.5 A	3.3 A	30 A	12.5 A	4.5 A	50 A	29 A	14.6 A	60 A	29 A	14.6 A		
	Voltage adjustment range (typical)	-10% to 10%							-10% to 10%							
	Ripple (typical)	140 mV	180 mV	150 mV	300 mV	210 mV	210 mV	200 mV	300 mV	240 mV	200 mV	300 mV	240 mV	200 mV		
	Startup time (typical)	300 ms				750 ms	250 ms	750 ms	300 ms	700 ms	700 ms	300 ms	700 ms	700 ms	300 ms	
	Hold time (typical)	50 ms				50 ms	70 ms	60 ms	25 ms							
Efficiency (typical)		79%	85%	88%	86%	79%	85%	87%	77%	78%	84%	75%	78%	84%		
Input	Voltage	200 to 240 VAC (185 to 264 VAC)							200 to 240 VAC (185 to 264 VAC)							
	Frequency 50/60 Hz (47 to 63 Hz)	50/60 Hz (47 to 64 Hz)							40/60 Hz (47 to 64 Hz)							
	Current (typical)	2.0 A							4.2 A							
	Leakage current	1 mA max.							1 mA max.							
	Inrush current (for a cold start at 25°C) (typical)	40 A							40 A							
Additional functions	Overload protection	105% of rated load current, voltage drop, intermittent, automatic reset							105% of rated load current, voltage drop, intermittent, automatic reset							
	Overvoltage protection	Yes							Yes							
	Parallel operation	No							No							
	Series operation	No							No							
Other	Ambient operating temperature *Refer to the derating curve in Engineering Data	*-10°C to 60°C				*-20°C to 70°C			*-10°C to 60°C			*-20°C to 70°C				
	Dielectric strength (detection current: 20 mA)	Between all inputs and outputs	1.5 kVAC for 1 min.				3 kVAC for 1 min.			1.5 kVAC for 1 min.			3 kVAC for 1 min.			
		Between all inputs and PE terminals	1.5 kVAC for 1 min.				2 kVAC for 1 min.			1.5 kVAC for 1 min.			2 kVAC for 1 min.			
		Between all outputs and PE terminals	0.5 kVAC for 1 min.				1 kVAC for 1 min.			0.5 kVAC for 1 min.			1 kVAC for 1 min.			
	Vibration resistance	10 to 55 Hz, 0.26-mm single amplitude for 2h each in X, Y, and Z directions							10 to 55 Hz, 0.26-mm single amplitude for 2h each in X, Y, and Z directions							
	MTBF	135,000 hrs							135,000 hrs							
	Warranty	1 year				2 years			1 year			2 year				
	Output indicator	Yes (Color: Green)							Yes (Color: Green)							
	Dimensions (W×H×D)	Bottom-mounting model	43×98×199 mm	50×98×159 mm				43×98×199 mm	50×98×159 mm			50×115×195 mm				
		DIN Rail-mounting model (See note 3.)	46×98×225 mm	52×98×185 mm				46×98×226 mm	52×98×186 mm			52×115×221 mm				
Weight (typical)	Bottom-mounting model	580 g	530 g	450 g		560 g	530 g	450 g	753 g	766 g	750 g	788 g	800 g	774 g		
	DIN Rail-mounting model	750 g	700 g	620 g		750 g	700 g	620 g	911 g	924 g	920 g	946 g	958 g	932 g		

- Note:**
- Unless otherwise specified, all parameters are measured with a 230-VAC input, at the rated load, and at an ambient temperature of 25°C.
  - Ripple and noise are measured at a bandwidth of 20 MHz.
  - Refer to the dimensional diagrams for details on DIN Rail-mounting Models (excluding terminal blocks and DIN Rail products).

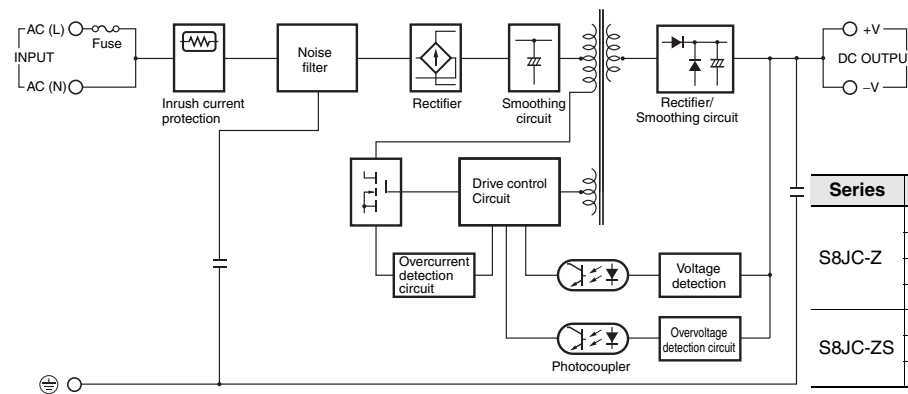
# Block Diagrams



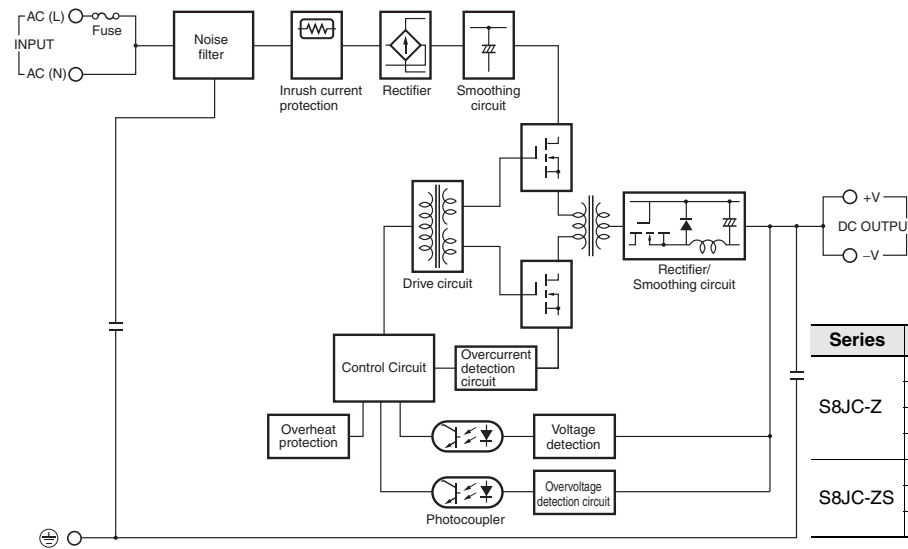
Series	Voltage	15 W	35 W	50 W	100 W	150 W	350 W
S8JC-Z	5 V	●	●	●	●		
	12 V	●	●	●	●	●	
	24 V	●	●	●	●	●	
	48 V	●	●	●			
S8JC-ZS	5 V	●					
	12 V	●					
	24 V	●					



Series	Voltage	15 W	35 W	50 W	100 W	150 W	350 W
S8JC-Z	5 V						
	12 V						
	24 V						
	48 V				●	●	
S8JC-ZS	5 V		●	●	●		
	12 V		●	●	●	●	
	24 V		●	●	●	●	



Series	Voltage	15 W	35 W	50 W	100 W	150 W	350 W
S8JC-Z	5 V					●	
	12 V						
	24 V						●
	48 V						
S8JC-ZS	5 V					●	
	12 V						
	24 V						●

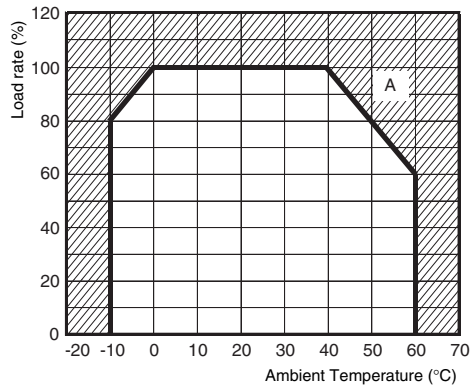


Series	Voltage	15 W	35 W	50 W	100 W	150 W	350 W
S8JC-Z	5 V						●
	12 V						●
	24 V						
	48 V						
S8JC-ZS	5 V						●
	12 V						●
	24 V						

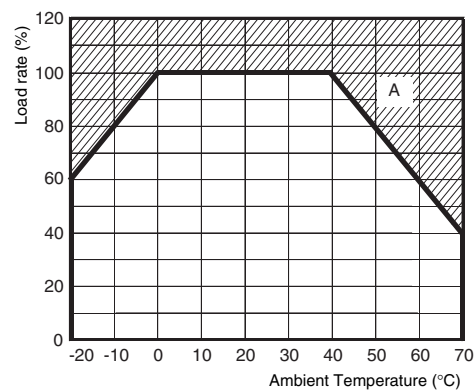
# S8JC-Z

## Engineering Data

### Derating Curves for S8JC-Z



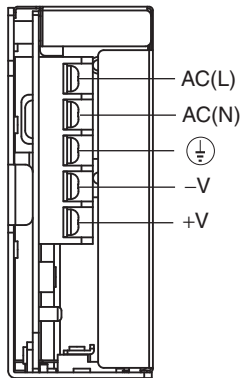
### Derating Curves for S8JC-ZS



- Note:**
- Internal parts may occasionally deteriorate or be damaged. Do not use the Power Supply in areas outside the derating curve (i.e., the area shown by shading "A" in the above graph).
  - If there is a derating problem, use forced air-cooling.

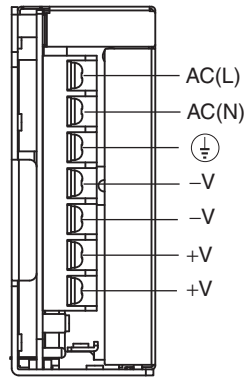
## Terminal Arrangement

### 15-/35-/50-W Models



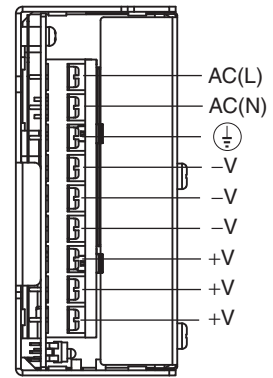
**Note:** The S8JC-Z05024C is shown above.

### 100-/150-/350(24 V)-W Models



- Note:**
- The S8JC-Z10024C is shown above.
  - The rated current for output terminals is 25 A per terminal. Be sure to use multiple terminals simultaneously for current that exceeds the terminal rating. When applying a current of 25 A or more, use at least two terminals each for the positive and negative wires.

### 350(5 V, 12 V)-W Models

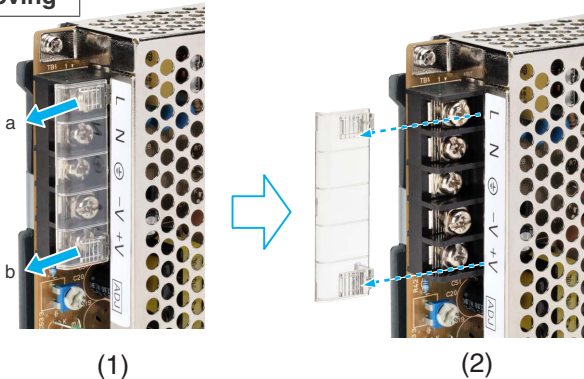


**Note:** The S8JC-Z35005C is shown above.

## Terminal Cover Fitting

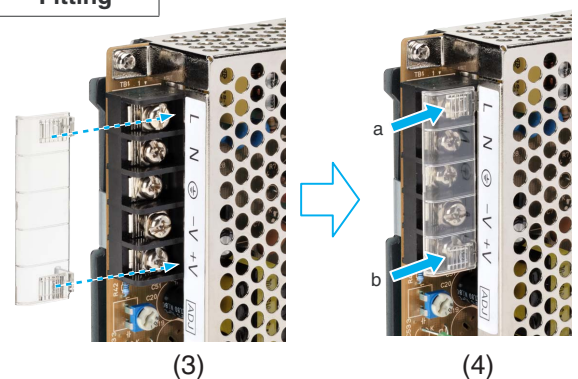
### S8JC-ZS□□□□C Models

#### Removing



### S8JC-ZS□□□□C Models

#### Fitting



- In (1) case, please push scratched parts (a, b) on the cover following the arrow "←"  
 In (2) case, please remove the cover following the arrow "←·····"  
 In (3) case, please remove the cover following the arrow "←·····"  
 In (4) case, please push scratched parts (a, b) on the cover following the arrow "→"

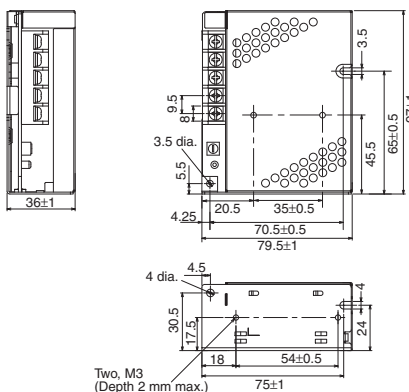


# Dimensions

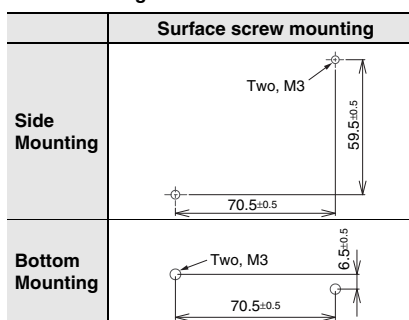
## Bottom-mounting Models

S8JC-Z015□□C (15 W)

S8JC-ZS015□□C-AC2 (15 W)



### Panel mounting holes dimensions



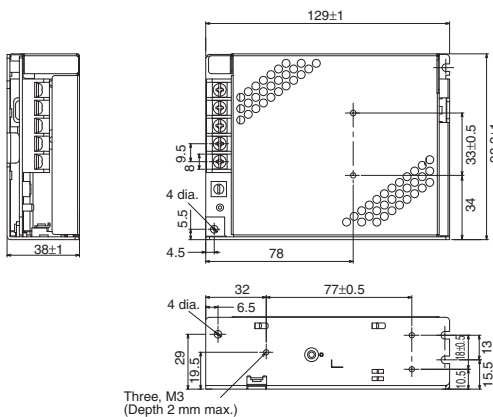
**Note:** The screws must not protrude more than 2 mm inside the Power Supply when screw holes provided on the chassis are used. If the dimensions are not correct, the Power Supply may be damaged.

S8JC-Z035□□C (35 W)

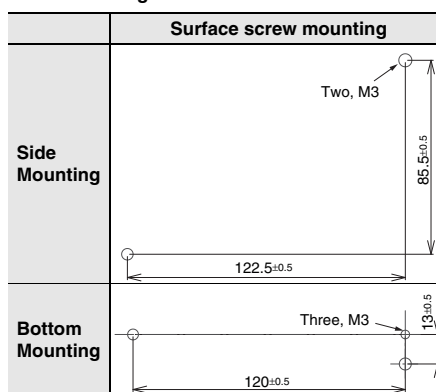
S8JC-ZS035□□C-AC2 (35 W)

S8JC-Z050□□C (50 W)

S8JC-ZS050□□C-AC2 (50 W)



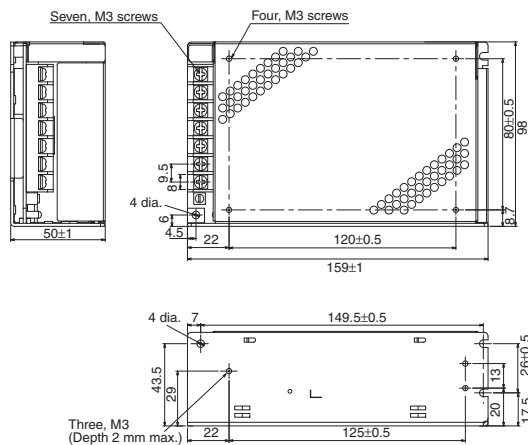
### Panel mounting holes dimensions



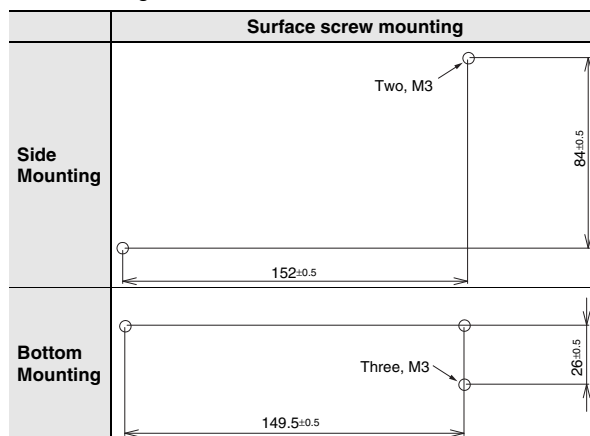
# S8JC-Z

S8JC-Z10005C (100 W)

S8JC-ZS10005C-AC2 (100 W)

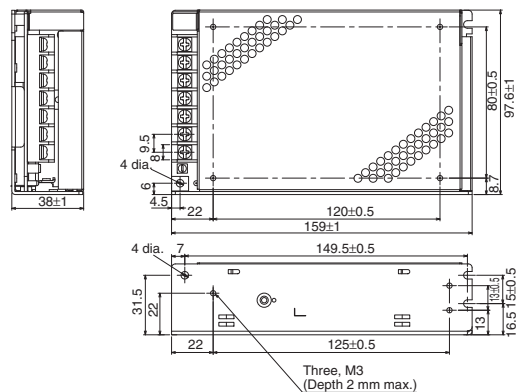


### Panel mounting holes dimensions

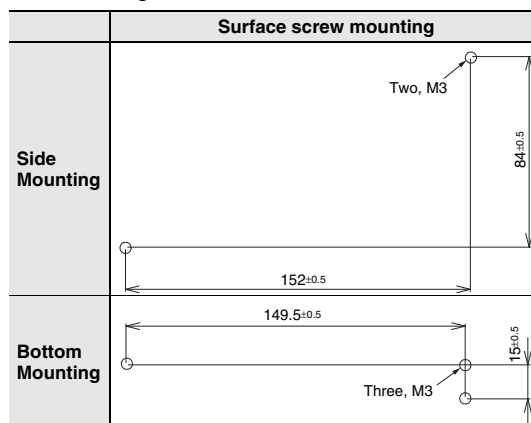


S8JC-Z10012C (100 W)  
S8JC-Z10024C (100 W)  
S8JC-Z10048C (100 W)

S8JC-ZS10012C-AC2 (100 W)  
S8JC-ZS10024C-AC2 (100 W)



### Panel mounting holes dimensions

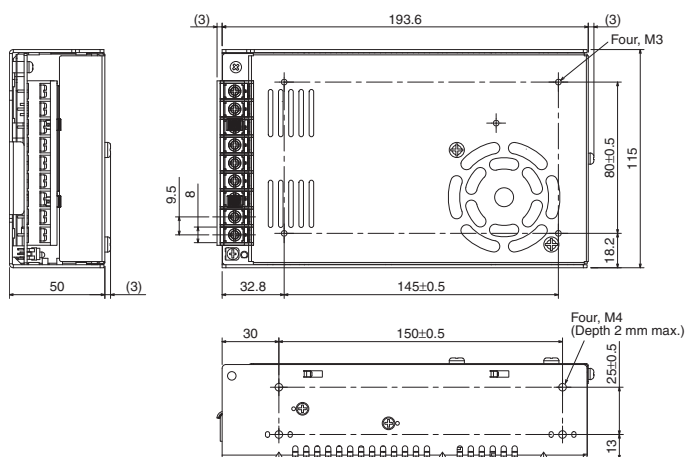




# S8JC-Z

S8JC-Z35005C (350 W)  
S8JC-Z35012C (350 W)

S8JC-ZS35005C-AC2 (350 W)  
S8JC-ZS35012C-AC2 (350 W)

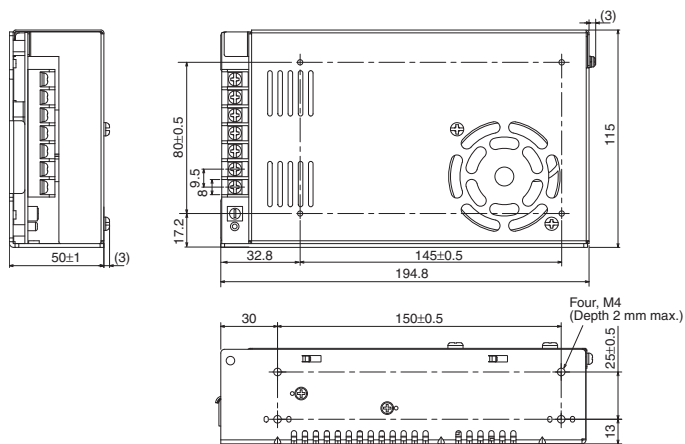


## Panel mounting holes dimensions

Surface screw mounting	
Side Mounting	Four, M3 145±0.5 80±0.5
	Four, M4 150±0.5 25±0.5

S8JC-Z35024C (350 W)

S8JC-ZS35024C-AC2 (350 W)

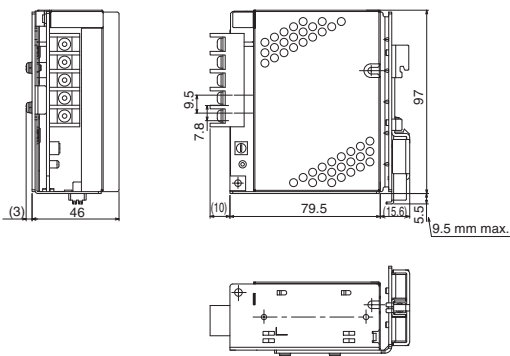
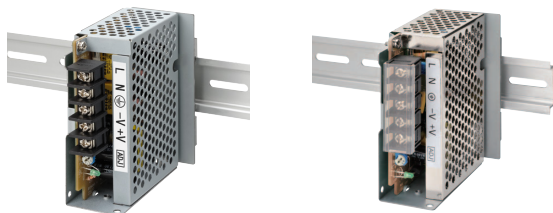


## Panel mounting holes dimensions

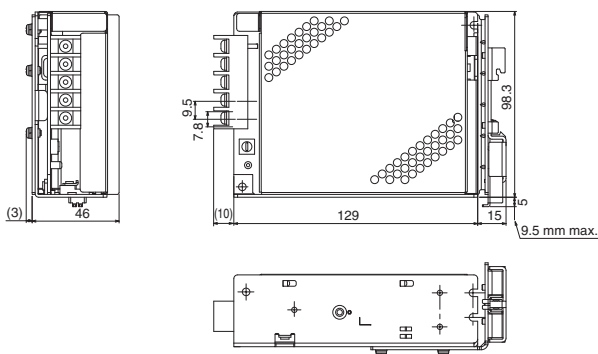
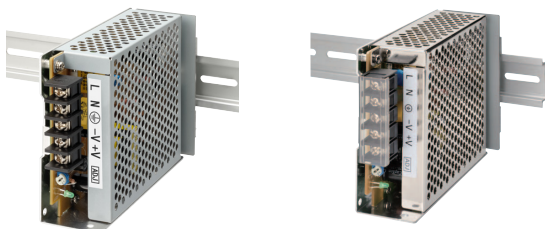
Surface screw mounting	
Side Mounting	Four, M3 145±0.5 80±0.5
	Four, M4 150±0.5 25±0.5

DIN Rail-mounting Models

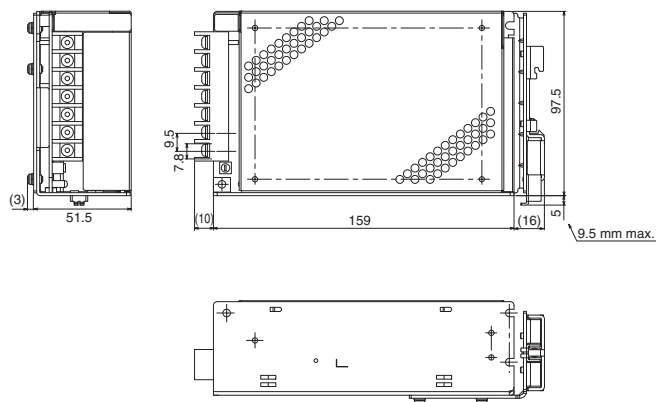
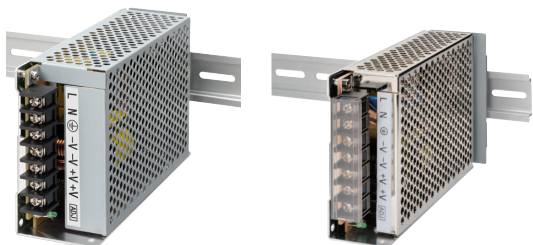
S8JC-Z015□□CD (15 W) S8JC-ZS01524CD-AC2 (15 W)



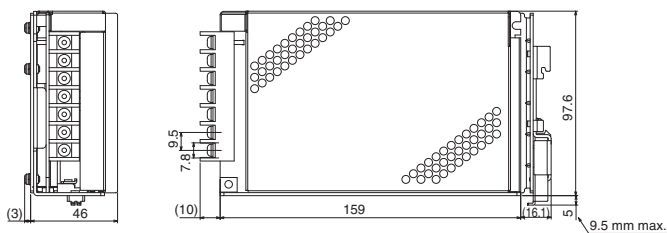
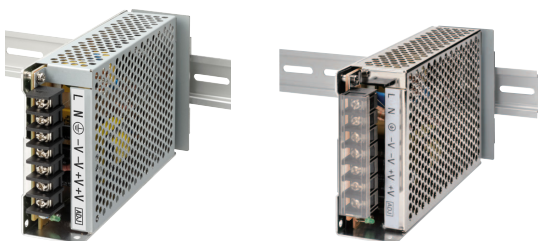
S8JC-Z035□□CD (35 W) S8JC-ZS035□□CD-AC2 (35 W)  
 S8JC-Z050□□CD (50 W) S8JC-ZS050□□CD-AC2 (50 W)



S8JC-Z10005CD (100 W) S8JC-ZS10005CD-AC2 (100 W)



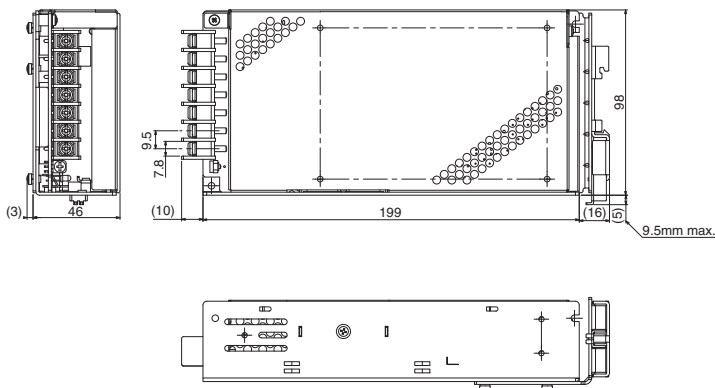
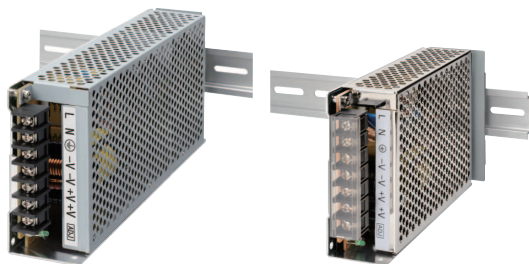
S8JC-Z10012CD (100 W) S8JC-ZS10012CD-AC2 (100 W)  
 S8JC-Z10024CD (100 W) S8JC-ZS10024CD-AC2 (100 W)  
 S8JC-Z10048CD (100 W)



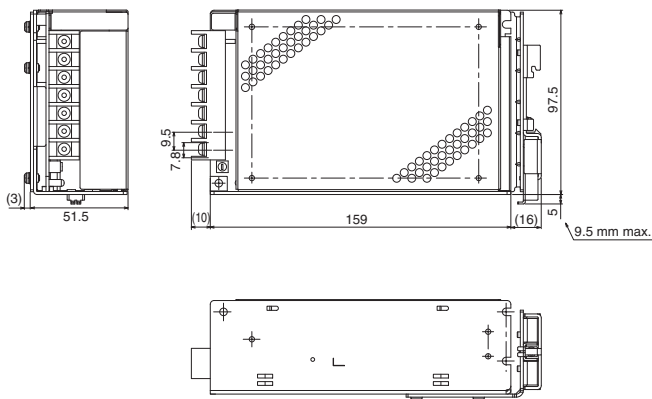
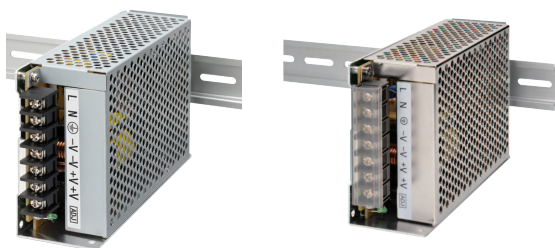


# S8JC-Z

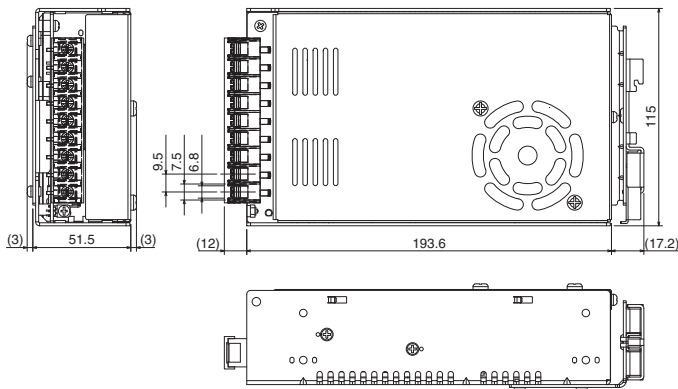
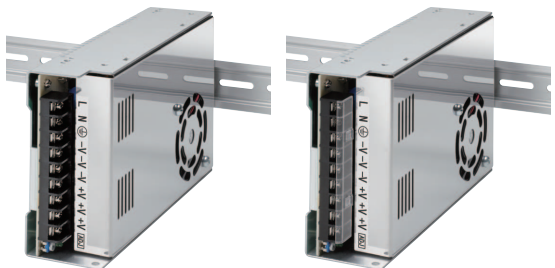
**S8JC-Z15005CD (150 W) S8JC-ZS15005CD-AC2 (150W)**



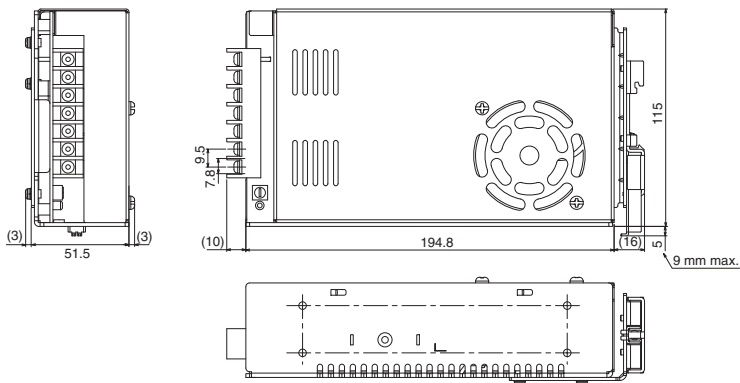
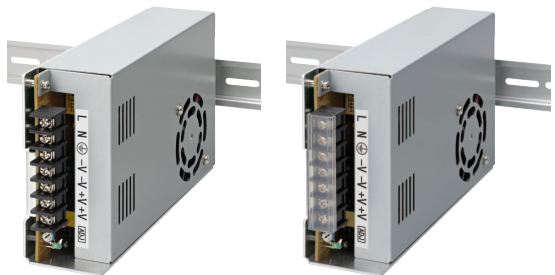
**S8JC-Z15012CD (150 W) S8JC-ZS15012CD-AC2 (150 W)**  
**S8JC-Z15024CD (150 W) S8JC-ZS15024CD-AC2 (150 W)**  
**S8JC-Z15048CD (150 W)**



**S8JC-Z35005CD (350 W) S8JC-ZS35005CD-AC2 (350 W)**  
**S8JC-Z35012CD (350 W) S8JC-ZS35012CD-AC2 (350 W)**



**S8JC-Z35024CD (350 W) S8JC-ZS35024CD-AC2 (350 W)**



## Safety Precautions

---

### Refer to *Safety Precautions for All Power Supplies*.

#### Precautions for Safe Use

- Minor burns may occasionally occur. Do not touch the Product while power is being supplied or immediately after power is turned OFF.
- Minor injury due to electric shock may occasionally occur. Do not touch the terminals while power is being supplied.
- Take adequate measures to ensure proper heat dissipation to increase the long-term reliability of the Product.
- Connect the ground completely. Electric shock or malfunction may occur if the ground is not connected completely.
- The service life of the fan is approximately 35,000 hours (at 25°C). The service life varies, however, depending on the ambient temperature or other surrounding environmental conditions such as dust. As a guide, replace the product within two years if it is used at an ambient temperature of 40°C. (For 350-W Models only.)
- The screws must not protrude more than 2 mm inside the Power Supply when screw holes provided on the chassis are used.
- Avoid places where the product is subjected to penetration of liquid, foreign substance, or corrosive gas (in particular, sulfide gas or ammonia gas).
- The rated current for output terminals is 25 A per terminal. Be sure to use multiple terminals simultaneously for current that exceeds the terminal rating. When applying a current of 25 A or more, use at least two terminals each for the positive and negative wires.

## Read and Understand this Catalog

Please read and understand this catalog before purchasing the product. Please consult your OMRON representative if you have any questions or comments.

## Warranty and Limitations of Liability

### WARRANTY

OMRON's exclusive warranty is that the products are free from defects in materials and workmanship for a period of one year (or other period if specified) from date of sale by OMRON.

OMRON MAKES NO WARRANTY OR REPRESENTATION, EXPRESS OR IMPLIED, REGARDING NON-INFRINGEMENT, MERCHANTABILITY, OR FITNESS FOR PARTICULAR PURPOSE OF THE PRODUCTS. ANY BUYER OR USER ACKNOWLEDGES THAT THE BUYER OR USER ALONE HAS DETERMINED THAT THE PRODUCTS WILL SUITABLY MEET THE REQUIREMENTS OF THEIR INTENDED USE. OMRON DISCLAIMS ALL OTHER WARRANTIES, EXPRESS OR IMPLIED.

### LIMITATIONS OF LIABILITY

OMRON SHALL NOT BE RESPONSIBLE FOR SPECIAL, INDIRECT, OR CONSEQUENTIAL DAMAGES, LOSS OF PROFITS, OR COMMERCIAL LOSS IN ANY WAY CONNECTED WITH THE PRODUCTS, WHETHER SUCH CLAIM IS BASED ON CONTRACT, WARRANTY, NEGLIGENCE, OR STRICT LIABILITY.

In no event shall the responsibility of OMRON for any act exceed the individual price of the product on which liability is asserted.

IN NO EVENT SHALL OMRON BE RESPONSIBLE FOR WARRANTY, REPAIR, OR OTHER CLAIMS REGARDING THE PRODUCTS UNLESS OMRON'S ANALYSIS CONFIRMS THAT THE PRODUCTS WERE PROPERLY HANDLED, STORED, INSTALLED, AND MAINTAINED AND NOT SUBJECT TO CONTAMINATION, ABUSE, MISUSE, OR INAPPROPRIATE MODIFICATION OR REPAIR.

## Application Considerations

### SUITABILITY FOR USE

OMRON shall not be responsible for conformity with any standards, codes, or regulations that apply to the combination of products in the customer's application or use of the products.

Take all necessary steps to determine the suitability of the product for the systems, machines, and equipment with which it will be used.

Know and observe all prohibitions of use applicable to this product.

NEVER USE THE PRODUCTS FOR AN APPLICATION INVOLVING SERIOUS RISK TO LIFE OR PROPERTY WITHOUT ENSURING THAT THE SYSTEM AS A WHOLE HAS BEEN DESIGNED TO ADDRESS THE RISKS, AND THAT THE OMRON PRODUCTS ARE PROPERLY RATED AND INSTALLED FOR THE INTENDED USE WITHIN THE OVERALL EQUIPMENT OR SYSTEM.

### PROGRAMMABLE PRODUCTS

OMRON shall not be responsible for the user's programming of a programmable product, or any consequence thereof.

## Disclaimers

### CHANGE IN SPECIFICATIONS

Product specifications and accessories may be changed at any time based on improvements and other reasons.

It is our practice to change model numbers when published ratings or features are changed, or when significant construction changes are made. However, some specifications of the products may be changed without any notice. When in doubt, special model numbers may be assigned to fix or establish key specifications for your application on your request. Please consult with your OMRON representative at any time to confirm actual specifications of purchased products.

### DIMENSIONS AND WEIGHTS

Dimensions and weights are nominal and are not to be used for manufacturing purposes, even when tolerances are shown.

### PERFORMANCE DATA

Performance data given in this catalog is provided as a guide for the user in determining suitability and does not constitute a warranty. It may represent the result of OMRON's test conditions, and the users must correlate it to actual application requirements. Actual performance is subject to the OMRON Warranty and Limitations of Liability.

#### OMRON ASIA PACIFIC PTE. LTD.

No. 438A Alexandra Road # 05-05/08 (Lobby 2),  
Alexandra Technopark, Singapore 119967  
Tel: (65) 6835-3011/Fax: (65) 6835-2711

#### OMRON (CHINA) CO., LTD.

Room 2211, Bank of China Tower,  
200 Yin Cheng Zhong Road,  
PuDong New Area, Shanghai, 200120, China  
Tel: (86) 21-5037-2222/Fax: (86) 21-5037-2200

#### Authorized Distributor:

© OMRON Corporation 2009 All Rights Reserved.  
In the interest of product improvement,  
specifications are subject to change without notice.

CSM\_1\_8\_0712  
Cat. No. T044-E1-07

Printed in Japan  
0712