



**Appearance & Shape:** To be free from any defect such as flow, burrs, unevenness etc; as per IEC standards

**Effective parameters irrespective of material grade (per set)**

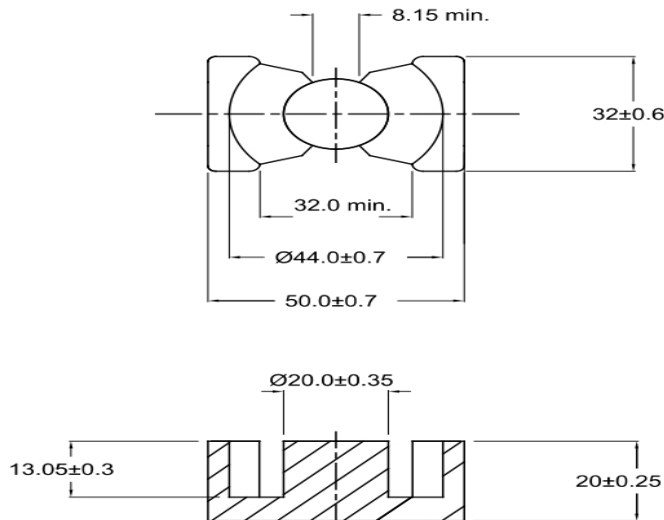
Parameter	Value	Unit
Effective Length ( $L_e$ )	93	mm
Effective Area ( $A_e$ )	334	mm <sup>2</sup>
Effective Area ( $A_{Min}$ )	314	mm <sup>2</sup>
Effective Volume ( $V_e$ )	31062	mm <sup>3</sup>
Approx. Weight (without gap)	170	g/set



**PQ5050 Un-gapped (OL)**

**Test Conditions: 1kHz/1mT/CFR COIL,N=100/25°C**

Material Grade	Initial Permeability ( $\mu_{iac}$ )	AL Value (nH)/Set	$P_v$ (W/set)	Ordering code
CF139	2100 ±20%	8200 +30%/-20%	≤3.10 (100mT,100kHz,100°C)	CF139 PQ5040 OL



Remarks: Value of “G” is Zero (0) for Un-Gapped Cores, for Gapped Cores the value of “G” varies as per the Gap/AL value

For general terms and conditions please visit

[http://www.cosmoferrites.com/Downloads/Downloads/bcb70e7c-ae33-40ec-a881-0d5120db57b6\\_GTC.pdf](http://www.cosmoferrites.com/Downloads/Downloads/bcb70e7c-ae33-40ec-a881-0d5120db57b6_GTC.pdf)

**Regd. Office & Works: Jabli, Distt. Solan, Himachal Pradesh – 173 209 (India)**

**E-mail: sales@cosmoferrites.com**